

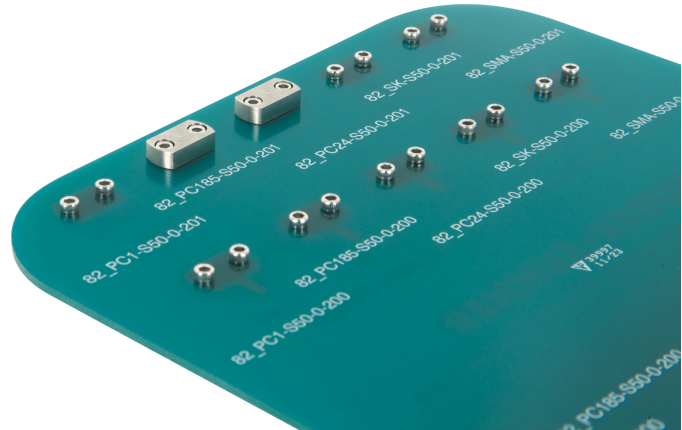
Accessories

Board stiffener for straight PCB jacks (female)

73_Z-0-0-1089

Properties

- Broad selection of RF connector accessories
- Easy to work with
- Simplified and quick installation
- High availability of products
- Avoids bending of PCB



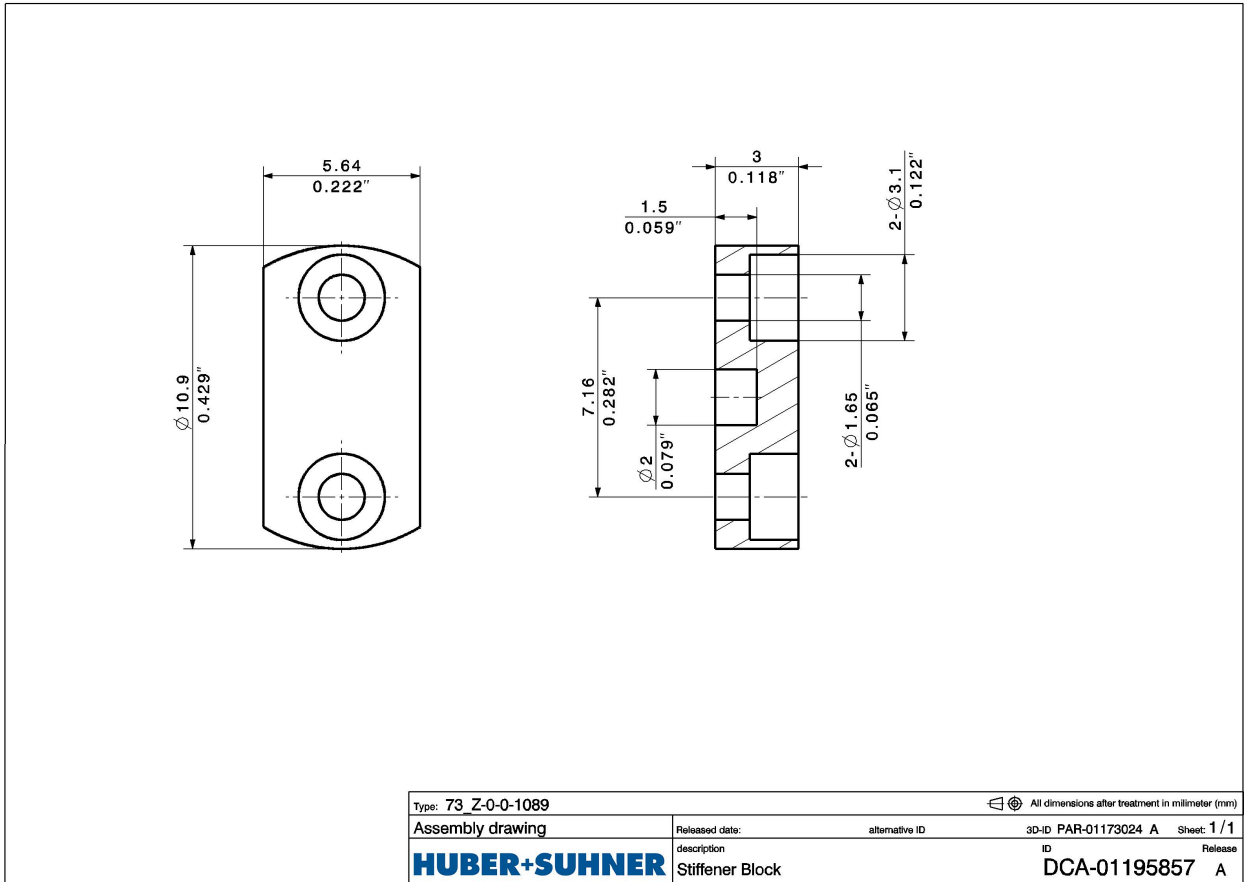
General data		
Technology	Radio Frequency	
Remarks	Board stiffener for straight PCB jacks (female) Fits all connectors series Avoids bending of PCB	
Mechanical data		
Weight	1.1 g	
Body	Stainless steel / Passivated (Plating)	
Ordering Information Table		
Item number	Item description	Packaging type
85221634	73_Z-0-0-1089/--9_-Z	Bulk 10 pcs

Accessories

Board stiffener for straight PCB jacks (female)

73_Z-0-0-1089

Outline drawing



HUBER+SUHNER is certified by ISO 9001, ISO 14001, ISO 45001, IATF 16949, AS/EN 9100 and ISO/TS 22163-IRIS. Waiver: Facts and figures herein are for information only and do not represent any warranty of any kind. DOCUMENT PIM-P56142 / Date of publication: 21.04.2026 / uncontrolled copy