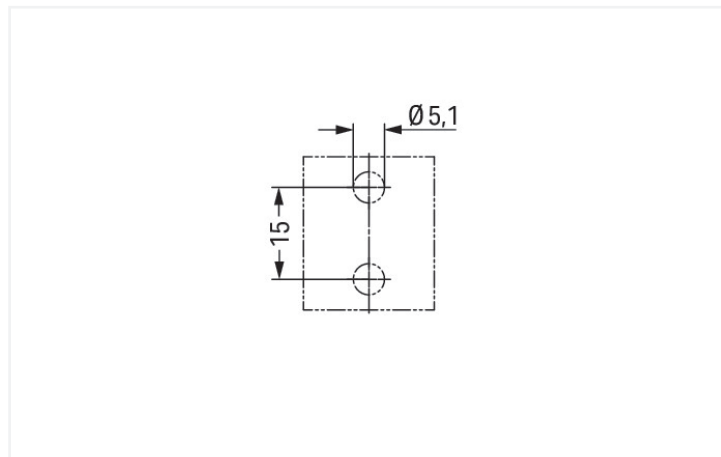


Data Sheet | Item Number: 890-623

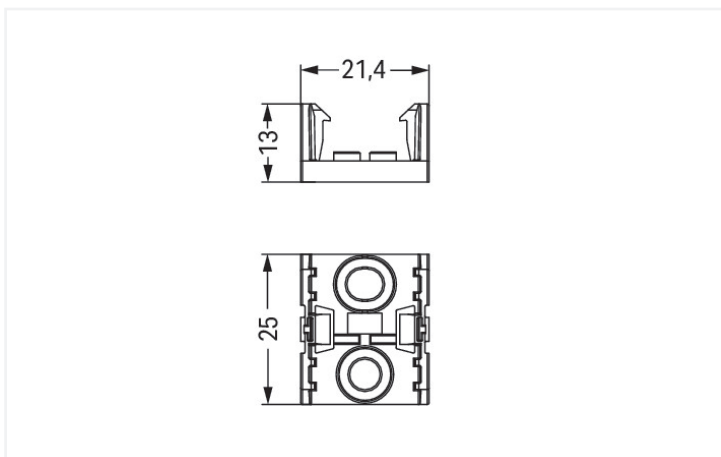
Mounting plate; 3-pole; for distribution connectors; Plastic; black

<https://www.wago.com/890-623>



Color: ■ black

Dimensions in mm



Dimensions in mm

Mounting accessories WINSTA® MINI 3-pole

Realize the electrical installation easily and quickly: The mounting accessories from the WINSTA® MINI product line is the product of your choice for error-free electrical installation. An extensive range of accessories complements the WINSTA® product line from WAGO. Thanks to its particularly compact dimensions, our WINSTA® MINI Pluggable Connection System with Push-in CAGE CLAMP® spring pressure connection technology is very suitable in very tight spaces, i.e., for connections when very little room is available.

WINSTA® MINI solutions for your electrical installation – protected against mismatching and maintenance-free

WINSTA® is the pluggable connection system that is ideally tailored to the strict requirements of electrical installation. It ensures error-free installation of cables and components, quickly and reliably. Choose quality and durability – with protection against mismatching from WAGO makes the installation of electrical components noticeably easier.

- easy tool-free operation, a wide range of coding options
- rapid, structured electrical installation

Notes

General safety information

NOTICE: Observe installation and safety instructions!

- Nur von Elektrofachkraft oder einer für die Tätigkeit elektrisch unterwiesenen Person (EUP nach DIN VDE 0105-100) anzuwenden!
- Nicht unter Spannung/Last installieren!
- Nur für bestimmungsgemäßen Gebrauch einsetzen!
- Nationale Vorschriften/Normen/Richtlinien beachten!
- Technische Daten der Produkte beachten!
- Auf die richtige Polbelegung achten!
- Keine beschädigten/verschmutzten Komponenten verwenden!
- Leiterarten, -querschnitte, Abisolierlängen und Leitungsdurchmesser beachten!
- Leiter bis zum Anschlag einführen!
- Nur mit Verriegelungsklinke und Zugentlastung verwenden!
- Originalzubehör verwenden!

To be sold only with installation instructions!

Connection Data

Connection 1

Pole number	3
-------------	---

Physical data

Width	21.4 mm / 0.843 inches
Height	13 mm / 0.512 inches
Depth	25 mm / 0.984 inches

Mechanical data

Mounting type	Screw mount
Suitable	for distribution connectors (except T-distribution connectors); 3-pole

Material data

Note (material data)	Information on material specifications can be found here
Color	black
Insulation material (main housing)	Polyamide (PA66)
Flammability class per UL94	V0
Fire load	0.057 MJ
Weight	1.9 g

Environmental requirements

Processing temperature	-5 ... +40 °C
Continuous operating temperature	-35 ... +85 °C
Note on continuous operating temperature	Insulating parts for temperatures ≤ 105 °C

Commercial data

Product Group	20 (Winsta)
PU (SPU)	50 pcs
Packaging type	Box
Country of origin	DE
GTIN	4045454684594
Customs tariff number	39269097900

Product Classification

UNSPSC	39121321
eCl@ss 10.0	27-44-06-92
eCl@ss 9.0	27-44-06-92
ETIM 9.0	EC002863
ETIM 10.0	EC002863
ECCN	NO US CLASSIFICATION

Environmental Product Compliance

RoHS Compliance Status	Compliant, No Exemption
------------------------	-------------------------

Approvals / Certificates

Approvals for marine applications



Approval	Standard	Certificate Name
LR Lloyds Register	EN 61535	08/20047 (E2)

Downloads




Environmental Product Compliance

Compliance Search	
Environmental Product Compliance 890-623	↓

Documentation

Bid Text			
890-623	11.03.2015	doc 21.50 KB	↓
890-623	19.02.2019	xml 2.55 KB	↓

CAD/CAE-Data

CAD data	CAE data
2D/3D Models 890-623 	WSCAD Universe 890-623 
	ZUKEN Portal 890-623 

Subject to changes. Please also observe the further product documentation!

Current addresses can be found at: www.wago.com