

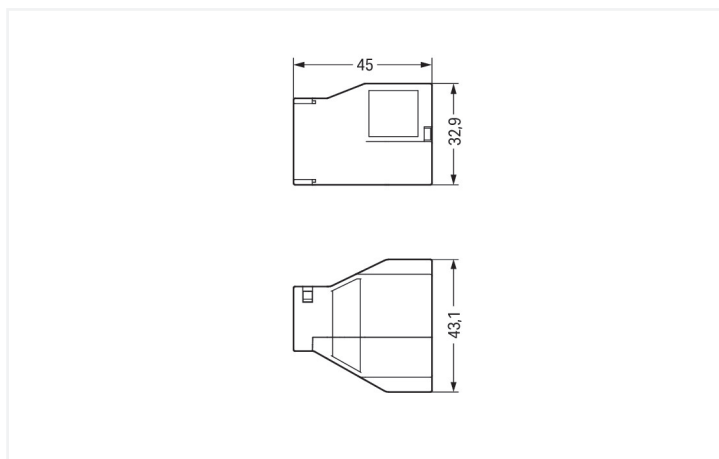
Data Sheet | Item Number: 770-507/047-000

Strain relief housing; 7-pole; with locking clip; for 1 cable; 8.0 ... 15.0 mm; 55 mm; black

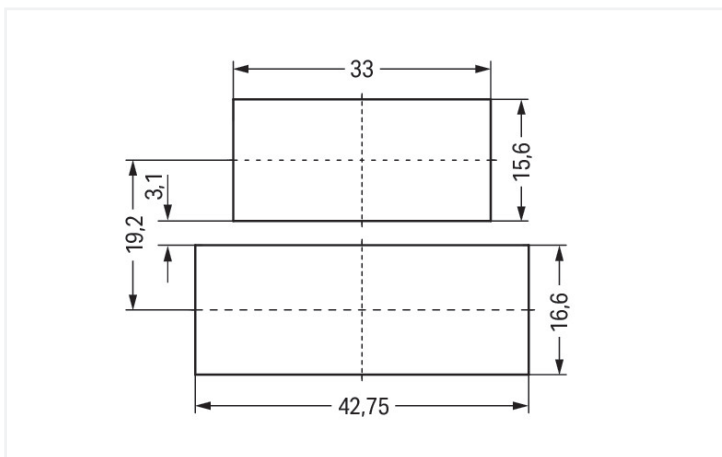
<https://www.wago.com/770-507/047-000>



Color: ■ black



Dimensions in mm



Dimensions in mm

## Strain relief housing WINSTA® MIDI 7-pole

The strain relief housing from the WINSTA® MIDI product line is the best solution for trouble-free installation. An extensive range of accessories complements the WINSTA® product line from WAGO. The WINSTA® MIDI Pluggable Connection System with Push-in CAGE CLAMP® spring pressure connection technology facilitates safe electrification. Due to the integrated test slot, connections can be checked even when they are plugged in. This saves time, labor, and money. The strip length is 55 mm.

Lower costs through fast commissioning and elimination of service expenses – solutions from WINSTA® MIDI

The WINSTA® Pluggable Connection System allows pluggable electrical installation. This saves time, lowers costs, and reduces the need for servicing. Take advantage of the pluggable version of our maintenance-free spring pressure connection technology too! Plan your installation with with protection against mismatching from WAGO.

- for automation controllers
- quick replacement of defective units during ongoing operation

## Notes

General safety information

**NOTICE: Observe installation and safety instructions!**

1. Only to be used by a qualified electrician or by a person electrically instructed for the task (EIP per DIN VDE 0105-100).
2. Do not install while energized or under load.
3. Use only for its intended purpose.
4. Observe applicable national regulations, standards and directives.
5. Observe the technical specifications of the products.
6. Ensure correct polarity assignment.
7. Do not use damaged or contaminated components.
8. Observe conductor types, conductor cross-sections, strip lengths and cable diameters.
9. Insert conductors up to the stop.
10. Use only with locking lever and strain relief.
11. Use original accessories only.

**To be sold only with installation instructions!**

## Connection Data

## Connection 1

|                                     |             |
|-------------------------------------|-------------|
| Pole number                         | 7           |
| Connectable sheathed cable diameter | 8 ... 15 mm |
| Strip length (outer insulation)     | 55 mm       |

## Physical data

|             |                        |
|-------------|------------------------|
| Pin spacing | 10 mm / 0.394 inches   |
| Width       | 43.1 mm / 1.697 inches |
| Height      | 32.9 mm / 1.295 inches |
| Depth       | 45 mm / 1.772 inches   |

## Material data

|                                    |  |
|------------------------------------|--|
| Note (material data)               | <a href="#">Information on material specifications can be found here</a> |
| Color                              | black  |
| Insulation material (main housing) | Polyamide (PA66)   |
| Flammability class per UL94        | V0   |
| Fire load                          | 0.366 MJ   |
| Weight                             | 12.9 g   |

| Environmental requirements               |  |
|--|--|
| Processing temperature                   | -5 ... +40 °C                              |
| Continuous operating temperature         | -35 ... +85 °C                             |
| Note on continuous operating temperature | Insulating parts for temperatures ≤ 105 °C |

| Commercial data       |               |
|-----------------------|---------------|
| PU (SPU)              | 200 pcs       |
| Packaging type        | Box           |
| Country of origin     | DE            |
| GTIN                  | 4045454554453 |
| Customs tariff number | 39269097900   |

| Product Classification |                      |
|------------------------|----------------------|
| UNSPSC                 | 39121421             |
| eCl@ss 10.0            | 27-44-06-92          |
| eCl@ss 9.0             | 27-44-06-92          |
| ETIM 9.0               | EC002863             |
| ETIM 10.0              | EC002863             |
| ECCN                   | NO US CLASSIFICATION |

| Environmental Product Compliance |                         |
|----------------------------------|-------------------------|
| RoHS Compliance Status           | Compliant, No Exemption |

### Approvals / Certificates

#### Approvals for marine applications



| Approval              | Standard  | Certificate Name |
|-----------------------|-----------|------------------|
| LR<br>Lloyds Register | IEC 61984 | LR22429487TA     |

### Downloads

#### Environmental Product Compliance

| Compliance Search                                   |                   |
|---|-------------------|
| Environmental Product Compliance<br>770-507/047-000 | <a href="#">↓</a> |

## Documentation

### Bid Text

|                 |            |                 |   |
|-----------------|------------|-----------------|---|
| 770-507/047-000 | 19.02.2019 | xml<br>2.82 KB  | ↓ |
| 770-507/047-000 | 06.01.2015 | doc<br>23.50 KB | ↓ |

## CAD/CAE-Data

### CAD data

2D/3D Models  
770-507/047-000



### CAE data

WSCAD Universe  
770-507/047-000



## 1 Compatible Products

### 1.1 Optional Accessories

#### 1.1.1 Marking

##### 1.1.1.1 Marking strip

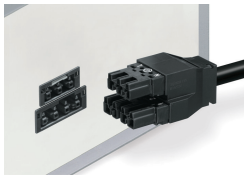


#### Item No.: 210-333

Marking strips; as a DIN A4 sheet; Strip width 6 mm; Strip length 182 mm; plain; Self-adhesive; white

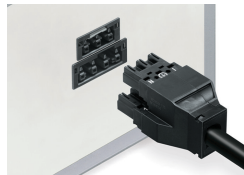
## Installation Notes

### Application



Snap-on type strain relief housings for:

- 3-pole socket or plug
- 4-pole socket or plug



"Flying leads"

(NOTICE: Only use locking levers on upper position!)



"Flying leads"