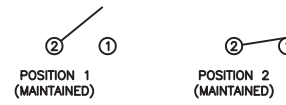


SCHEMATIC



SPECIFICATIONS

FUNCTION:
1P1T OFF-ON

RATINGS:
ANSI/UL 1054:
20A 125VAC [cURus]
16A 250VAC [cURus]
1/3HP 125/250VAC [cURus]
3/4HP 125/250VAC [cURus]

CONTACT RESISTANCE:
Initial: 20mΩ Max.

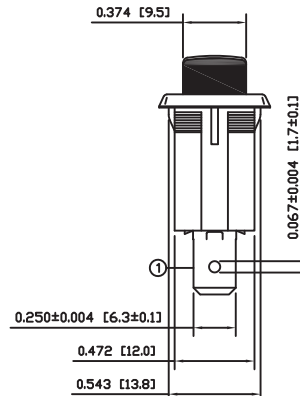
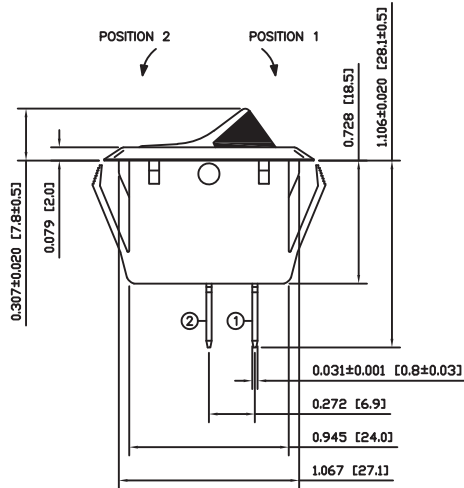
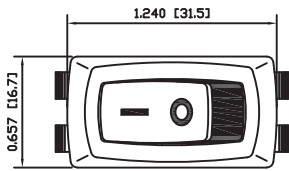
INSULATION RESISTANCE:
100MΩ Min. at 500VDC

DIELECTRIC STRENGTH:
1,000VAC for 1 Minute

ELECTRICAL LIFE:
6,000 Cycles [cURus]

TEMPERATURE:
Operating: -20°C to 105°C [cURus]

APPROVALS:



COLORS AND MARKINGS

BODY:
Black

ACTUATOR:
Black/Red

MARKINGS:
I/O Vertical (1)

MARKING COLOR:
Red

MATERIALS

BODY:
Polyamide 6/6 (PA66), UL94 V-2

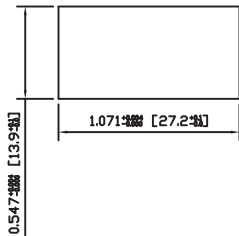
ACTUATOR:
Polyamide 6/6 (PA66), UL94 V-2

SPRING:
Steel

CONTACTS:
Silver Plated Copper

TERMINALS:
Silver Plated Copper
Silver Plated Brass

SUGGESTED PANEL CUTOUT



OBJECT ID: 00000345

ACTUATOR	A	09/08/13	CAB
BODY	B	10/05/10	CAB
COLORS	A	09/08/13	CAB
MATERIALS	A	09/08/13	CAB
SPECIFICATIONS	B	10/01/27	CAB
REFERENCE	REV.	DATE	BY

THE INFORMATION CONTAINED IN THIS DOCUMENT IS PROPRIETARY TO E-SWITCH AND IS NOT TO BE COPIED OR TRANSFERRED

C	REMOVE VDE/ENEC RATING AND LOGO	100551	01/25/22	JS
B	UPDATED RATING ADDING 1/3HP 125/250VAC	23174	01/19/18	MJR
A	INITIAL RELEASE	1941B	11/09/10	CAB
REV.	DESCRIPTION	PCR	DATE	DRAWN BY

DIMENSIONS	
INCHES [MILLIMETERS]	
GENERAL TOLERANCES	
±0.008 [±0.2] / ±1"	
SCALE	PROJECTION
DRAWING NOT TO SCALE	1st Angle

RSC341D1A81			
ITEM NUMBER	DATE	REVISION	
14-RSC341D1A81	NOVEMBER 9, 2010	C	