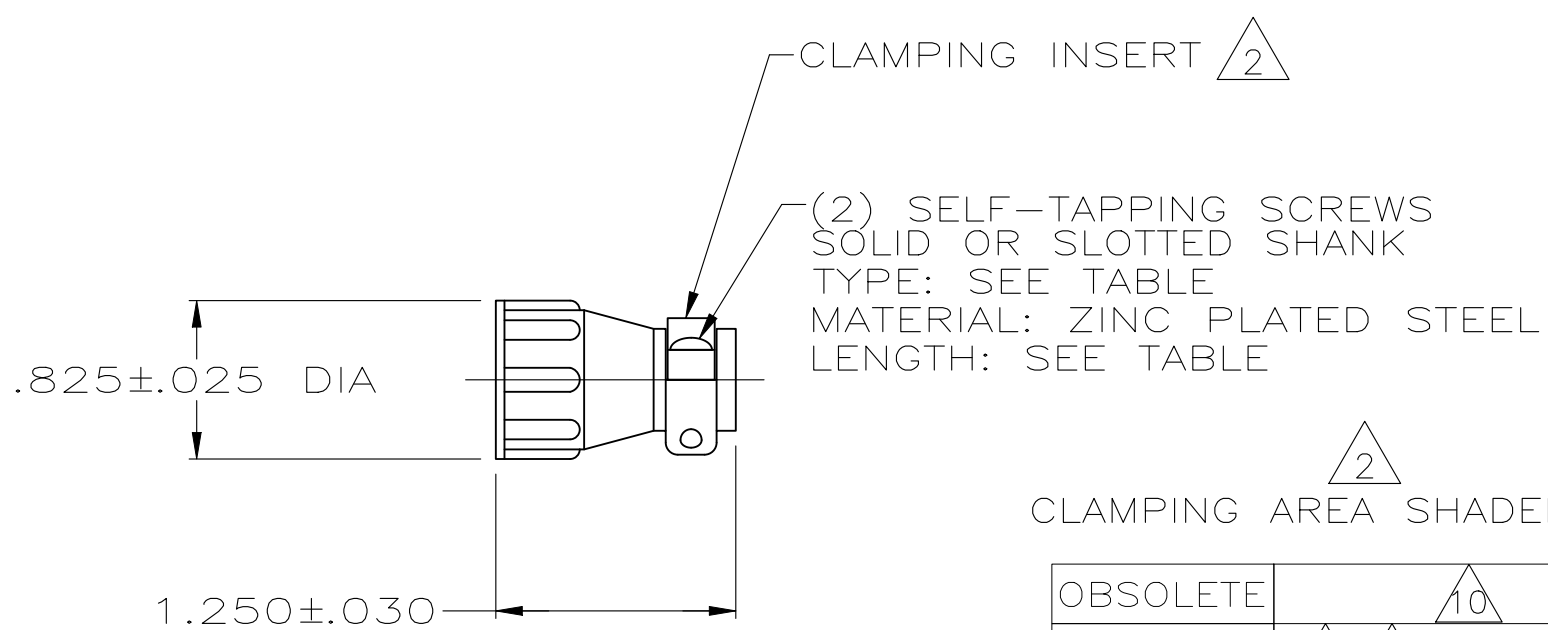


REVISIONS

P	LTR	DESCRIPTION	DATE	DWN	APVD
	Y	REVISED PER ECR-26-271876	26MAR2026	MA	JFS



- 1 PARTS PACKAGED UNASSEMBLED.
- 2 CABLE CLAMPING AREA ADJUSTABLE FROM .004 TO .055 SQ IN BY REVERSING CLAMPING INSERTS.
- 3 .329 MAXIMUM CABLE OUTSIDE DIAMETER.
- 4 BULK PACKAGED KITS TO BE ORDERED IN MULTIPLES OF 800 ONLY.
- 5 OBSOLETE PART NUMBER.
- 6 STAINLESS STEEL (NON MAGNATIC).
- 7 CABLE CLAMP WITH NON-MAGNETIC STAINLESS STEEL SCREWS.
- 8 ZINC PLATED STEEL, NON-HEXAVALENT CHROMATE.

DESCRIPTION	PACKAGING	SCREW FINISH	SCREW LENGTH	SCREW TYPE	PART NUMBER
OBSOLETE	<del>10</del>	<del>8</del>	<del>.50<sup>+</sup>.00<sub>-</sub>.05</del>	<del>#5-20</del>	<del>2-206062-0</del>
OBSOLETE	<del>7 4 BULK</del>	<del>6</del>	<del>.50<sup>+</sup>.00<sub>-</sub>.05</del>	<del>#5-20</del>	<del>1-206062-9</del>
	<del>4 BULK</del>	<del>8</del>	<del>.50<sup>+</sup>.00<sub>-</sub>.05</del>	<del>#5-20</del>	<del>1-206062-7</del>
	<del>INDIVIDUAL</del>	<del>8</del>	<del>.38<sup>+</sup>.00<sub>-</sub>.05</del>	<del>#5-20</del>	<del>1-206062-6</del>
	<del>4 BULK</del>	<del>8</del>	<del>.38<sup>+</sup>.00<sub>-</sub>.05</del>	<del>#5-20</del>	<del>1-206062-5</del>
	<del>INDIVIDUAL</del>	<del>8</del>	<del>.50<sup>+</sup>.00<sub>-</sub>.05</del>	<del>#5-20</del>	<del>1-206062-4</del>
	<del>INDIVIDUAL</del>	<del>8</del>	<del>.62<sup>+</sup>.00<sub>-</sub>.05</del>	<del>#5-20</del>	<del>1-206062-3</del>
	<del>INDIVIDUAL</del>	<del>6</del>	<del>.50<sup>+</sup>.00<sub>-</sub>.05</del>	<del>#5-20</del>	<del>1-206062-2</del>
SUPERSEDED BY 1-206062-3	INDIVIDUAL	8	.62 <sup>+</sup> .00 <sub>-</sub> .05	#5-20	1-206062-1
<del>9</del> OBSOLETE	<del>SMALL PACK</del>	<del>8</del>	<del>.38<sup>+</sup>.00<sub>-</sub>.05</del>	<del>#5-20</del>	<del>1-206062-0</del>
AMP BRAZIL USE ONLY	INDIVIDUAL		12mm <sup>+</sup> .0 <sub>-</sub> .8	3mm-20	<del>5</del> 206062-9
AMP BRAZIL USE ONLY	INDIVIDUAL		10mm <sup>+</sup> .0 <sub>-</sub> .8	3mm-20	<del>5</del> 206062-8
SUPERSEDED BY 1-206062-7	<del>4 BULK</del>	<del>8</del>	<del>.50<sup>+</sup>.00<sub>-</sub>.05</del>	<del>#5-20</del>	<del>206062-4</del>
SUPERSEDED BY 1-206062-4	<del>INDIVIDUAL</del>	<del>8</del>	<del>.50<sup>+</sup>.00<sub>-</sub>.05</del>	<del>#5-20</del>	<del>206062-3</del>
SUPERSEDED BY 1-206062-5	<del>4 BULK</del>	<del>8</del>	<del>.38<sup>+</sup>.00<sub>-</sub>.05</del>	<del>#5-20</del>	<del>206062-2</del>
SUPERSEDED BY 1-206062-6	<del>INDIVIDUAL</del>	<del>8</del>	<del>.38<sup>+</sup>.00<sub>-</sub>.05</del>	<del>#5-20</del>	<del>206062-1</del>
	PACKAGING	SCREW FINISH	SCREW LENGTH	SCREW TYPE	PART NUMBER

~~9~~ OBSOLETE PARTS: OBSOLETE CIS STREAMLINING PER D.RENAUD/D.SINISI

~~10~~ SPECIAL PACKAGING CONSISTING OF 1 KIT PER INDIVIDUAL BAG, 20 INDIVIDUAL BAGS PER LARGER BAG, 5 LARGER BAGS PER SHIPPER BOX.

THIS DRAWING IS A CONTROLLED DOCUMENT.		DWN A GRAFF 4/29/91	TE Connectivity CABLE CLAMP KIT, STANDARD, SHELL SIZE 11, CPC		
DIMENSIONS: INCHES		CHK W.G.LENKER 7-22-92			
TOLERANCES UNLESS OTHERWISE SPECIFIED:		APVD -	NAME		
0 PLC ± -		PRODUCT SPEC -	APPLICATION SPEC		
1 PLC ± -		APPLIC. SPEC -	SIZE	CAGE CODE	DRAWING NO
2 PLC ± -		MATERIAL THERMOPLASTIC	WEIGHT -	A300779	C-206062
3 PLC ± -		FINISH -	RESTRICTED TO		
4 PLC ± -			CUSTOMER DRAWING		
ANGLES ± -			SCALE	SHEET	REV
			NTS	1 OF 1	Y