

INCH-POUND

MIL-M-38510/20D  
6 July 2005  
SUPERSEDING  
MIL-M-38510/20A  
20 November 1972  
MIL-M-0038510/20C(USAF)  
1 May 1974

MILITARY SPECIFICATION

MICROCIRCUITS, DIGITAL, TTL, LOW POWER, NAND GATES, MONOLITHIC SILICON

Inactive for new design after 7 September 1995.

This specification is approved for use by all Departments and Agencies of the Department of Defense.

The requirements for acquiring the product herein shall consist of this specification sheet and MIL-PRF 38535

1. SCOPE

1.1 Scope. This specification covers the detail requirements for monolithic, silicon, TTL, low power positive NAND logic gating microcircuits. Two product assurance classes and a choice of case outlines and lead finishes are provided for each type and are reflected in the complete part number. For this product, the requirements of MIL-M-38510 have been superseded by MIL-PRF-38535, (see 6.4).

1.2 Part or Identifying Number (PIN). The PIN is in accordance with MIL-PRF-38535 and as specified herein.

1.2.1 Device types. The device types are as follows:

<u>Device type</u>	<u>Circuit</u>
01	Single, 8-input positive NAND gate
02	Dual, 4-input positive NAND gate
03	Triple, 3-input positive NAND gate
04	Quadruple, 2-input positive NAND gate
05	Hex, 1-input inverter gate
06	Quadruple, 2-input positive NAND gate (open collector)

1.2.2 Device class. The device class is the product assurance level as defined in MIL-PRF-38535.

1.2.3 Case outlines. The case outlines are as designated in MIL-STD-1835 and as follows:

<u>Outline letter</u>	<u>Descriptive designator</u>	<u>Terminals</u>	<u>Package style</u>
A	GDFP5-F14 or CDFP6-F14	14	Flat pack
B	GDFP4-F14	14	Flat pack
C	GDIP1-T14 or CDIP2-T14	14	Dual-in-line
D	GDFP1-F14 or CDFP2-F14	14	Flat pack

Comments, suggestions, or questions on this document should be addressed to: Commander, Defense Supply Center Columbus, ATTN: DSCC-VAS, P. O. Box 3990, Columbus, OH 43218-3990, or emailed to [bipolar@dla.mil](mailto:bipolar@dla.mil). Since contact information can change, you may want to verify the currency of this address information using the ASSIST Online database at <http://assist.daps.dla.mil>.

1.3 Absolute maximum ratings.

Supply voltage range .....	0 V dc to 8.0 V dc
Input voltage range .....	0 V dc to 6.0 V dc
Storage temperature range .....	-65°C to +150°C
Maximum power dissipation per gate ( $P_D$ ) <sup>1/</sup> .....	4 mW dc per gate
Lead temperature (soldering 10 seconds) .....	300°C
Thermal resistance, junction-to-case ( $\theta_{JC}$ ).....	(See MIL-STD-1835)
Junction temperature ( $T_J$ ) <sup>2/</sup> .....	175°C

1.4 Recommended operating conditions.

Supply voltage .....	4.5 V dc minimum to 5.5 V dc maximum
Minimum high level input voltage .....	2.0 V dc
Maximum low level input voltage .....	0.7 V dc
Normalized fanout (each output) <sup>3/</sup> .....	10 maximum
Case operating temperature range ( $T_C$ ) .....	-55°C to 125°C

## 2.0 APPLICABLE DOCUMENT

2.1 General. The documents listed in this section are specified in sections 3, 4, or 5 of this specification. This section does not include documents cited in other sections of this specification or recommended for additional information or as examples. While every effort has been made to ensure the completeness of this list, document users are cautioned that they must meet all specified requirements of documents cited in sections 3, 4, or 5 of this specification, whether or not they are listed.

2.2 Government documents.

2.2.1 Specifications and standards. The following specifications and standards form a part of this specification to the extent specified herein. Unless otherwise specified, the issues of these documents are those cited in the solicitation or contract.

## DEPARTMENT OF DEFENSE SPECIFICATIONS

MIL-PRF-38535 - Integrated Circuits (Microcircuits) Manufacturing, General Specification for.

## DEPARTMENT OF DEFENSE STANDARDS

MIL-STD-883 - Test Method Standard for Microelectronics.  
MIL-STD-1835 - Interface Standard Electronic Component Case Outlines

(Copies of these documents are available online at <http://assist.daps.dla.mil/quicksearch/> or <http://assist.daps.dla.mil> or from the Standardization Document Order Desk, 700 Robbins Avenue, Building 4D, Philadelphia, PA 19111-5094.)

2.3 Order of precedence. In the event of a conflict between the text of this specification and the references cited herein, the text of this document takes precedence. Nothing in this document, however, supersedes applicable laws and regulations unless a specific exemption has been obtained.

- <sup>1/</sup> Must withstand the added  $P_D$  due to short circuit condition (e.g.  $I_{OS}$ ) at one output for 5 seconds duration.  
<sup>2/</sup> Maximum junction temperature should not be exceeded except in accordance with allowable short duration burn-in screening condition in accordance with MIL-PRF-38535.  
<sup>3/</sup> Device will fanout in both high and low levels to the specified number of inputs of the same device type as that being tested.

### 3. REQUIREMENTS

3.1 Qualification. Microcircuits furnished under this specification shall be products that are manufactured by a manufacturer authorized by the qualifying activity for listing on the applicable qualified manufacturers list before contract award (see 4.3 and 6.3).

3.2 Item requirements. The individual item requirements shall be in accordance with MIL-PRF-38535 and as specified herein or as modified in the device manufacturer's Quality Management (QM) plan. The modification in the QM plan shall not affect the form, fit, or function as described herein.

3.3 Design, construction, and physical dimensions. The design, construction, and physical dimensions shall be as specified in MIL-PRF-38535 and herein.

3.3.1 Logic diagram and terminal connections. The logic diagram terminal connections shall be as specified on figure 1.

3.3.2 Truth tables and logic equations. The truth tables and logic equations shall be as specified on figure 2.

3.3.3 Schematic circuit. The schematic circuit shall be maintained by the manufacturer and made available to the qualifying activity and the preparing activity upon request.

3.3.4 Case outlines. Case outlines shall be as specified in 1.2.3.

3.4 Lead material and finish. Lead material and finish shall be in accordance with MIL-PRF-38535 (see 6.6).

3.5 Electrical performance characteristics. The electrical performance characteristics are as specified in table 1 and apply over the full recommended case operating temperature range, unless otherwise specified.

3.6 Electrical test requirements. The electrical test requirements for each device class shall be the subgroups specified in table II. The electrical tests for each subgroup are described in table III.

3.7 Marking. Marking shall be in accordance with MIL-PRF-38535.

3.8 Microcircuit group assignment. The devices covered by this specification shall be in microcircuit group number 15 (see MIL-PRF-38535, appendix A).

### 4. VERIFICATION

4.1 Sampling and inspection. Sampling and inspection procedures shall be in accordance with MIL-PRF-38535 or as modified in the device manufacturer's Quality Management (QM) plan. The modification in the QM plan shall not effect the form, fit, or function as described herein.

4.2 Qualification inspection. Qualification inspection shall be in accordance with MIL-PRF-38535.

4.3 Screening. Screening shall be in accordance with MIL-PRF-38535 and shall be conducted on all devices prior to qualification and conformance inspection. The following additional criteria shall apply:

- a. The burn-in test duration, test condition, and test temperature, or approved alternatives shall be as specified in the device manufacturer's QM plan in accordance with MIL-PRF-38535. The burn-in test circuit shall be maintained under document control by the device manufacturer's Technology Review Board (TRB) in accordance with MIL-PRF-38535 and shall be made available to the acquiring or preparing activity upon request. The test circuit shall specify the inputs, outputs, biases, and power dissipation, as applicable, in accordance with the intent specified in test method 1015 of MIL-STD-883.
- b. Interim and final electrical test parameters shall be as specified in table II, except interim electrical parameters test prior to burn-in is optional at the discretion of the manufacturer.
- c. Additional screening for space level product shall be as specified in MIL-PRF-38535.

TABLE I. Electrical performance characteristics.

Test	Symbol	Conditions -55°C ≤ T <sub>C</sub> ≤ +125°C unless otherwise specified	Device type	Limits		
				Min	Max	Units
High-level output voltage (except open collector output circuits)	V <sub>OH</sub>	V <sub>CC</sub> = 4.5 V, V <sub>IN</sub> = 0.7 V I <sub>OH</sub> = -100 μA <u>1/</u>	01, 02, 03, 04, 05	2.4		V
Low level output voltage	V <sub>OL</sub>	V <sub>CC</sub> = 4.5 V, I <sub>OL</sub> = 2 mA V <sub>IN</sub> = 2.0 V for all inputs of gate under test <u>1/</u>	All		0.3	V
Maximum collector cut-off current (open collector circuits only)	I <sub>CEX</sub>	V <sub>CC</sub> = 4.5 V, V <sub>IN</sub> = 0.6 V V <sub>OH</sub> = 5.5 V	06		50	μA
High level input current	I <sub>IH1</sub>	V <sub>CC</sub> = 5.5 V, V <sub>IN</sub> = 2.4 V <u>2/</u>	All		10	μA
High level input current	I <sub>IH2</sub>	V <sub>CC</sub> = 5.5 V, V <sub>IN</sub> = 5.5 V <u>2/</u>	All		100	μA
Low level input current	I <sub>IL</sub>	V <sub>CC</sub> = 5.5 V, V <sub>IN</sub> = 0.3 V <u>1/</u>	All	-60	-180	μA
Short-circuit output current (except open collector circuits)	I <sub>OS</sub>	V <sub>CC</sub> = 5.5 V <u>2/ 3/</u>	01, 02, 03, 04, 05	-3	-15	mA
High level supply current per gate	I <sub>CCH</sub>	V <sub>CC</sub> = 5.5 V <u>2/</u> V <sub>IN</sub> = 0V	02, 03, 04, 05, 06		200	μA
			01		330	μA
Low level supply current per gate	I <sub>CCL</sub>	V <sub>CC</sub> = 5.5 V <u>1/</u> V <sub>IN</sub> = 5.5 V	All		510	μA
Propagation delay time, high to low level	t <sub>PHL</sub>	C <sub>L</sub> = 50 pF, R <sub>L</sub> = 4 kΩ	01	3	154	ns
			02, 03, 04, 05, 06	3	99	ns
Propagation delay time, low to high level	t <sub>PLH</sub>	C <sub>L</sub> = 50 pF, R <sub>L</sub> = 4 kΩ	01, 02, 03, 04, 05	3	90	ns
			06	3	140	ns

1/ All unspecified inputs at 5.5 volts.

2/ All unspecified inputs grounded.

3/ Not more than one output should be shorted at a time.

TABLE II. Electrical test requirements.

MIL-PRF-38535 Test requirement	Subgroups (see table III)	
	Class S Devices	Class B Devices
Interim electrical parameters	1	1
Final electrical test parameters	1*, 2, 3, 9	1*, 2, 3, 9
Group A test requirements	1, 2, 3, 9, 10, 11	1, 2, 3, 9
Group B electrical test parameters when using the method 5005 QCI option	1, 2, 3	N/A
Groups C end point electrical parameters	1, 2, 3	1, 2, 3
Additional electrical subgroups for Group C periodic inspections	None	10, 11
Group D end point electrical parameters	1, 2, 3	1, 2, 3

\*PDA applies to subgroup 1.

4.4 Technology Conformance Inspection (TCI). Technology conformance inspection shall be in accordance with MIL-PRF-38535 and herein for groups A, B, C, and D inspections (see 4.4.1 through 4.4.4).

4.4.1 Group A inspection. Group A inspection shall be in accordance with table III of MIL-PRF-38535 and as follows:

- a. Tests shall be as specified in table II herein.
- b. Subgroups 4, 5, 6, 7, and 8, shall be omitted.

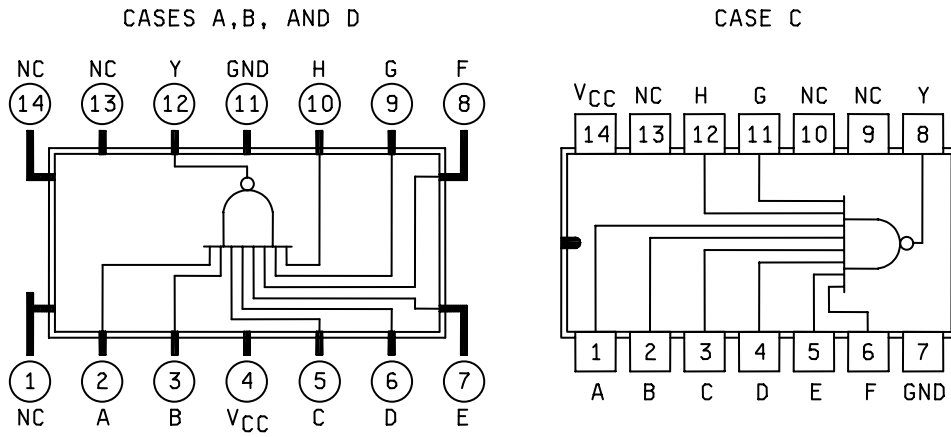
4.4.2 Group B inspection. Group B inspection shall be in accordance with table II of MIL-PRF-38535.

4.4.3 Group C inspection. Group C inspection shall be in accordance with table IV of MIL-PRF-38535 and as follows:

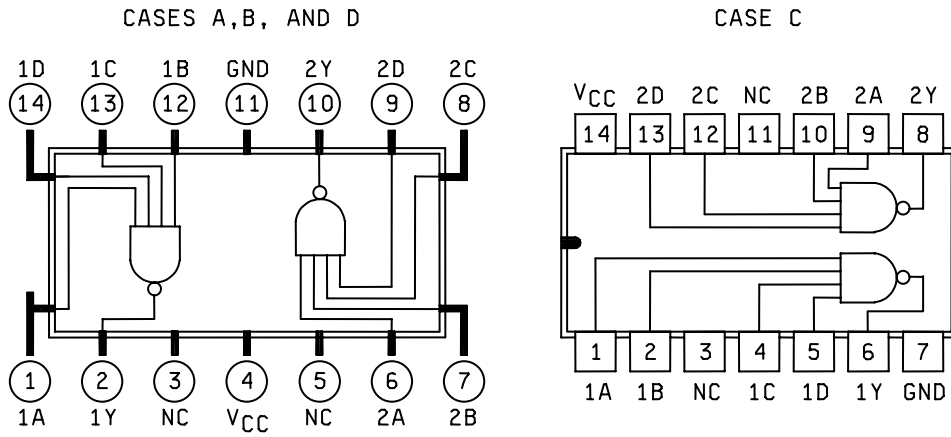
- a. End point electrical parameters shall be as specified in table II herein.
- b. Subgroups 3 and 4 shall be added to the group C inspection requirements for class B devices and shall consist of the tests, conditions, and limits specified for subgroups 10 and 11 of group A. The sample size series number shall be 5 (45 devices except on 0).
- c. The steady-state life test duration, test condition, and test temperature, or approved alternatives shall be as specified in the device manufacturer's QM plan in accordance with MIL-PRF-38535. The burn-in test circuit shall be maintained under document control by the device manufacturer's Technology Review Board (TRB) in accordance with MIL-PRF-38535 and shall be made available to the acquiring or preparing activity upon request. The test circuit shall specify the inputs, outputs, biases, and power dissipation, as applicable, in accordance with the intent specified in test method 1005 of MIL-STD-883.

4.4.4 Group D inspection. Group D inspection shall be in accordance with table V of MIL-PRF-38535. End-point electrical parameters shall be as specified in table II herein.

DEVICE TYPE 01



DEVICE TYPE 02



DEVICE TYPE 03

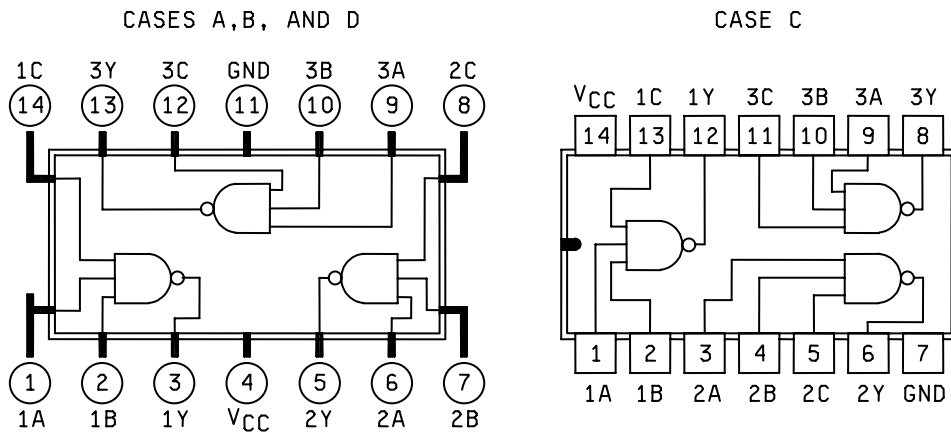
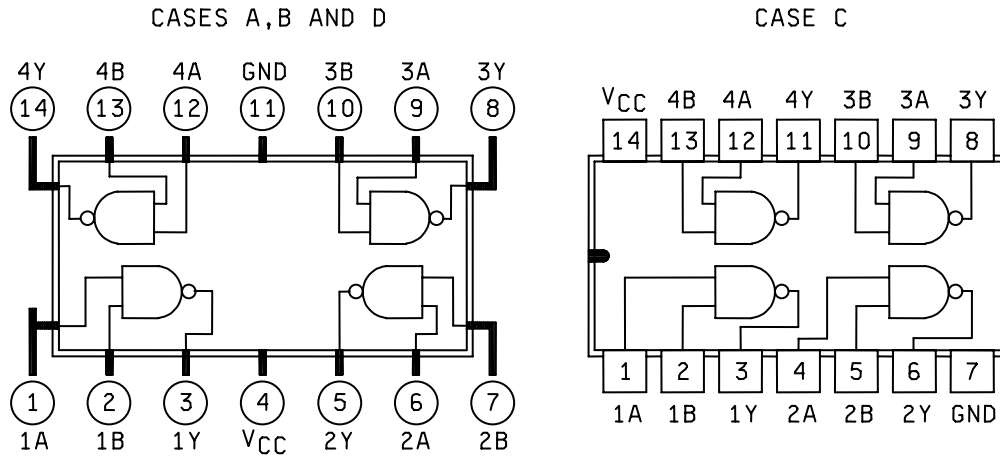


Figure 1. Logic diagrams and terminal connections (top view).

DEVICE TYPES 04 AND 06



DEVICE TYPE 05

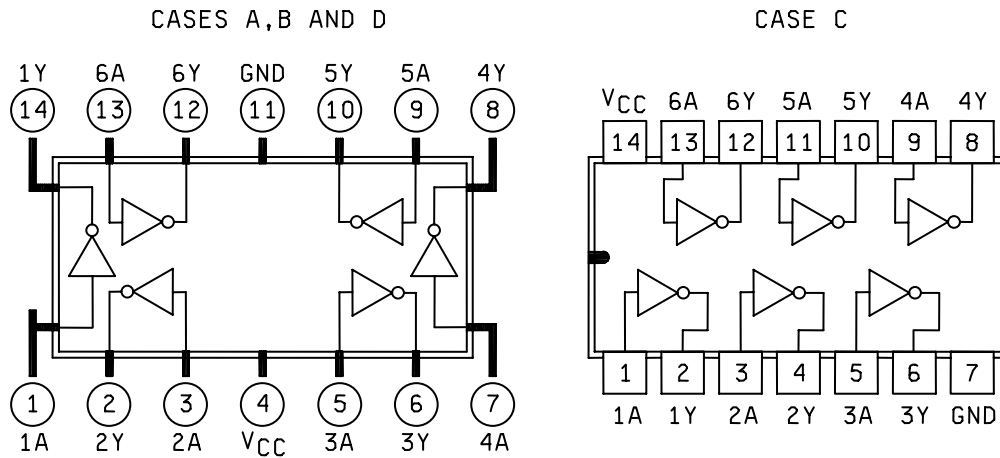


Figure 1. Logic diagrams and terminal connections (top view) - Continued.

Device type 01

Truth table								
Input								Output
A	B	C	D	E	F	G	H	Y
H	H	H	H	H	H	H	H	L

All other combinations of H and L at the inputs give H output.

Positive logic  $Y = \overline{ABCDEFGH}$

Device type 02

Truth table				
Input				Output
A	B	C	D	Y
L	L	L	L	H
H	L	L	L	H
L	H	L	L	H
H	H	L	L	H
L	L	H	L	H
H	L	H	L	H
L	H	H	L	H
H	H	H	L	H
L	L	L	H	H
H	L	L	H	H
L	H	L	H	H
H	H	L	H	H
L	L	H	H	H
H	L	H	H	H
L	H	H	H	H
H	H	H	H	L

Positive logic  $Y = \overline{ABCD}$

Device type 03

Truth table			
Input			Output
A	B	C	Y
L	L	L	H
H	L	L	H
L	H	L	H
H	H	L	H
L	L	H	H
H	L	H	H
L	H	H	H
H	H	H	L

Positive logic  $Y = \overline{ABC}$

Device type 05

Truth table each gate	
Input	Output
A	Y
L	H
H	L

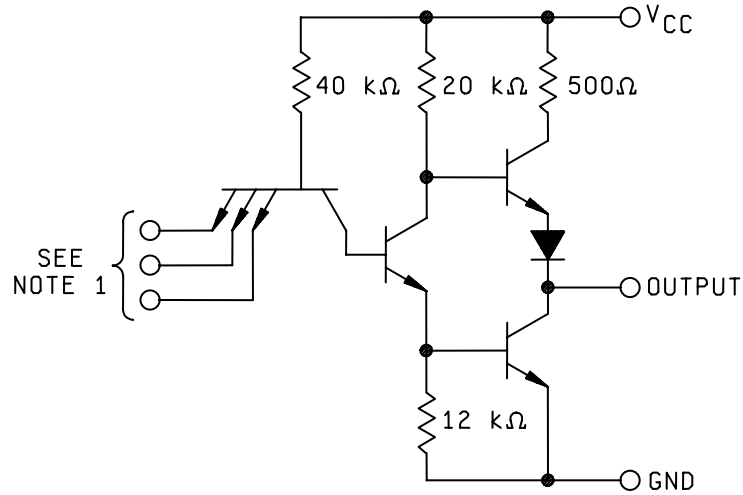
Positive logic  $Y = \overline{A}$

Device type 04 and 06

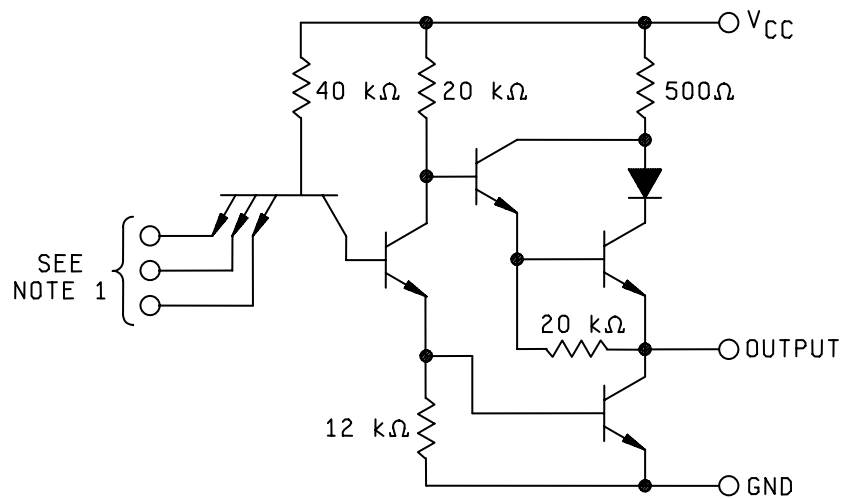
Truth table each gate		
Input		Output
A	B	Y
L	L	H
H	L	H
L	H	H
H	H	L

Positive logic  $Y = \overline{AB}$

Figure 2. Truth tables and logic equations.

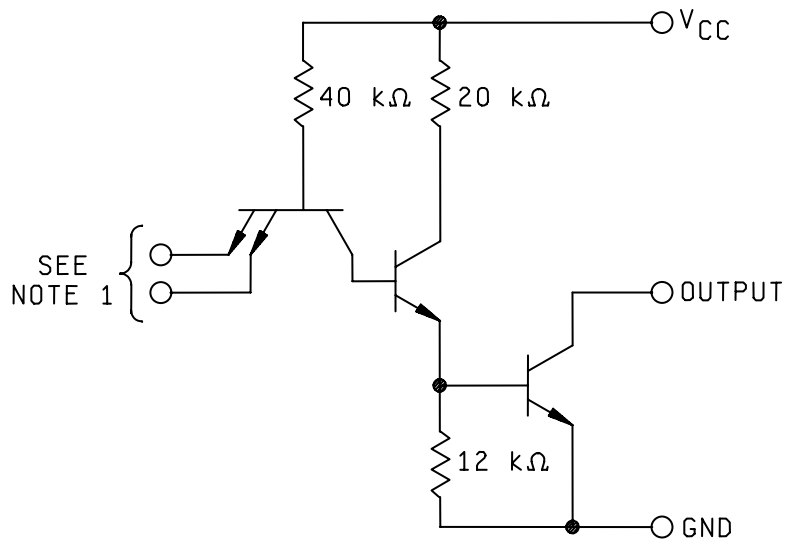


SCHEMATIC A



SCHEMATIC B

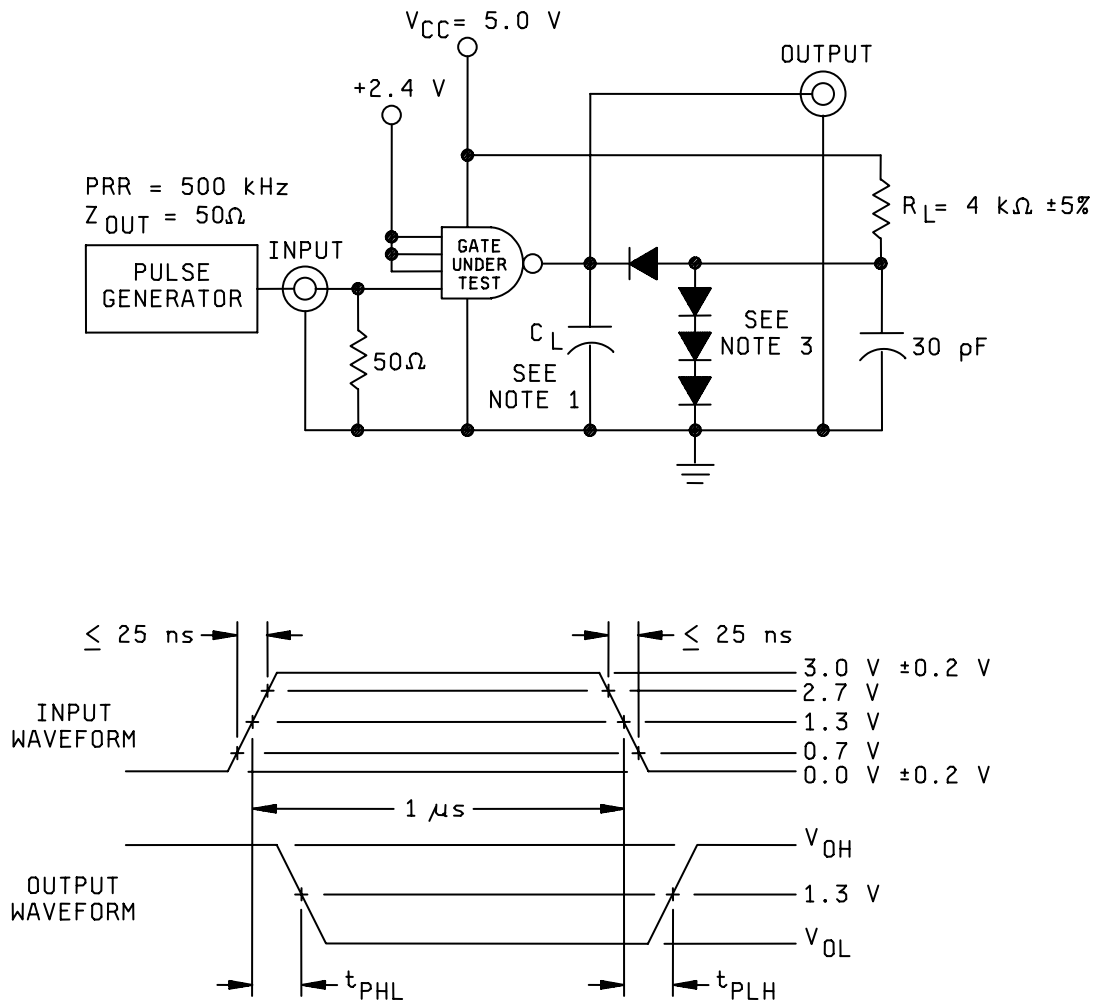
FIGURE 3. Schematic circuits for device types 01, 02, 03, 04 and 05.



NOTES:

1. Number of inputs is determined by logic configuration shown on figure 1.
2. All resistance values shown are nominal.

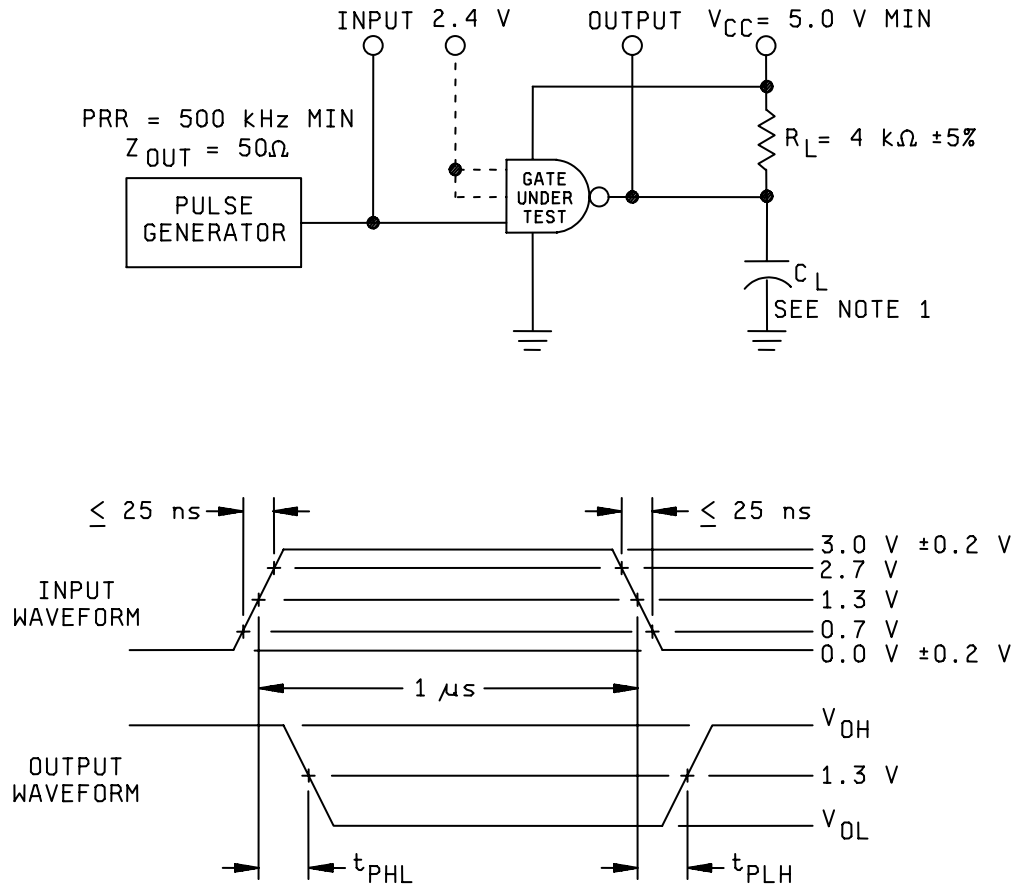
FIGURE 3. Schematic circuit for device type 06 - Continued.



## NOTES:

1.  $C_L = 50$  pF minimum, including scope probe, wiring, and stray capacitance without package in test fixture.
2. Voltage measurements are made with respect to network ground terminal.
3. All diodes are 1N3064 or equivalent.

FIGURE 4. Switching time test circuit except for open collector circuits  
(device types 01, 02, 03, 04, and 05).



NOTES:

1.  $C_L = 50 \text{ pF}$  minimum, including scope probe, wiring, and stray capacitance without package in test fixture.
2. Voltage measurements are made with respect to network ground terminal.

FIGURE 5. Switching time test circuit (device type 06).

TABLE III. Group A inspection for device type 01.  
Terminal conditions (pins not designated are open)

Subgroup	Symbol	MIL-STD-883 method	Case A,B,D Case C Test No.	1	2	3	4	5	6	7	8	9	10	11	12	13	14	Meas. terminal	Test limits				
				13	1	2	14	3	4	5	6	7	8	9	10	7	8		9	10	Min	Max	Unit
				NC	A	B	V <sub>CC</sub>	C	D	E	F	G	H	GND	Y	NC	NC						
1 T <sub>C</sub> = 25°C	V <sub>OL</sub>	3007	1		2.0 V	2.0 V	4.5 V	2.0 V	2.0 V	2.0 V	2.0 V	2.0 V	2.0 V	2.0 V	GND	2mA	NC	NC	Y		0.3	V	
	V <sub>OH</sub>	3006	2		0.7 V	5.5 V	"	5.5 V	5.5 V	5.5 V	5.5 V	5.5 V	5.5 V	"	"	-100μA			Y	2.4		"	
	"	"	3		5.5 V	0.7 V	"	5.5 V	"	"	"	"	"	"	"	"	"	"	Y	"		"	
	"	"	4		"	5.5 V	"	"	"	"	"	"	"	"	"	"	"	"	Y	"		"	
	"	"	5		"	"	"	"	0.7 V	"	"	"	"	"	"	"	"	"	Y	"		"	
	"	"	6		"	"	"	"	5.5 V	0.7 V	"	"	"	"	"	"	"	"	Y	"		"	
	"	"	7		"	"	"	"	"	5.5 V	0.7 V	0.7 V	"	"	"	"	"	"	Y	"		"	
	"	"	8		"	"	"	"	"	"	5.5 V	0.7 V	0.7 V	"	"	"	"	"	Y	"		"	
	"	"	9		"	"	"	"	"	"	5.5 V	5.5 V	0.7 V	0.7 V	"	"	"	"	Y	"		"	
	"	I <sub>OS</sub>	3011	10		GND	GND	5.5 V	GND	GND	GND	GND	GND	GND	"	GND			Y	-3	-15	mA	
	"	I <sub>IH1</sub>	3010	11		2.4 V	GND	"	GND	GND	GND	GND	GND	GND	"	"			A		10	μA	
	"	"	"	12		GND	2.4 V	"	GND	"	"	"	"	"	"	"			B		"	"	
	"	"	"	13		"	GND	"	"	"	"	"	"	"	"	"			C		"	"	
	"	"	"	14		"	"	"	GND	2.4 V	"	"	"	"	"	"			D		"	"	
	"	"	"	15		"	"	"	"	GND	2.4 V	"	"	"	"	"			E		"	"	
	"	"	"	16		"	"	"	"	"	GND	2.4 V	"	"	"	"			F		"	"	
	"	"	"	17		"	"	"	"	"	"	GND	2.4 V	"	"	"			G		"	"	
	"	"	"	18		"	"	"	"	"	"	"	GND	2.4 V	"	"			H		"	"	
	"	I <sub>IH2</sub>	"	19		5.5 V	"	"	"	"	"	"	"	GND	"	"			A		100	"	
	"	"	"	20		GND	5.5 V	"	"	"	"	"	"	"	"	"			B		"	"	
	"	"	"	21		"	GND	"	"	"	"	"	"	"	"	"			C		"	"	
	"	"	"	22		"	5.5 V	"	5.5 V	5.5 V	"	"	"	"	"	"			D		"	"	
	"	"	"	23		"	"	"	"	"	5.5 V	"	"	"	"	"			E		"	"	
	"	"	"	24		"	"	"	"	"	GND	5.5 V	"	"	"	"			F		"	"	
	"	"	"	25		"	"	"	"	"	"	GND	5.5 V	"	"	"			G		"	"	
	"	"	"	26		"	"	"	"	"	"	GND	5.5 V	5.5 V	"	"			H		"	"	
"	I <sub>IL</sub>	3009	27		0.3 V	5.5 V	"	5.5 V	5.5 V	5.5 V	5.5 V	5.5 V	5.5 V	"	"			A	-60	-180	"		
"	"	"	28		5.5 V	0.3 V	"	5.5 V	"	"	"	"	"	"	"			B	"	"	"		
"	"	"	29		"	5.5 V	"	0.3 V	"	"	"	"	"	"	"			C	"	"	"		
"	"	"	30		"	"	"	5.5 V	0.3 V	"	"	"	"	"	"			D	"	"	"		
"	"	"	31		"	"	"	"	5.5 V	0.3 V	"	"	"	"	"			E	"	"	"		
"	"	"	32		"	"	"	"	"	5.5 V	0.3 V	"	"	"	"			F	"	"	"		
"	"	"	33		"	"	"	"	"	"	5.5 V	0.3 V	"	"	"			G	"	"	"		
"	"	"	34		"	"	"	"	"	"	5.5 V	5.5 V	0.3 V	"	"			H	"	"	"		
"	I <sub>CCL</sub>	3005	35		5.5 V	5.5 V	5.5 V	5.5 V	5.5 V	5.5 V	5.5 V	5.5 V	5.5 V	"	"			V <sub>CC</sub>		0.51	mA		
"	I <sub>CCH</sub>	3005	36		GND	GND	5.5 V	GND	GND	GND	GND	GND	GND	"	"			V <sub>CC</sub>		0.33	mA		
2	Same tests, terminal conditions and limits as for subgroup 1, except T <sub>C</sub> = 125°C.																						
3	Same tests, terminal conditions and limits as for subgroup 1, except T <sub>C</sub> = -55°C.																						
9 T <sub>C</sub> = 25°C	t <sub>PHL</sub>	3003 (Fig. 4)	37 CKT A		IN	2.4 V	5.0 V	2.4 V	2.4 V	2.4 V	2.4 V	2.4 V	2.4 V	GND	OUT			A to Y	3	99	ns		
	t <sub>PHL</sub>		37 CKT B		"	"	"	"	"	"	"	"	"	"	"	"			A to Y	"	80	"	
	t <sub>PLH</sub>		38 CKT A		"	"	"	"	"	"	"	"	"	"	"	"			A to Y	"	60	"	
	t <sub>PLH</sub>		38 CKT B		"	"	"	"	"	"	"	"	"	"	"	"			A to Y	"	60	"	
10 T <sub>C</sub> = 125°C	t <sub>PHL</sub>	"	39 CKT A		IN	2.4 V	5.0 V	2.4 V	2.4 V	2.4 V	2.4 V	2.4 V	2.4 V	GND	OUT			A to Y	"	154	"		
	t <sub>PHL</sub>		39 CKT B		"	"	"	"	"	"	"	"	"	"	"			A to Y	"	90	"		
	t <sub>PLH</sub>		40 CKT A		"	"	"	"	"	"	"	"	"	"	"			A to Y	"	90	"		
	t <sub>PLH</sub>		40 CKT B		"	"	"	"	"	"	"	"	"	"	"			A to Y	"	90	"		
11	Same tests, terminal conditions and limits as for subgroup 10, except T <sub>C</sub> = -55°C.																						

TABLE III. Group A inspection for device type 02.  
Terminal conditions (pins not designated are open)

Subgroup	Symbol	MIL-STD-883 method	Case A,B,D Case C Test No.	1	2	3	4	5	6	7	8	9	10	11	12	13	14	Meas. terminal	Test limits			
				1A	1Y	NC	V <sub>CC</sub>	NC	2A	2B	2C	2D	2Y	GND	1B	1C	1D		Min	Max	Unit	
				1	6	3	14	11	9	10	12	13	8	GND	2	4	5					
1 T <sub>C</sub> = 25°C	V <sub>OL</sub>	3007	1	2.0 V	2mA		4.5 V		5.5 V	5.5 V	5.5 V	5.5 V						1Y		.3	V	
	V <sub>OL</sub>	3007	2	5.5 V					2.0 V	2.0 V	2.0 V	2.0 V	2mA					2Y		.3		
	V <sub>OH</sub>	3008	3	0.7 V	-100μA				5.5 V	5.5 V	5.5 V	5.5 V						1Y	2.4			
	"	"	4	5.5 V														1Y				
	"	"	5															1Y				
	"	"	6															1Y				
	"	"	7							0.7 V								1Y				
	"	"	8							5.5 V	0.7 V							2Y				
	"	"	9								5.5 V	0.7 V						2Y				
	"	"	10								5.5 V	5.5 V	0.7 V					2Y				
	"	I <sub>OS</sub>	3011	11	GND	GND		5.5 V										1Y	-3	-15	mA	
	"	I <sub>OS</sub>	3011	12						GND	GND	GND	GND	GND				2Y	-3	-15	mA	
	"	I <sub>IH1</sub>	3010	13	2.4 V													1A		10	μA	
	"	"	"	14	GND													1B				
	"	"	"	15														1C				
	"	"	"	16														1D				
	"	"	"	17						2.4 V								2A				
	"	"	"	18						GND	2.4 V							2B				
	"	"	"	19								2.4 V						2C				
	"	"	"	20								GND	2.4 V					2D				
	"	I <sub>IH2</sub>	"	21	5.5 V													1A		100		
	"	"	"	22	GND													1B				
	"	"	"	23														1C				
	"	"	"	24														1D				
	"	"	"	25														2A				
	"	"	"	26						5.5 V								2B				
	"	"	"	27						GND	5.5 V							2C				
	"	"	"	28							GND	5.5 V	5.5 V					2D				
	"	I <sub>IL</sub>	3009	29	0.3 V					5.5 V	5.5 V	5.5 V						1A	-60	-180		
	"	"	"	30	5.5 V													1B				
	"	"	"	31														1C				
	"	"	"	32														1D				
	"	"	"	33														2A				
	"	"	"	34						0.3 V								2B				
	"	"	"	35						5.5 V	0.3 V							2C				
	"	"	"	36							5.5 V	0.3 V						2D				
	"	I <sub>CCI</sub>	3005	37								5.5 V	5.5 V					V <sub>CC</sub>		1.02	mA	
	"	I <sub>CCH</sub>	3005	38	GND													V <sub>CC</sub>		0.40	mA	
2	Same tests, terminal conditions and limits as for subgroup 1, except T <sub>C</sub> = 125°C.																					
3	Same tests, terminal conditions and limits as for subgroup 1, except T <sub>C</sub> = -55°C.																					
9 T <sub>C</sub> = 25°C	t <sub>PHL</sub>	3003 (Fig. 4)	39 CKT A	IN	OUT		5.0 V							GND	2.4 V	2.4 V	2.4 V	1A to 1Y	3	66	ns	
	"	"	39 CKT B	IN	OUT											2.4 V	2.4 V	2.4 V	1A to 1Y	"	50	"
	"	"	40 CKT A	IN	OUT					IN	2.4 V	2.4 V	2.4 V	OUT				2A to 2Y	"	66	"	
	"	"	40 CKT B	IN	OUT					IN	2.4 V	2.4 V	2.4 V	OUT				2A to 2Y	"	50	"	
10 T <sub>C</sub> = 125°C	t <sub>PLH</sub>	"	41 CKT A	IN	OUT										2.4 V	2.4 V	2.4 V	1A to 1Y	"	60	"	
	"	"	41 CKT B	IN	OUT										2.4 V	2.4 V	2.4 V	1A to 1Y	"	45	"	
	"	"	42 CKT A	IN	OUT					IN	2.4 V	2.4 V	2.4 V	OUT				2A to 2Y	"	60	"	
	"	"	42 CKT B	IN	OUT					IN	2.4 V	2.4 V	2.4 V	OUT				2A to 2Y	"	45	"	
11	t <sub>PHL</sub>	"	43 CKT A	IN	OUT										2.4 V	2.4 V	2.4 V	1A to 1Y	"	99	"	
	"	"	43 CKT B	IN	OUT										2.4 V	2.4 V	2.4 V	1A to 1Y	"	60	"	
	"	"	44 CKT A	IN	OUT					IN	2.4 V	2.4 V	2.4 V	OUT				2A to 2Y	"	99	"	
	"	"	44 CKT B	IN	OUT					IN	2.4 V	2.4 V	2.4 V	OUT				2A to 2Y	"	60	"	
11	t <sub>PLH</sub>	"	45 CKT A	IN	OUT										2.4 V	2.4 V	2.4 V	1A to 1Y	"	90	"	
	"	"	45 CKT B	IN	OUT										2.4 V	2.4 V	2.4 V	1A to 1Y	"	55	"	
	"	"	46 CKT A	IN	OUT					IN	2.4 V	2.4 V	2.4 V	OUT				2A to 2Y	"	90	"	
	"	"	46 CKT B	IN	OUT					IN	2.4 V	2.4 V	2.4 V	OUT				2A to 2Y	"	55	"	
11	Same tests, terminal conditions and limits as for subgroup 10, except T <sub>C</sub> = -55°C.																					

TABLE III. Group A inspection for device type 03.  
Terminal conditions (pins not designated are open)

Subgroup	Symbol	MIL-STD-883 method	Case A,B,D Case C Test No.	1	2	3	4	5	6	7	8	9	10	11	12	13	14	Meas. terminal	Test limits			
				1	2	12	14	6	4	5	9	10	7	11	8	13	Min		Max	Unit		
				1A	1B	1Y	V <sub>CC</sub>	2Y	2A	2B	2C	3A	3B	GND	3C	3Y	1C					
1 T <sub>C</sub> = 25°C	V <sub>OL</sub>	3007	1	2.0 V	2.0 V	2mA	4.5 V		5.5 V	5.5 V	5.5 V	5.5 V	5.5 V	GND	5.5 V		2.0 V	1Y		0.3	V	
	"	"	2	5.5 V	5.5 V		"	2mA	2.0 V	2.0 V	2.0 V	5.5 V	5.5 V	"	5.5 V		5.5 V	2Y		"	"	
	"	"	3	5.5 V			"		5.5 V	5.5 V	5.5 V	2.0 V	2.0 V	"	2.0 V	2mA	5.5 V	3Y		"	"	
	"	"	4	0.7 V	"	-100μA	"		"	"	5.5 V	5.5 V	5.5 V	"	5.5 V		"	1Y	2.4		"	
	"	"	5	5.5 V	0.7 V	"	"		"	"	"	"	"	"	"		"	1Y	"		"	
	"	"	6	"	5.5 V	"	"		"	"	"	"	"	"	"		"	1Y	"		"	
	"	"	7	"	"	"	"		"	"	"	"	"	"	"		"	1Y	"		"	
	"	"	8	"	"	"	"	-100μA	0.7 V	5.5 V	0.7 V	"	"	"	"		"	2Y	"		"	
	"	"	9	"	"	"	"	"	"	"	5.5 V	0.7 V	"	"	"		"	2Y	"		"	
	"	"	10	"	"	"	"	"	"	"	"	5.5 V	0.7 V	"	"		"	3Y	"		"	
	"	"	11	"	"	"	"	"	"	"	"	5.5 V	0.7 V	"	"		"	3Y	"		"	
	"	"	12	"	"	"	"	"	"	"	"	5.5 V	5.5 V	0.7 V	0.7 V		"	3Y	"		"	
	"	I <sub>OS</sub>	3011	13	GND	GND	GND	5.5 V	GND	GND	GND	GND			"			GND	1Y	-3	-15	mA
	"	"	"	14	"	"	"	"	GND	GND	GND	GND			"			GND	2Y	"	"	"
	"	"	"	15	"	"	"	"	"	GND	GND	GND	GND		GND	GND		GND	3Y	"	"	"
	"	I <sub>IH1</sub>	3010	16	2.4 V	GND		"		GND	GND	GND	"	"	"	"	"	GND	1A		10	μA
	"	"	"	17	GND	2.4 V		"		"	"	"	"	"	"	"	"	GND	1B		"	"
	"	"	"	18	"	GND		"		"	"	"	"	"	"	"	"	2.4 V	1C		"	"
	"	"	"	19	"	"		"		2.4 V	"	"	"	"	"	"	"	GND	2A		"	"
	"	"	"	20	"	"		"		GND	2.4 V	"	"	"	"	"	"	"	2B		"	"
	"	"	"	21	"	"		"		"	GND	2.4 V	"	"	"	"	"	"	2C		"	"
	"	"	"	22	"	"		"		"	"	"	2.4 V	"	"	"	"	"	3A		"	"
	"	"	"	23	"	"		"		"	"	"	"	2.4 V	"	"	"	"	3B		"	"
	"	"	"	24	"	"		"		"	"	"	"	GND	2.4 V	"	"	"	3C		"	"
	"	I <sub>IH2</sub>	"	25	5.5 V	"		"		"	"	"	"	"	"	GND		"	1A		100	"
	"	"	"	26	GND	"		"		"	"	"	"	"	"	"		"	1B		"	"
	"	"	"	27	"	5.5 V		"		"	"	"	"	"	"	"		5.5 V	1C		"	"
	"	"	"	28	"	"		"		5.5 V	"	"	"	"	"	"		GND	2A		"	"
	"	"	"	29	"	"		"		"	5.5 V	"	"	"	"	"		"	2B		"	"
	"	"	"	30	"	"		"		"	GND	"	"	"	"	"		"	2C		"	"
	"	"	"	31	"	"		"		"	"	5.5 V	"	"	"	"		"	3A		"	"
	"	"	"	32	"	"		"		"	"	"	5.5 V	"	"	"		"	3B		"	"
	"	"	"	33	"	"		"		"	"	"	GND	5.5 V	"	5.5 V		"	3C		"	"
	"	I <sub>IL</sub>	3009	34	0.3 V	5.5 V		"		5.5 V	5.5 V	5.5 V	5.5 V	5.5 V	"	"		5.5 V	1A	-60	-180	"
	"	"	"	35	5.5 V	0.3 V		"		"	"	"	"	"	"	"		5.5 V	1B		"	"
	"	"	"	36	"	5.5 V		"		"	"	"	"	"	"	"		0.3 V	1C		"	"
	"	"	"	37	"	"		"		0.3 V	"	"	"	"	"	"		5.5 V	2A		"	"
	"	"	"	38	"	"		"		5.5 V	0.3 V	"	"	"	"	"		"	2B		"	"
	"	"	"	39	"	"		"		"	5.5 V	0.3 V	"	"	"	"		"	2C		"	"
	"	"	"	40	"	"		"		"	"	5.5 V	"	"	"	"		"	3A		"	"
	"	"	"	41	"	"		"		"	"	"	0.3 V	"	"	"		"	3B		"	"
	"	"	"	42	"	"		"		"	"	5.5 V	5.5 V	5.5 V	"	0.3 V		"	3C		"	"
	"	I <sub>CCH</sub>	3005	43	GND	GND		"		GND	GND	GND	GND	GND	"	GND		GND	V <sub>CC</sub>		0.60	mA
	"	I <sub>CCI</sub>	3005	44	5.5 V	5.5 V		"		5.5 V	5.5 V	5.5 V	5.5 V	5.5 V	"	5.5 V		5.5 V	V <sub>CC</sub>		1.53	mA
2	Same tests, terminal conditions and limits as for subgroup 1, except T <sub>C</sub> = 125°C.																					
3	Same tests, terminal conditions and limits as for subgroup 1, except T <sub>C</sub> = -55°C.																					

TABLE III. Group A inspection for device type 03 – Continued.  
Terminal conditions (pins not designated are open)

Subgroup	Symbol	MIL-STD-883 method	Case A,B,D																Meas. terminal	Test limits		
			Case C																	Min	Max	Unit
			1	2	3	4	5	6	7	8	9	10	11	12	13	14						
			Test No.	1A	1B	1Y	V <sub>CC</sub>	2Y	2A	2B	2C	3A	3B	GND	3C	3Y	1C					
9 T <sub>C</sub> = 25°C	t <sub>PHL</sub>	3003 (Fig. 4)	45 CKT A	IN	2.4 V	OUT	5.0 V										2.4 V	1A to 1Y	3	66	ns	
	"	"	45 CKT B	IN	2.4 V	OUT	"										2.4 V	1A to 1Y	"	50	"	
	"	"	46 CKT A					OUT	IN	2.4 V	2.4 V							2A to 2Y	"	66	"	
	"	"	46 CKT B					OUT	IN	2.4 V	2.4 V							2A to 2Y	"	50	"	
	"	"	47 CKT A									IN	2.4 V		2.4 V	OUT		3A to 3Y	"	66	"	
	"	"	47 CKT B									IN	2.4 V		2.4 V	OUT		3A to 3Y	"	50	"	
	"	t <sub>PLH</sub>	"	48 CKT A	IN	2.4 V	OUT	"									2.4 V	1A to 1Y	"	60	"	
	"	"	"	48 CKT B	IN	2.4 V	OUT	"									2.4 V	1A to 1Y	"	45	"	
	"	"	"	49 CKT A					OUT	IN	2.4 V	2.4 V						2A to 2Y	"	60	"	
	"	"	"	49 CKT B					OUT	IN	2.4 V	2.4 V						2A to 2Y	"	45	"	
10 T <sub>C</sub> = 125°C	t <sub>PHL</sub>	"	51 CKT A	IN	2.4 V	OUT	"										2.4 V	1A to 1Y	"	99	"	
	"	"	51 CKT B	IN	2.4 V	OUT	"										2.4 V	1A to 1Y	"	60	"	
	"	"	52 CKT A					OUT	IN	2.4 V	2.4 V							2A to 2Y	"	99	"	
	"	"	52 CKT B					OUT	IN	2.4 V	2.4 V							2A to 2Y	"	60	"	
	"	"	53 CKT A									IN	2.4 V		2.4 V	OUT		3A to 3Y	"	99	"	
	"	"	53 CKT B									IN	2.4 V		2.4 V	OUT		3A to 3Y	"	60	"	
	"	t <sub>PLH</sub>	"	54 CKT A	IN	2.4 V	OUT	"									2.4 V	1A to 1Y	"	90	"	
	"	"	"	54 CKT B	IN	2.4 V	OUT	"									2.4 V	1A to 1Y	"	55	"	
	"	"	"	55 CKT A					OUT	IN	2.4 V	2.4 V						2A to 2Y	"	90	"	
	"	"	"	55 CKT B					OUT	IN	2.4 V	2.4 V						2A to 2Y	"	55	"	
11	"	"	56 CKT A									IN	2.4 V		2.4 V	OUT		3A to 3Y	"	90	"	
	"	"	56 CKT B									IN	2.4 V		2.4 V	OUT		3A to 3Y	"	55	"	
11	Same tests, terminal conditions and limits as for subgroup 10, except T <sub>C</sub> = -55°C.																					

TABLE III. Group A inspection for device type 04.  
Terminal conditions (pins not designated are open)

Subgroup	Symbol	MIL-STD-883 method	Case A,B,D Case C Test No.	1	2	3	4	5	6	7	8	9	10	11	12	13	14	Meas. terminal	Test limits			
				1A	1B	1Y	14 V <sub>CC</sub>	2A	2B	3A	3B	GND	4A	4B	4Y	Min	Max		Unit			
				1	2	3	6	4	5	8	9	10	7	12	13	11						
1 T <sub>C</sub> = 25°C	V <sub>OL</sub>	3007	1	2.0 V	2.0 V	2mA	4.5 V		5.5 V	5.5 V		5.5 V	5.5 V	GND	5.5 V	5.5 V		1Y		0.3	V	
	"	"	2	5.5 V	5.5 V		"	2mA	2.0 V	2.0 V		5.5 V	5.5 V	"	"	"	"	2Y		"	"	
	"	"	3	"	"		"	"	5.5 V	5.5 V		2.0 V	2.0 V	"	"	"	"	3Y		"	"	
	"	"	4	"	"		"	"	"	"	2mA	5.5 V	5.5 V	"	2.0 V	2.0 V	2mA	4Y		"	"	
	"	V <sub>OH</sub>	3006	5	0.7 V	"	-100μA	"	"	"	"	"	"	"	"	5.5 V	5.5 V		1Y	2.4		"
	"	"	"	6	5.5 V	0.7 V	-100μA	"	"	"	"	"	"	"	"	"	"	"	1Y	"	"	"
	"	"	"	7	"	5.5 V	"	"	-100μA	0.7 V	"	"	"	"	"	"	"	"	1Y	"	"	"
	"	"	"	8	"	"	"	"	"	5.5 V	0.7 V	"	"	"	"	"	"	"	2Y	"	"	"
	"	"	"	9	"	"	"	"	"	"	5.5 V	"	"	"	"	"	"	"	2Y	"	"	"
	"	"	"	10	"	"	"	"	"	"	"	"	"	"	"	"	"	"	3Y	"	"	"
	"	"	"	11	"	"	"	"	"	"	"	-100μA	0.7 V	"	"	"	"	"	3Y	"	"	"
	"	"	"	12	"	"	"	"	"	"	"	"	5.5 V	0.7 V	"	0.7 V	0.7 V	-100μA	4Y	"	"	"
	"	"	"	12	"	"	"	"	"	"	"	"	"	5.5 V	"	"	"	"	4Y	"	"	"
	"	I <sub>OS</sub>	3011	13	GND	GND	GND	5.5 V	"	"	"	"	"	"	"	"	"	"	1Y	-3	-15	mA
	"	"	"	14	"	"	"	"	GND	GND	GND	"	"	"	"	"	"	"	2Y	"	"	"
	"	"	"	15	"	"	"	"	"	"	"	GND	GND	"	"	"	"	"	2Y	"	"	"
	"	"	"	16	"	"	"	"	"	"	"	"	"	GND	"	"	"	"	3Y	"	"	"
	"	"	"	16	"	"	"	"	"	"	"	"	"	"	"	GND	GND	GND	4Y	"	"	"
	"	I <sub>IH1</sub>	3010	17	2.4 V	"	"	"	"	GND	GND	"	GND	GND	"	"	"	"	1A		10	μA
	"	"	"	18	GND	2.4 V	"	"	"	GND	"	"	"	"	"	"	"	"	1B	"	"	"
	"	"	"	19	"	GND	"	"	"	"	"	"	"	"	"	"	"	"	2A	"	"	"
	"	"	"	20	"	"	"	"	"	2.4 V	"	"	"	"	"	"	"	"	2A	"	"	"
	"	"	"	21	"	"	"	"	"	GND	2.4 V	"	"	"	"	"	"	"	2B	"	"	"
	"	"	"	22	"	"	"	"	"	"	"	"	"	"	"	"	"	"	2B	"	"	"
	"	"	"	23	"	"	"	"	"	"	"	"	"	"	"	"	"	"	3A	"	"	"
	"	"	"	24	"	"	"	"	"	"	"	"	"	"	"	"	"	"	3A	"	"	"
	"	"	"	24	"	"	"	"	"	"	"	"	"	"	"	"	"	"	3B	"	"	"
	"	"	"	24	"	"	"	"	"	"	"	"	"	"	"	"	"	"	3B	"	"	"
	"	"	"	24	"	"	"	"	"	"	"	"	"	"	"	"	"	"	4A	"	"	"
	"	"	"	24	"	"	"	"	"	"	"	"	"	"	"	"	"	"	4A	"	"	"
	"	"	"	24	"	"	"	"	"	"	"	"	"	"	"	"	"	"	4B	"	"	"
	"	"	"	24	"	"	"	"	"	"	"	"	"	"	"	"	"	"	4B	"	"	"
	"	I <sub>IH2</sub>	"	25	5.5 V	"	"	"	"	"	"	"	"	"	"	"	"	"	1A		100	"
	"	"	"	26	GND	5.5 V	"	"	"	"	"	"	"	"	"	"	"	"	1B	"	"	"
	"	"	"	27	"	"	"	"	"	"	"	"	"	"	"	"	"	"	2A	"	"	"
	"	"	"	28	"	"	"	"	"	"	"	"	"	"	"	"	"	"	2A	"	"	"
	"	"	"	29	"	"	"	"	"	"	"	"	"	"	"	"	"	"	2B	"	"	"
	"	"	"	30	"	"	"	"	"	"	"	"	"	"	"	"	"	"	2B	"	"	"
	"	"	"	31	"	"	"	"	"	"	"	"	"	"	"	"	"	"	3A	"	"	"
	"	"	"	32	"	"	"	"	"	"	"	"	"	"	"	"	"	"	3A	"	"	"
	"	"	"	32	"	"	"	"	"	"	"	"	"	"	"	"	"	"	3B	"	"	"
	"	"	"	32	"	"	"	"	"	"	"	"	"	"	"	"	"	"	3B	"	"	"
	"	"	"	32	"	"	"	"	"	"	"	"	"	"	"	"	"	"	4A	"	"	"
	"	"	"	32	"	"	"	"	"	"	"	"	"	"	"	"	"	"	4A	"	"	"
"	"	"	32	"	"	"	"	"	"	"	"	"	"	"	"	"	"	4B	"	"	"	
"	"	"	32	"	"	"	"	"	"	"	"	"	"	"	"	"	"	4B	"	"	"	
"	I <sub>IL</sub>	3009	33	0.3 V	5.5 V	"	"	"	5.5 V	5.5 V	"	5.5 V	5.5 V	"	5.5 V	"	"	1A	-60	-180	"	
"	"	"	34	5.5 V	0.3 V	"	"	"	5.5 V	5.5 V	"	"	"	"	"	"	"	1B	"	"	"	
"	"	"	35	"	5.5 V	"	"	"	"	"	"	"	"	"	"	"	"	2A	"	"	"	
"	"	"	36	"	"	"	"	"	0.3 V	5.5 V	"	"	"	"	"	"	"	2A	"	"	"	
"	"	"	37	"	"	"	"	"	5.5 V	0.3 V	"	"	"	"	"	"	"	2B	"	"	"	
"	"	"	38	"	"	"	"	"	"	5.5 V	"	"	"	"	"	"	"	2B	"	"	"	
"	"	"	39	"	"	"	"	"	"	"	"	"	"	"	"	"	"	3A	"	"	"	
"	"	"	40	"	"	"	"	"	"	"	"	"	"	"	"	"	"	3A	"	"	"	
"	"	"	40	"	"	"	"	"	"	"	"	"	"	"	"	"	"	3B	"	"	"	
"	"	"	40	"	"	"	"	"	"	"	"	"	"	"	"	"	"	3B	"	"	"	
"	"	"	40	"	"	"	"	"	"	"	"	"	"	"	"	"	"	4A	"	"	"	
"	"	"	40	"	"	"	"	"	"	"	"	"	"	"	"	"	"	4A	"	"	"	
"	"	"	40	"	"	"	"	"	"	"	"	"	"	"	"	"	"	4B	"	"	"	
"	"	"	40	"	"	"	"	"	"	"	"	"	"	"	"	"	"	4B	"	"	"	
"	I <sub>GCH</sub>	3005	41	GND	GND	"	"	"	GND	GND	"	GND	GND	"	GND	GND	"	V <sub>CC</sub>		0.80	mA	
"	I <sub>OCL</sub>	3005	42	5.5 V	5.5 V	"	"	"	5.5 V	5.5 V	"	5.5 V	5.5 V	"	5.5 V	5.5 V	"	V <sub>CC</sub>		2.04	mA	
2	Same tests, terminal conditions and limits as for subgroup 1, except T <sub>C</sub> = 125°C.																					
3	Same tests, terminal conditions and limits as for subgroup 1, except T <sub>C</sub> = -55°C.																					

TABLE III. Group A inspection for device type 04 – Continued.  
Terminal conditions (pins not designated are open)

Subgroup	Symbol	MIL-STD-883 method	Case A,B,D		1	2	3	4	5	6	7	8	9	10	11	12	13	14	Meas. terminal	Test limits		
			Case C	1	2	3	14	6	4	5	8	9	10	7	12	13	11	Min		Max	Unit	
			Test No.	1A	1B	1Y	V <sub>CC</sub>	2Y	2A	2B	3Y	3A	3B	GND	4A	4B	4Y					
9 T <sub>C</sub> = 25°C	t <sub>PHL</sub>	3003 (Fig. 4)	43 CKT A	IN	2.4 V	OUT	5.0 V												1A to 1Y	3	66	ns
	"	"	43 CKT B	IN	2.4 V	OUT	"												1A to 1Y	"	50	"
	"	"	44 CKT A						OUT	IN	2.4 V								2A to 2Y	"	66	"
	"	"	44 CKT B						OUT	IN	2.4 V								2A to 2Y	"	50	"
	"	"	45 CKT A									OUT	IN	2.4 V					3A to 3Y	"	66	"
	"	"	45 CKT B									OUT	IN	2.4 V					3A to 3Y	"	50	"
	"	"	46 CKT A												IN	2.4 V		OUT	4A to 4Y	"	66	"
	"	"	46 CKT B												IN	2.4 V		OUT	4A to 4Y	"	50	"
	"	t <sub>PLH</sub>	"	47 CKT A	IN	2.4 V	OUT	"											1A to 1Y	"	60	"
	"	"	"	47 CKT B	IN	2.4 V	OUT	"											1A to 1Y	"	45	"
	"	"	"	48 CKT A					OUT	IN	2.4 V								2A to 2Y	"	60	"
	"	"	"	48 CKT B					OUT	IN	2.4 V								2A to 2Y	"	45	"
	"	"	"	49 CKT A								OUT	IN	2.4 V					3A to 3Y	"	60	"
	"	"	"	49 CKT B								OUT	IN	2.4 V					3A to 3Y	"	45	"
"	"	"	50 CKT A											IN	2.4 V		OUT	4A to 4Y	"	60	"	
"	"	"	50 CKT B											IN	2.4 V		OUT	4A to 4Y	"	45	"	
10 T <sub>C</sub> =125°C	t <sub>PHL</sub>	"	51 CKT A	IN	2.4 V	OUT	"												1A to 1Y	"	99	"
	"	"	51 CKT B	IN	2.4 V	OUT	"												1A to 1Y	"	60	"
	"	"	52 CKT A						OUT	IN	2.4 V								2A to 2Y	"	99	"
	"	"	52 CKT B						OUT	IN	2.4 V								2A to 2Y	"	60	"
	"	"	53 CKT A									OUT	IN	2.4 V					3A to 3Y	"	99	"
	"	"	53 CKT B									OUT	IN	2.4 V					3A to 3Y	"	60	"
	"	"	54 CKT A												IN	2.4 V		OUT	4A to 4Y	"	99	"
	"	"	54 CKT B												IN	2.4 V		OUT	4A to 4Y	"	60	"
	"	t <sub>PLH</sub>	"	55 CKT A	IN	2.4 V	OUT	"											1A to 1Y	"	90	"
	"	"	"	55 CKT B	IN	2.4 V	OUT	"											1A to 1Y	"	55	"
	"	"	"	56 CKT A					OUT	IN	2.4 V								2A to 2Y	"	90	"
	"	"	"	56 CKT B					OUT	IN	2.4 V								2A to 2Y	"	55	"
	"	"	"	57 CKT A								OUT	IN	2.4 V					3A to 3Y	"	90	"
	"	"	"	57 CKT B								OUT	IN	2.4 V					3A to 3Y	"	55	"
"	"	"	58 CKT A											IN	2.4 V		OUT	4A to 4Y	"	90	"	
"	"	"	58 CKT B											IN	2.4 V		OUT	4A to 4Y	"	55	"	
11	Same tests, terminal conditions and limits as for subgroup 10, except T <sub>C</sub> = -55°C.																					

TABLE III. Group A inspection for device type 05.  
Terminal conditions (pins not designated are open)

Subgroup	Symbol	MIL-STD-883 method	Case A,B,D		1	2	3	4	5	6	7	8	9	10	11	12	13	14	Meas. terminal	Test limits			
			Case C	1	4	3	14	5	6	9	8	11	10	7	12	13	2	Min		Max	Unit		
			Test No.	1A	2Y	2A	V <sub>CC</sub>	3A	3Y	4A	4Y	5A	5Y	GND	6Y	6A	1Y						
1 T <sub>C</sub> = 25°C	V <sub>OL</sub>	3007	1	2.0 V		5.5 V	4.5 V*	5.5 V		5.5 V		5.5 V			GND		5.5 V	2mA	1Y		0.3	V	
	"	"	2	5.5 V	2mA	2.0 V	"	5.5 V		"		"			"		"	"	2Y		"	"	
	"	"	3	"	"	5.5 V	"	"		2mA		"			"		"	"	3Y		"	"	
	"	"	4	"	"	"	"	"		"	2mA	"			"		"	"	4Y		"	"	
	"	"	5	"	"	"	"	"		"	"	2mA			"		"	"	5Y		"	"	
	"	"	6	"	"	"	"	"		"	"	"	2mA		"	2mA	2.0 V	"	6Y		"	"	
	"	V <sub>OH</sub>	3006	7	0.7 V		"	"	"		"		"		"		5.5 V	-100μA	1Y	2.4		"	"
	"	"	"	8	5.5 V	-100μA	0.7 V	"	"		"		"		"		"	"	2Y	"		"	"
	"	"	"	9	"	"	5.5 V	"	0.7 V	-100μA	"		"		"		"	"	3Y	"		"	"
	"	"	"	10	"	"	"	"	5.5 V	"	0.7 V	-100μA	"		"		"	"	4Y	"		"	"
	"	"	"	11	"	"	"	"	"	"	5.5 V	"	0.7 V	-100μA	"		"	"	5Y	"		"	"
	"	"	"	12	"	"	"	"	"	"	"	"	5.5 V	"	-100μA	0.7 V	"	"	6Y	"		"	"
	"	I <sub>OS</sub>	3011	13	GND	GND	GND	5.5 V		GND	GND	GND			"			GND	1Y	-3	-15	mA	
	"	"	"	14	"	GND	"	"	GND	"	"	"	"		"			"	2Y	"		"	"
	"	"	"	15	"	"	"	"	"	"	"	"	"		"			"	3Y	"		"	"
	"	"	"	16	"	"	"	"	"	"	GND	GND	"		"			"	4Y	"		"	"
	"	"	"	17	"	"	"	"	"	"	"	"	GND	GND	"			"	5Y	"		"	"
	"	"	"	18	"	"	"	"	"	"	"	"	"	GND	"	GND	GND	"	6Y	"		"	"
	"	I <sub>IH1</sub>	3010	19	2.4 V		GND	"	GND		GND		GND		"		"	"	1A		10	μA	
	"	"	"	20	GND		2.4 V	"	GND		"		"		"		"	"	2A		"	"	
	"	"	"	21	"		GND	"	2.4 V		"		"		"		"	"	3A		"	"	
	"	"	"	22	"		"	"	"		2.4 V		"		"		"	"	4A		"	"	
	"	"	"	23	"		"	"	GND		"		"		"		"	"	5A		"	"	
	"	"	"	24	"		"	"	"		"		2.4 V		"		"	"	6A		"	"	
	"	I <sub>IH2</sub>	"	25	5.5 V		"	"	"		"		"		"		GND	"	1A		100	"	
	"	"	"	26	GND		"	"	"		"		"		"		"	"	2A		"	"	
	"	"	"	27	"		5.5 V	"	"		"		"		"		"	"	3A		"	"	
	"	"	"	28	"		GND	"	"		"		"		"		"	"	4A		"	"	
	"	"	"	29	"		"	"	GND		5.5 V		"		"		"	"	5A		"	"	
	"	"	"	30	"		"	"	"		GND		5.5 V		"		"	"	6A		"	"	
	"	I <sub>IL</sub>	3009	31	0.3 V		5.5 V	"	5.5 V		5.5 V		5.5 V		"		"	"	1A	-60	-180	"	
	"	"	"	32	5.5 V		0.3 V	"	5.5 V		"		"		"		"	"	2A	"	"	"	
	"	"	"	33	"		5.5 V	"	0.3 V		"		"		"		"	"	3A	"	"	"	
	"	"	"	34	"		"	"	5.5 V		0.3 V		"		"		"	"	4A	"	"	"	
	"	"	"	35	"		"	"	"		5.5 V		"		"		"	"	5A	"	"	"	
	"	"	"	36	"		"	"	"		"		0.3 V		"		"	"	6A	"	"	"	
	"	I <sub>CCI</sub>	3005	37	"		"	"	"		"		5.5 V		"		5.5 V	"	V <sub>CC</sub>			3.10	mA
	"	I <sub>CCH</sub>	3005	38	GND		GND	"	GND		"		GND		"		GND	"	V <sub>CC</sub>			1.20	mA
2	Same tests, terminal conditions and limits as for subgroup 1, except T <sub>C</sub> = 125°C.																						
3	Same tests, terminal conditions and limits as for subgroup 1, except T <sub>C</sub> = -55°C.																						

TABLE III. Group A inspection for device type 05 – Continued.  
Terminal conditions (pins not designated are open)

Subgroup	Symbol	MIL-STD-883 method	Case A,B,D Case C Test No.	1	2	3	4	5	6	7	8	9	10	11	12	13	14	Meas. terminal	Test limits				
				1A	2Y	2A	14	5	6	9	8	11	10	7	12	13	2		Min	Max	Unit		
				V <sub>CC</sub>													1Y						
9 T <sub>C</sub> = 25°C	t <sub>PHL</sub>	3003 (Fig. 4)	39 CKT A	IN			5.0 V							GND				OUT	1A to 1Y	3	66	ns	
	"	"	39 CKT B	IN			"							"				OUT	1A to 1Y	"	50	"	
	"	"	40 CKT A		OUT		"							"					1A to 1Y	"	66	"	
	"	"	40 CKT B		OUT		"							"					2A to 2Y	"	50	"	
	"	"	41 CKT A			IN	"		IN	OUT				"					2A to 2Y	"	66	"	
	"	"	41 CKT B				"		IN	OUT				"					3A to 3Y	"	50	"	
	"	"	42 CKT A				"				IN	OUT		"					3A to 3Y	"	66	"	
	"	"	42 CKT B				"				IN	OUT		"					4A to 4Y	"	50	"	
	"	"	43 CKT A				"						IN	OUT					4A to 4Y	"	66	"	
	"	"	43 CKT B				"						IN	OUT					5A to 5Y	"	50	"	
	"	"	44 CKT A				"								OUT		IN		5A to 5Y	"	66	"	
	"	"	44 CKT B				"								OUT		IN		6A to 6Y	"	50	"	
	"	t <sub>PLH</sub>	"	45 CKT A	IN			"							"				OUT	1A to 1Y	"	60	"
	"	"	"	45 CKT B	IN			"							"				OUT	1A to 1Y	"	45	"
	"	"	"	46 CKT A		OUT		"							"					2A to 2Y	"	60	"
	"	"	"	46 CKT B		OUT		"							"					2A to 2Y	"	45	"
	"	"	"	47 CKT A			IN	"		IN	OUT				"					3A to 3Y	"	60	"
	"	"	"	47 CKT B				"		IN	OUT				"					3A to 3Y	"	45	"
	"	"	"	48 CKT A				"				IN	OUT		"					4A to 4Y	"	60	"
	"	"	"	48 CKT B				"				IN	OUT		"					4A to 4Y	"	45	"
"	"	"	49 CKT A				"					IN	OUT	"					5A to 5Y	"	60	"	
"	"	"	49 CKT B				"					IN	OUT	"					5A to 5Y	"	45	"	
"	"	"	50 CKT A				"							"	OUT		IN		6A to 6Y	"	60	"	
"	"	"	50 CKT B				"							"	OUT		IN		6A to 6Y	"	45	"	
10 T <sub>C</sub> =125°C	t <sub>PHL</sub>	"	51 CKT A	IN			"							"				OUT	1A to 1Y	"	99	"	
	"	"	51 CKT B	IN			"							"					1A to 1Y	"	60	"	
	"	"	52 CKT A		OUT		"							"					2A to 2Y	"	99	"	
	"	"	52 CKT B		OUT		"							"					2A to 2Y	"	60	"	
	"	"	53 CKT A			IN	"		IN	OUT				"					3A to 3Y	"	99	"	
	"	"	53 CKT B				"		IN	OUT				"					3A to 3Y	"	60	"	
	"	"	54 CKT A				"				IN	OUT		"					4A to 4Y	"	99	"	
	"	"	54 CKT B				"				IN	OUT		"					4A to 4Y	"	60	"	
	"	"	55 CKT A				"						IN	OUT	"				5A to 5Y	"	99	"	
	"	"	55 CKT B				"						IN	OUT	"				5A to 5Y	"	60	"	
	"	"	56 CKT A				"								"	OUT		IN		6A to 6Y	"	99	"
	"	"	56 CKT B				"								"	OUT		IN		6A to 6Y	"	60	"
11	t <sub>PLH</sub>	"	57 CKT A	IN			"							"				OUT	1A to 1Y	"	90	"	
	"	"	57 CKT B	IN			"							"					1A to 1Y	"	55	"	
	"	"	58 CKT A		OUT		"							"					2A to 2Y	"	90	"	
	"	"	58 CKT B		OUT		"							"					2A to 2Y	"	55	"	
	"	"	59 CKT A			IN	"							"					3A to 3Y	"	90	"	
	"	"	59 CKT B				"		IN	OUT				"					3A to 3Y	"	55	"	
	"	"	60 CKT A				"							"					4A to 4Y	"	90	"	
	"	"	60 CKT B				"							"					4A to 4Y	"	55	"	
	"	"	61 CKT A				"							"					5A to 5Y	"	90	"	
	"	"	61 CKT B				"						IN	OUT	"				5A to 5Y	"	55	"	
	"	"	62 CKT A				"								"	OUT		IN		6A to 6Y	"	90	"
	"	"	62 CKT B				"								"	OUT		IN		6A to 6Y	"	55	"

TABLE III. Group A inspection for device type 06.  
Terminal conditions (pins not designated are open)

Subgroup	Symbol	MIL-STD-883 method	Case A,B,D Case C Test No.	1	2	3	4	5	6	7	8	9	10	11	12	13	14	Meas. terminal	Test limits			
				1A	1B	1Y	V <sub>CC</sub>	2Y	2A	2B	3Y	3A	3B	GND	4A	4B	4Y		Min	Max	Unit	
				1	2	3	14	6	4	5	8	9	10	7	12	13	11		1Y	2Y	3Y	4Y
1 T <sub>C</sub> = 25°C	V <sub>OL</sub>	3007	1	2.0 V	2.0 V	2mA	4.5 V		5.5 V	5.5 V		5.5 V	5.5 V	GND	5.5 V	5.5 V		1Y		0.3	V	
	"	"	2	5.5 V	5.5 V			2mA	2.0 V	2.0 V		5.5 V	5.5 V					2Y				
	"	"	3						5.5 V	5.5 V		2mA	2.0 V					3Y				
	"	"	4										5.5 V					4Y				
	"	I <sub>CEX</sub>	"	5	0.6 V	4.5 V	5.5 V								5.5 V	5.5 V		1Y		50	μA	
	"	"	"	6	4.5 V	0.6 V												1Y				
	"	"	"	7	5.5 V	5.5 V			5.5 V	0.6 V	4.5 V							2Y				
	"	"	"	8						4.5 V	0.6 V							2Y				
	"	"	"	9						5.5 V	5.5 V	5.5 V	5.5 V					3Y				
	"	"	"	10								5.5 V	0.6 V	4.5 V				3Y				
	"	"	"	11												0.6 V	4.5 V	5.5 V	4Y			
	"	"	"	12												4.5 V	0.6 V	5.5 V	4Y			
	"	I <sub>IH1</sub>	3010	13	2.4 V	GND		5.5 V		GND	GND		GND	GND		GND	GND		1A		10	"
	"	"	"	14	GND	2.4 V				GND									1B			
	"	"	"	15		GND				2.4 V									2A			
	"	"	"	16						GND									2B			
	"	"	"	17							2.4 V								3A			
	"	"	"	18									2.4 V						3B			
	"	"	"	19									GND	2.4 V					4A			
	"	"	"	20									GND	GND		2.4 V			4B			
"	I <sub>IH2</sub>	"	21	5.5 V	GND					GND			GND			GND		1A		100	"	
"	"	"	22	GND	5.5 V					GND								1B				
"	"	"	23		GND				5.5 V	GND								2A				
"	"	"	24							GND								2B				
"	"	"	25									5.5 V						3A				
"	"	"	26															3B				
"	"	"	27									GND	5.5 V					4A				
"	"	"	28										GND	5.5 V		5.5 V		4B				
"	I <sub>IL</sub>	3009	29	0.3 V	5.5 V				5.5 V			5.5 V			5.5 V			1A	-60	-180	"	
"	"	"	30	5.5 V	0.3 V													1B				
"	"	"	31		5.5 V													2A				
"	"	"	32															2B				
"	"	"	33															3A				
"	"	"	34									0.3 V						3B				
"	"	"	35									5.5 V						4A				
"	"	"	36												0.3 V	0.3 V		4B				
"	I <sub>OCL</sub>	3005	37												5.5 V	5.5 V		V <sub>CC</sub>		2.04	mA	
"	I <sub>OCH</sub>	3005	38	GND	GND				GND	GND					GND	GND		V <sub>CC</sub>		0.80	mA	
2	Same tests, terminal conditions and limits as for subgroup 1, except T <sub>C</sub> = 125°C																					
3	Same tests, terminal conditions and limits as for subgroup 1, except T <sub>C</sub> = -55°C																					
9 T <sub>C</sub> = 25°C	t <sub>PHL</sub>	3003 (Fig. 5)	39	IN	2.4 V	OUT	5.0 V		OUT	IN	2.4 V			GND				1A to 1Y	3	66	ns	
	"	"	40															2A to 2Y				
	"	"	41								OUT	IN	2.4 V					3A to 3Y				
	"	"	42												IN	2.4 V	OUT	4A to 4Y				
	"	t <sub>PLH</sub>	"	43	IN	2.4 V	OUT			OUT	IN	2.4 V							1A to 1Y		90	"
"	"	"	44															2A to 2Y				
"	"	"	45															3A to 3Y				
"	"	"	46												IN	2.4 V	OUT	4A to 4Y				
10 T <sub>C</sub> = 125°C	t <sub>PHL</sub>	3003 (Fig. 5)	47	IN	2.4 V	OUT			OUT	IN	2.4 V							1A to 1Y		99	"	
	"	"	48															2A to 2Y				
	"	"	49								OUT	IN	2.4 V					3A to 3Y				
	"	"	50													IN	2.4 V	OUT	4A to 4Y			
	"	t <sub>PLH</sub>	"	51	IN	2.4 V	OUT			OUT	IN	2.4 V							1A to 1Y		140	"
"	"	"	52															2A to 2Y				
"	"	"	53															3A to 3Y				
"	"	"	54								OUT	IN	2.4 V					4A to 4Y				
11	Same tests, terminal conditions and limits as for subgroup 10, except T <sub>C</sub> = -55°C.																					

4.5 Methods of inspection. Methods of inspection shall be as specified in the appropriate tables and as follows:

4.5.1 Voltage and current. All voltages given are referenced to the microcircuit ground terminal. Currents given are conventional current and positive when flowing into the referenced terminal.

## 5. PACKAGING

5.1 Packaging requirements. For acquisition purposes, the packaging requirements shall be as specified in the contract or order (see 6.2). When packaging of materiel is to be performed by DoD or in-house contractor personnel, these personnel need to contact the responsible packaging activity to ascertain packaging requirements. Packaging requirements are maintained by the Inventory Control Point's packaging activity within the Military Service or Defense Agency, or within the military service's system command. Packaging data retrieval is available from the managing Military Department's or Defense Agency's automated packaging files, CD-ROM products, or by contacting the responsible packaging activity.

## 6. NOTES

(This section contains information of a general or explanatory nature that may be helpful, but it not mandatory)

6.1 Intended use. Microcircuits conforming to this specification are intended for logistic support of existing equipment.

6.2 Acquisition requirements. Acquisition documents should specify the following:

- a. Title, number, and date of the specification.
- b. PIN and compliance identifier, if applicable (see 1.2).
- c. Requirements for delivery of one copy of the conformance inspection data pertinent to the device inspection lot to be supplied with each shipment by the device manufacturer, if applicable.
- d. Requirement for certificate of compliance, if applicable.
- e. Requirements for notification of change of product or process to acquiring activity in addition to notification to the qualifying activity, if applicable.
- f. Requirements for failure analysis (including required test condition of method 5003), corrective action and reporting of results, if applicable.
- g. Requirements for product assurance options.
- h. Requirements for carriers, special lead lengths or lead forming, if applicable. These requirements shall not affect the part number. Unless otherwise specified, these requirements will not apply to direct purchase by or direct shipment to the Government.
- i. Requirements for "JAN" marking.
- j. Packaging requirements (see 5.1).

6.3 Qualification. With respect to products requiring qualification, awards will be made only for products which are, at the time of award of contract, qualified for inclusion in Qualified Manufacturers List QML-38535 whether or not such products have actually been so listed by that date. The attention of the contractors is called to these requirements, and manufacturers are urged to arrange to have the products that they propose to offer to the Federal Government tested for qualification in order that they may be eligible to be awarded contracts or purchase orders for the products covered by this specification. Information pertaining to qualification of products may be obtained from DSCC-VQ, 3990 E. Broad Street, Columbus, Ohio 43123-1199.

6.4 Superseding information. The requirements of MIL-M-38510 have been superseded to take advantage of the available Qualified Manufacturer Listing (QML) system provided by MIL-PRF-38535. Previous references to MIL-M-38510 in this document have been replaced by appropriate references to MIL-PRF-38535. All technical requirements now consist of this specification and MIL-PRF-38535. The MIL-M-38510 specification sheet number and PIN have been retained to avoid adversely impacting existing government logistics systems and contractor's parts lists.

6.5 Abbreviations, symbols and definitions. The abbreviations, symbols, and definitions used herein are defined in MIL-PRF-38535 and MIL-HDBK-1331, and as follows:

GND ..... Electrical ground (common terminal)  
 V<sub>IN</sub> ..... Voltage level at an input terminal

6.6 Logistic support. Lead materials and finishes (see 3.3) are interchangeable. Unless otherwise specified, microcircuits acquired for Government logistic support will be acquired to device class B (see 1.2.2), lead material and finish A (see 3.4). Longer lead lengths and lead forming shall not affect the part number.

6.7 Substitutability. The cross-reference information below is presented for the convenience of users. Microcircuits covered by this specification will functionally replace the listed generic-industry type. Generic-industry microcircuit types may not have equivalent operational performance characteristics across military temperature ranges or reliability factors equivalent to MIL-M-35810 device types and may have slight physical variations in relation to case size. The presence of this information should not be deemed as permitting substitution of generic-industry types for MIL-M-38510 types or as a waiver of any of the provisions of MIL-PRF-38535.

<u>Device type</u>	<u>Commercial type</u>
01	54L30
02	54L20
03	54L10
04	54L00
05	54L04
06	54L03 (case C only) and 54L01 (case A, B, and D)

6.8 Changes from previous issue. Marginal notations are not used in this revision to identify changes with respect to the previous issue due to the extensiveness of the changes.

Custodians:  
 Army - CR  
 Navy - EC  
 Air Force - 11  
 DLA - CC

Preparing activity:  
 DLA - CC  
 (Project 5962-2110)

Review activities:  
 Army - MI, SM  
 Navy - AS, CG, MC, SH, TD  
 Air Force - 03, 19, 99

NOTE: The activities listed above were interested in this document as of the date of this document. Since organizations and responsibilities can change, you should verify the currency of the information above using the ASSIST Online database at <http://assist.daps.dla.mil>.