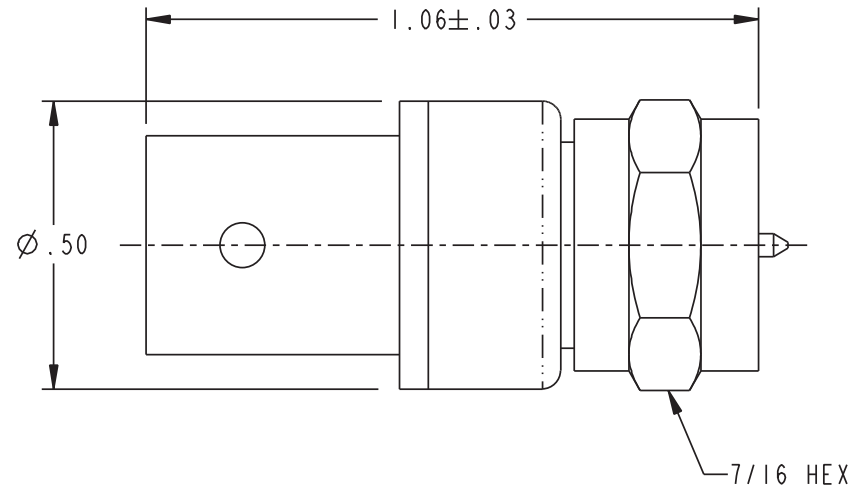
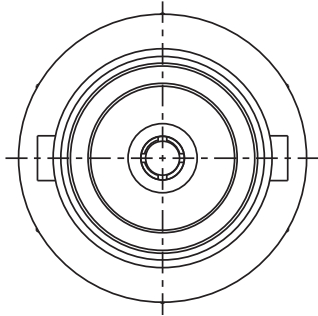
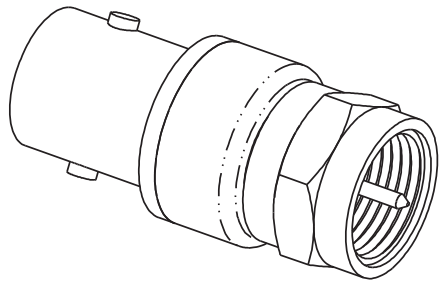


DATA CONTAINED IN THIS DOCUMENT IS PROPRIETARY TO EMERSON CONNECTIVITY SOLUTIONS AND SHALL NOT BE DISCLOSED, COPIED OR USED FOR PROCUREMENT OR MANUFACTURE WITHOUT EXPRESS WRITTEN PERMISSION

REVISIONS


REV	DESCRIPTIONS	DATE	APPROVED
B	REVISED PER ECO 14453	3/12/02	



2. FINISH
HOUSING: TFS-1A (NICKEL)
CONTACT: TFS-1B (GOLD)

1. BETWEEN SERIES 75Ω COAXIAL FEMALE BNC TO MALE 'F' ADAPTER

NOTES: UNLESS OTHERWISE SPECIFIED.

INTERPRET DRAWING PER MIL-STD-100. DIMENSIONS ARE IN INCHES AND INCLUDE FINISH THICKNESS UNLESS OTHERWISE SPECIFIED.		TOL: UNLESS SPECIFIED. .XX ± .02 .XXX ± .010 ANGLE ± 1°		 Cinch Connectivity Solutions 299 Johnson Ave. Ste. 100 Waseca, MN 56093 1-800-247-8256	
DRN JCM	3/5/02	MATERIAL:	TITLE: AD1300		
CHK		FINISH:	SIZE A	CAGE CODE 14949	DRAWING NO. C_1-0612
QUALITY			SCALE 3/1	DATE 11/6/01	REV. B
MANUF		DO NOT SCALE DWG	SHEET 1 OF 2		
APPROVED					
SURFACE AREA	PROJ FILE NO. 1-0612				