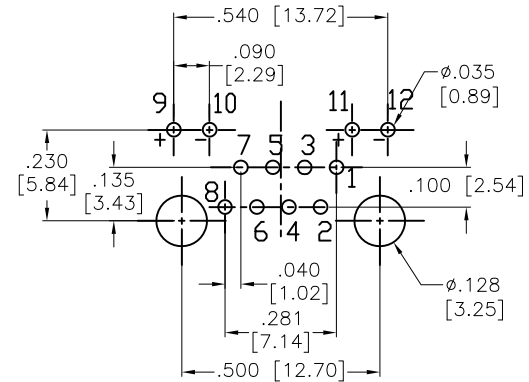
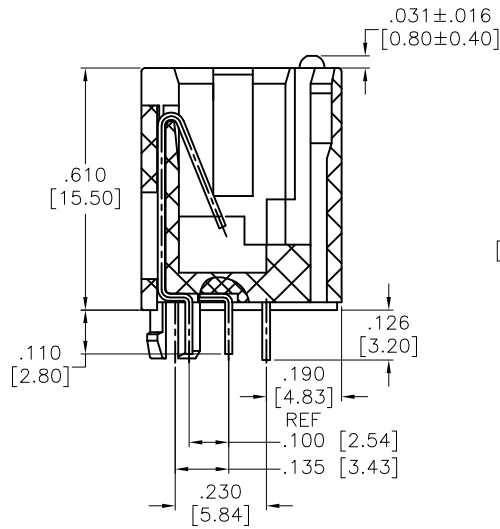
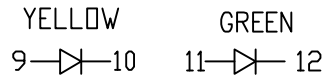
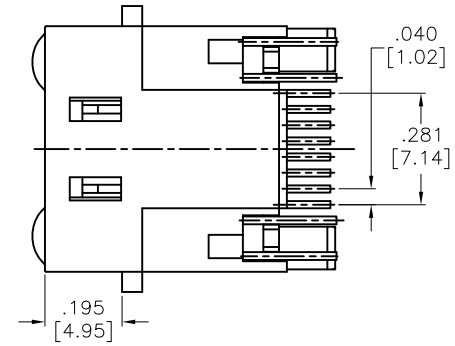
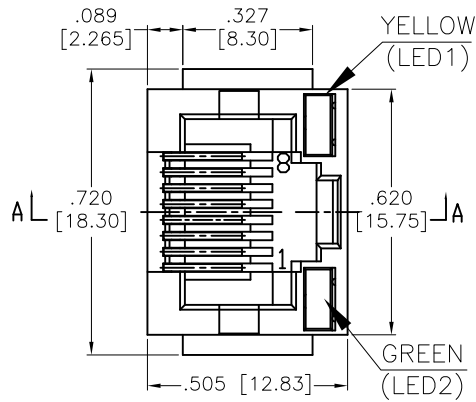
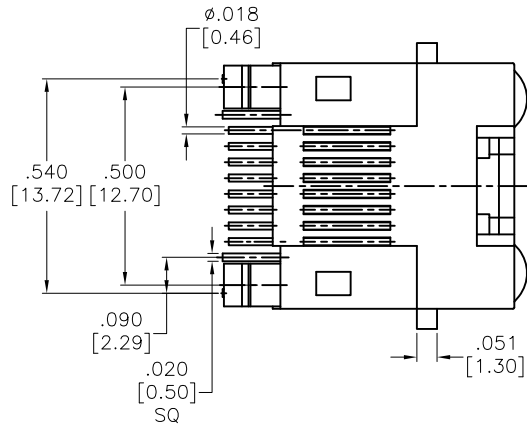


APPROVED: \_\_\_\_\_  
 DATE: \_\_\_\_\_ TITLE: \_\_\_\_\_

Rev	AWO #	Description	Date	Appr
-		RELEASED	11/02/10	
A		UPDATE SPEC.	8/30/18	AY/RC
B		ADDED DIM.	3/9/21	LH/TL



RECOMMENDED P.C.B. LAYOUT

SECTION A-A

**SPECIFICATIONS:**

Material:  
 Insulator: PBT, rated UL 94V-0  
 Insulator color: Black  
 Contacts: Phosphor Bronze  
 Plating:  
 Round contact  
 Gold over Nickel underplate overall  
 Flat contact  
 Gold over Nickel underplate on contact area,  
 Tin over Nickel underplate on solder tails

Electrical:  
 Voltage rating: 150 VAC RMS  
 Current rating: 1.5 Amp  
 Contact resistance: 20 mohms max  
 Insulation resistance: 1000 Mohms min @ 500 VDC  
 Dielectric withstanding voltage: 1000V AC/DC  
 Temperature Rating:  
 Operating temperature: -40°C to +85°C  
 Environmental:  
 Lead free, RoHS compliant.



UNLESS OTHERWISE SPECIFIED ALL DIMENSIONS ARE INCHES [MM] TOLERANCES: EXCEPT AS NOTED	
INCHES	HOLES
.X ±.10	Ø.X ±.10
.XX ±.020	Ø.XX ±.015
.XXX ±.015	Ø.XXX ±.010
APPROVALS	
DRAWN	DATE
CHECKED	
APPROVED	

**ADAM TECH** 909 Rahway Avenue,  
 Union, NJ 07083  
 Phone: 908-687-5000  
 Fax: 908-687-5710

TITLE: MODULAR TELEPHONE JACK, 8P8C, PCB TYPE  
 W/LED1 YELLOW, LED2 GREEN

SIZE	PART NO.	REV.
X	MTJ-88DX1-LG	B
REF:	S00005C	SCALE: NTS
		SHEET 1 OF 1