

DF62/DF62W Series

2 × 2.2mm Pitch, Wire-to-Wire Connectors for Small Spaces



Positive-Lock



Waterproof



Slim In-Line

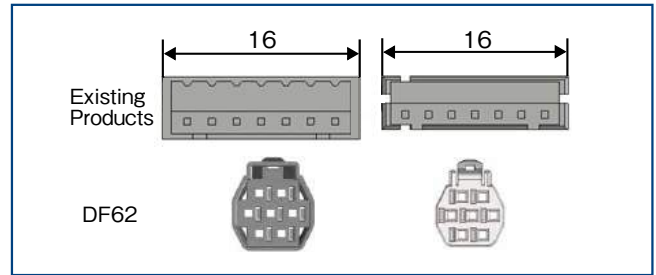


May.1.2022 Copyright 2022 HIROSE ELECTRIC CO., LTD. All Rights Reserved.

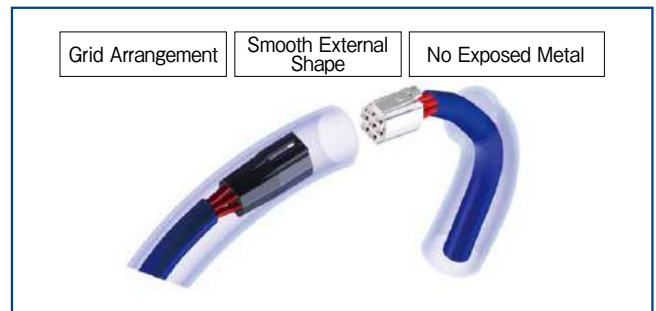
Features

1. The slim, sleek design and smooth contour combine to complete connections in tight spaces.

These connectors were designed to take full advantage of small/narrow spaces. The contacts are arranged in a grid pattern which shortens the diagonal distances and the body was slimmed down by creating smooth outer surfaces. This design helps to save precious space and makes these connectors virtually tangle free. There is no visible or exposed metal which eliminates the possibility of electrical arcing between the connector and the inside of a metal conduit.

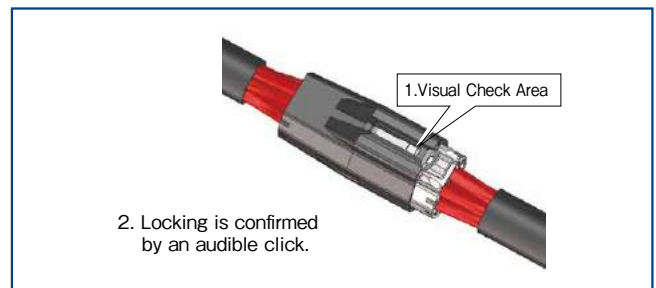


Compact shape due to 2×2 grid layout of pins (Both are 7 contacts with 3A current rating)



2. Secure lock mechanism

The friction lock emits a clear tactile click upon lock completion. The design prevents incomplete mating and connector disconnection. The socket lock can be visually checked through the plug window after mating. These indicators function together to prevent incomplete mating.

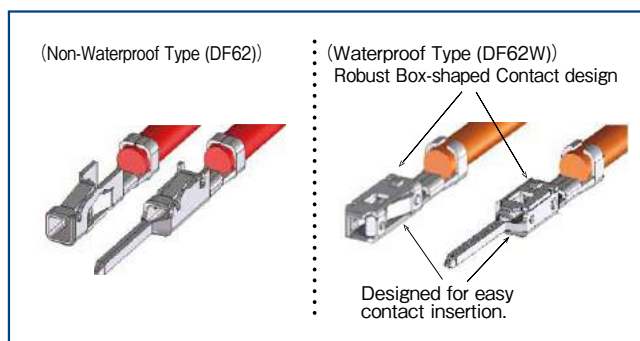


3. Reliable contact design

Two-point contact design that maintains contact reliability.

4. Robust contact design

The unique design provides protection to the contacts and lance areas and it prevents any bending or deformity that might occur during mating, assembly or transportation.



5. Multiple variations available

There are several different wire counts available, giving the designer a wide variety to choose from for the application. Protected lock type, panel mount type and pin header type are also available.

6. Applicator sharing

The applicators for the DF11 and DF59 Series (existing products) can be adapted to accommodate the DF62 Series applicators.

Note 1 : The DF11 Series applicators require part replacement in order to handle the difference in contact length. However once replaced the applicator can be used with DF11, DF59 and DF62.

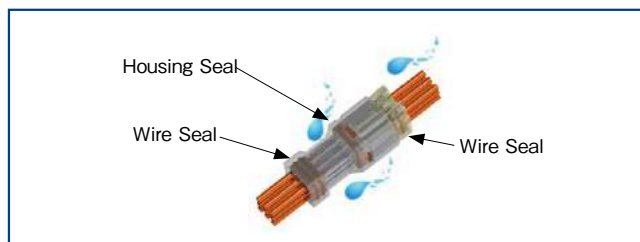
Note 2 : The die and hand tool are used only for the in designated purposes.

Note 3 : Please contact Hirose for additional details.

7. Condensation prevention (Waterproof Type DF62W)

IP67 level water-resistance in mated condition.

IP67 waterproof equivalent under specific conditions. Please contact a Hirose representative for detailed specifications and conditions.



Product Specifications

● DF62

| | | | | | | |
|------------------------|------------|--------|--------|-----------|------------------------------------|--------------|
| Rated Current (Note 1) | No of Pos. | 22 AWG | 24 AWG | 26-30 AWG | Operating Temperature (Note 2) | -35 ~ +105°C |
| | 2 | 4A | 2A | 1A | Storage Temperature Range (Note 4) | -10 ~ +60°C |
| | 3 | 3A | 2A | 1A | Operating Humidity Range (Note 3) | 20 ~ 80% |
| | 4 | 3A | 2A | 1A | Storage Humidity Range (Note 4) | 40 ~ 70% |
| | 5 | 3A | 2A | 1A | | |
| | 6 | 3A | 2A | 1A | | |
| | 7 | 3A | 2A | 1A | | |
| | 13 | 3A | 2A | 1A | | |
| | 24 | 2.5A | 2A | 1A | | |
| Rated Voltage | AC/DC 250V | | | | | |

| | | | | |
|----|---------------|-------------|--------------------------------|-------------|
| UL | Rated Voltage | AC/DC 29.9V | Operating Temperature (Note 2) | -35 ~ +75°C |
|----|---------------|-------------|--------------------------------|-------------|

| | | | | |
|------|---------------|-------------|--------------------------------|-------------|
| C-UL | Rated Voltage | AC/DC 29.9V | Operating Temperature (Note 2) | -35 ~ +75°C |
|------|---------------|-------------|--------------------------------|-------------|

● DF62W

| | | | | | | | |
|------------------------|------------|--------|--------|--------|--------|------------------------------------|--------------|
| Rated Current (Note 1) | No of Pos. | 20 AWG | 22 AWG | 24 AWG | 26 AWG | Operating Temperature (Note 2) | -40 ~ +105°C |
| | 2 | 5A | 4A | 3.5A | 3A | Storage Temperature Range (Note 4) | -10 ~ +60°C |
| | 3 | 3.5A | 3A | 2A | 1A | Operating Humidity Range (Note 3) | 20 ~ 80% |
| | 4 | 3.5A | 3A | 2A | 1A | Storage Humidity Range (Note 4) | 40 ~ 70% |
| | 6 | 3.5A | 3A | 2A | 1A | | |
| | 9 | 3.5A | 3A | 2A | 1A | | |
| Rated Voltage | AC/DC 250V | | | | | | |

| | | | | |
|----|---------------|-------------|--------------------------------|-------------|
| UL | Rated Voltage | AC/DC 29.9V | Operating Temperature (Note 2) | -40 ~ +75°C |
|----|---------------|-------------|--------------------------------|-------------|

| | | | | |
|------|---------------|-------------|--------------------------------|-------------|
| C-UL | Rated Voltage | AC/DC 29.9V | Operating Temperature (Note 2) | -40 ~ +75°C |
|------|---------------|-------------|--------------------------------|-------------|

UL File Name
 UL : E52653
 C-UL : E52653

| Items | Specifications | Conditions |
|------------------------|--|---|
| Insulation Resistance | Minimum of 1,000M Ω | Measured with 500V DC |
| Withstanding Voltage | No flashover or breakdown | Apply 650V AC for 1 min. |
| Contact Resistance | Maximum of 30m Ω | Measured at a maximum of 20mV and 100mA (DC or 1000Hz) |
| Vibration Resistance | No electrical discontinuity of 1 μ s or longer | 10 cycles in each of three directions at frequency 10-55Hz, half amplitude 0.75mm |
| Shock Resistance | No electrical discontinuity of 1 μ s or longer | Acceleration : 490m/s ² , 11ms, Semi-sinusoidal 3 axle direction 3 times each. |
| Humidity Resistance | Contact Resistance : Maximum of 30m Ω Insulation Resistance : Minimum of 1,000M Ω | Left at temperature 40 \pm 2 $^{\circ}$ C , humidity 90 to 95%, 96 hours |
| Temperature Cycles | Contact Resistance : Maximum of 30m Ω Insulation Resistance : Minimum of 1,000M Ω | -55 $^{\circ}$ C : 30 minutes \rightarrow 5 to 35 $^{\circ}$ C : 2 to 3 minutes \rightarrow 85 $^{\circ}$ C : 30 minutes \rightarrow 5 to 35 $^{\circ}$ C : 2 to 3 minutes, 5 cycles |
| Mating Durability | Contact Resistance : Maximum of 30m Ω | Mating/unmating : 30 mating cycles |
| Solder Heat Resistance | There should be no melting of the resin part affecting performance. | Flow : 260 $^{\circ}$ C , 10sec Hand soldering : temperature of soldering iron at 300 $^{\circ}$ C for 3sec. |

Note 1 : This is the maximum current rating while all pins are powered or used as all power lines. When isolating power lines into multiple circuits, current ratings may go above the stated current ratings. Please consult Hirose for details before doing this.

Note 2 : Includes the temperature rise of power lines.

Note 3 : The connector should be completely dry (no condensation present)

Note 4 : The term "storage" refers to the long-term storage condition of unused products before PCB mounting. The operating temperature and humidity ranges are applied while in a non-energized state, while in transport or after PCB mounting.

Materials / Finish

| Item | Component | Material | | Finish | UL Flammability Rating |
|--------------------------|-----------------|--------------------|----------------------|-----------------------------|------------------------|
| Socket Crimping Contact | Contact | Phosphorous Bronze | | Gold Plating or Tin Plating | - |
| Plug Crimping Contact | | | | | - |
| Crimping Socket | Insulator | PBT | | White | UL94V-0 |
| Crimping Plug | | | | Black | |
| Crimping Socket (Note 1) | Seal | Silicone Rubber | | Bengala | - |
| Crimping Plug (Note 1) | | | | | |
| Header | Insulator | DF62 | Straight : Polyamide | Black | UL94V-0 |
| | | | Right Angle : PBT | | |
| | | DF62W | PBT | | |
| | Contact | Copper Alloy | | Gold Plating or Tin Plating | - |
| | Retention Tab | Brass | | Tin Plating | - |
| Seal (Note 1) | Silicone Rubber | | Bengala | - | |

Note 1 : Waterproof type (DF62W) only

Product Number Structure

Refer to the chart below when determining the product specifications from the product number.
Please select from the product numbers listed in this catalog when placing orders.

Note : The waterproof type and non-waterproof type are not intermateable.

■ Non-Waterproof Type

● Connector

DF62B - # S - 2.2 C (##)

① ② ③ ④ ⑤ ⑥

| | | | |
|------------------|---|-------------------|--|
| ① Series Name | DF62B (Regular Type) DF62C (Protected Lock Type) DF62P (Panel Mount Type) | ④ Contact Pitch | 2.2mm |
| ② No. of Pos. | 2, 3, 4, 5, 6, 7, 13, 24 | ⑤ Connection Part | C : Crimping Housing |
| ③ Connector Type | S : Socket EP : In-line Plug | ⑥ Color | Socket (None : White, 11 : Black, 18 : Red) In-line Plug (None : Black, 10 : White, 18 : Red) |

● Contact

DF62 - EP 2428 PCF A

① ② ③ ④ ⑤

| | | | |
|---------------------------|---|------------------------------------|--|
| ① Series Name | DF62 | ④ Contact Type / Packaging Type | SCF : Socket crimping contact, reel SC : Socket crimping contact, pieces PCF : Plug crimping contact, reel PC : Plug crimping contact, pieces |
| ② Terminal Type | EP : In-line Plug | | |
| ③ Applicable Wire Size | 22 : 22 AWG 2428 : 24 to 28 AWG 30 : 30 AWG | ⑤ Plating Type | A : Gold plating None : Tin plating |

● Connector

DF62 - # P - 2.2 DSA (##)

① ② ③ ④ ⑤ ⑥

| | | | |
|------------------|----------------|----------------------------|--|
| ① Series Name | DF62 | ⑤ Connection Part Shape | DSA : Straight Pin Header DS : Right Angle Pin Header |
| ② No. of Pos. | 13, 24 | | |
| ③ Connector Type | P : Pin Header | ⑥ Plating Type | None : Tin Plating O1 : Gold Plating |
| ④ Contact Pitch | 2.2mm | | |

Waterproof Type

Connector

DF62W - # S - 2.2 C

① ② ③ ④ ⑤

| | | | |
|---------------|---------------|-------------------------|---------------------------------|
| ① Series Name | DF62W | ③ Connector Type | S : Socket EP : In-line Plug |
| ② No. of Pos. | 2, 3, 4, 6, 9 | ④ Contact Pitch | 2.2mm |
| | | ⑤ Connection Part Shape | C : Crimping Housing |

Contact

DF62W - EP 2226 PCF A

① ② ③ ④ ⑤

| | | | |
|------------------------|--|---------------------------------|--|
| ① Series Name | DF62W | ④ Contact Type / Packaging Type | SCF : Socket Crimping Contact, Reel SC : Socket Crimping Contact, Pieces PCF : Plug Crimping Contact, Reel PC : Plug Crimping Contact, Pieces |
| ② Terminal Type | EP : In-line Plug | | |
| ③ Applicable Wire Size | 2022 : 20 to 22 AWG 2226 : 22 to 26 AWG | ⑤ Plating Type | A : Gold Plating None : Tin Plating |

Waterproof Pin

DF62W - WP

① ②

| | | | |
|---------------|-------|---------------------|---------------------|
| ① Series Name | DF62W | ② For Each Use Type | WP : Waterproof Pin |
|---------------|-------|---------------------|---------------------|

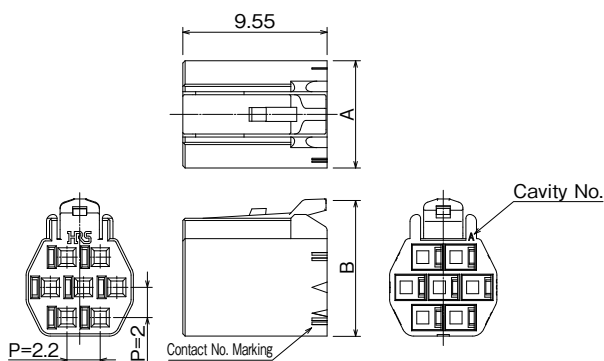
Connector

DF62WZ - # P - 2.2 DSA (##)

① ② ③ ④ ⑤ ⑥

| | | | |
|------------------|----------------|-------------------------|---------------------------------------|
| ① Series Name | DF62WZ | ④ Contact Pitch | 2.2mm |
| ② No. of Pos. | 9 | ⑤ Connection Part Shape | DSA : Straight Pin Header |
| ③ Connector Type | P : Pin Header | ⑥ Plating Type | 20 : Tin Plating 50 : Gold Plating |

Socket (Standard Type)



7pos. shown as an example.

Unit : mm

| Part No. | HRS No. | No. of Pos. | A | B | Purchase Unit |
|--------------------|------------------|-------------|------|-------|----------------|
| DF62B-2S-2.2C(##) | CL0544-0551-0-## | 2 | 4.9 | 5.08 | 100pcs per bag |
| DF62B-3S-2.2C(##) | CL0544-0552-2-## | 3 | | | |
| DF62B-4S-2.2C(##) | CL0544-0553-5-## | 4 | | | |
| DF62B-5S-2.2C(##) | CL0544-0554-8-## | 5 | 7.1 | 7.08 | |
| DF62B-6S-2.2C(##) | CL0544-0555-0-## | 6 | | | |
| DF62B-7S-2.2C(##) | CL0544-0556-3-## | 7 | | | |
| DF62B-13S-2.2C(##) | CL0544-0557-6-## | 13 | 9.3 | 11.08 | |
| DF62B-24S-2.2C(##) | CL0544-0539-4-## | 24 | 12.3 | 13.08 | |

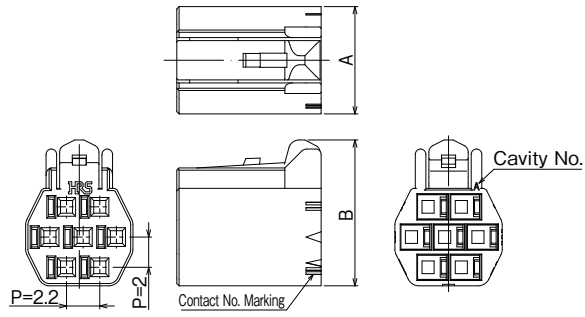
[Specification No.] -##,(##)

None : White

(11) : Black

(18) : Red

Socket (Protected Lock Type)



7pos. shown as an example.

Unit : mm

| Part No. | HRS No. | No. of Pos. | A | B | Purchase Unit |
|--------------------|------------------|-------------|------|-------|----------------|
| DF62C-2S-2.2C(##) | CL0544-0565-4-## | 2 | 4.9 | 5.65 | 100pcs per bag |
| DF62C-3S-2.2C(##) | CL0544-0566-7-## | 3 | | | |
| DF62C-4S-2.2C(##) | CL0544-0567-0-## | 4 | | | |
| DF62C-5S-2.2C(##) | CL0544-0568-2-## | 5 | 7.1 | 7.65 | |
| DF62C-6S-2.2C(##) | CL0544-0569-5-## | 6 | | | |
| DF62C-7S-2.2C(##) | CL0544-0570-4-## | 7 | | | |
| DF62C-13S-2.2C(##) | CL0544-0571-7-## | 13 | 9.3 | 11.65 | |
| DF62C-24S-2.2C(##) | CL0544-0541-6-## | 24 | 12.3 | 13.65 | |

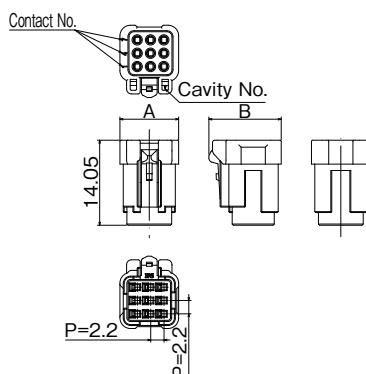
[Specification No.] -##,(##)

None : White

(11) : Black

(18) : Red

Socket (Waterproof Type)



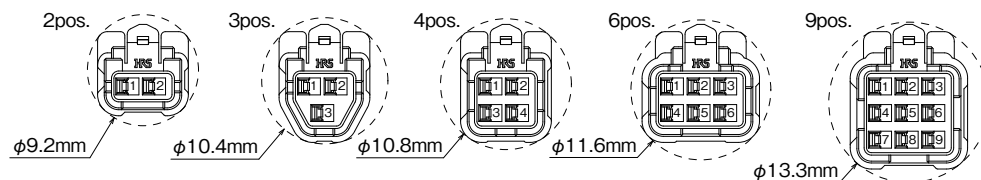
9pos. shown as an example.

Unit : mm

| Part No. | HRS No. | No. of Pos. | A | B | Purchase Unit |
|---------------|------------------|-------------|-----|-------|----------------|
| DF62W-2S-2.2C | CL0544-1002-7-00 | 2 | 7.5 | 7.55 | 100pcs per bag |
| DF62W-3S-2.2C | CL0544-1004-2-00 | 3 | | | |
| DF62W-4S-2.2C | CL0544-1006-8-00 | 4 | | | |
| DF62W-6S-2.2C | CL0544-1008-3-00 | 6 | 9.7 | 9.75 | |
| DF62W-9S-2.2C | CL0544-1010-5-00 | 9 | 9.7 | 11.95 | |

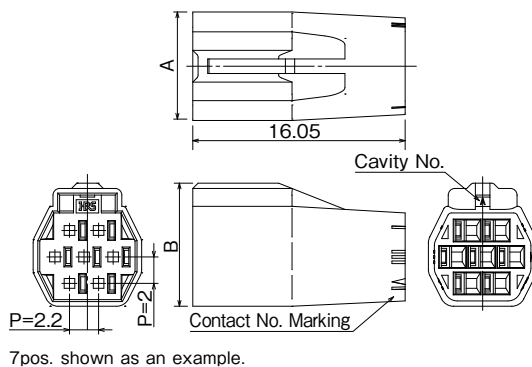
Note : The waterproof type and non-waterproof type are not intermateable.

Position Number Pin Configuration (Shown from the Mating Side)



Note : Applicable jacket outer diameter : φ 1.4 to 1.6mm

Plug (Standard Type)

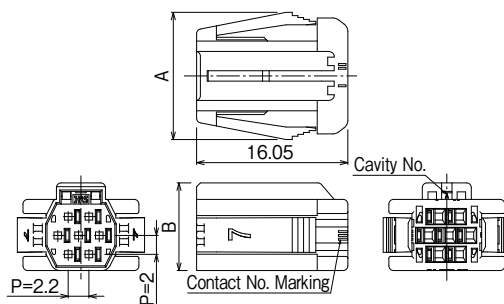


Unit : mm

| Part No. | HRS No. | No. of Pos. | A | B | Purchase Unit |
|---------------------|------------------|-------------|------|------|----------------|
| DF62B-2EP-2.2C(##) | CL0544-0558-9-## | 2 | 6.0 | 5.3 | 100pcs per bag |
| DF62B-3EP-2.2C(##) | CL0544-0559-1-## | 3 | | | |
| DF62B-4EP-2.2C(##) | CL0544-0560-0-## | 4 | | | |
| DF62B-5EP-2.2C(##) | CL0544-0561-3-## | 5 | 8.2 | 7.3 | |
| DF62B-6EP-2.2C(##) | CL0544-0562-6-## | 6 | | | |
| DF62B-7EP-2.2C(##) | CL0544-0563-9-## | 7 | | | |
| DF62B-13EP-2.2C(##) | CL0544-0564-1-## | 13 | 10.4 | 11.3 | |
| DF62B-24EP-2.2C(##) | CL0544-0540-3-## | 24 | 13.4 | 13.3 | |

[Specification No.] -##,(##)
 None : Black
 (10) : White
 (18) : Red

Plug (Panel Mount Type)



Unit : mm

| Part No. | HRS No. | No. of Pos. | A | B | Purchase Unit |
|---------------------|------------------|-------------|------|------|----------------|
| DF62P-2EP-2.2C(##) | CL0544-0543-1-## | 2 | 11.3 | 5.3 | 100pcs per bag |
| DF62P-3EP-2.2C(##) | CL0544-0544-4-## | 3 | | 7.3 | |
| DF62P-4EP-2.2C(##) | CL0544-0545-7-## | 4 | | | |
| DF62P-5EP-2.2C(##) | CL0544-0546-0-## | 5 | 13.5 | 9.3 | |
| DF62P-6EP-2.2C(##) | CL0544-0547-2-## | 6 | | | |
| DF62P-7EP-2.2C(##) | CL0544-0548-5-## | 7 | | | |
| DF62P-13EP-2.2C(##) | CL0544-0549-8-## | 13 | 15.7 | 11.3 | |
| DF62P-24EP-2.2C(##) | CL0544-0550-7-## | 24 | 18.7 | 13.3 | |

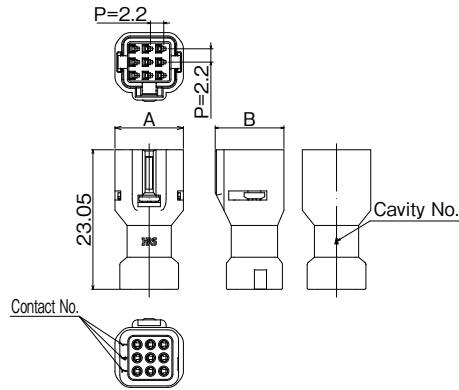
[Specification No.] -##,(##)

None : Black

(10) : White

(18) : Red

Plug (Waterproof Type)



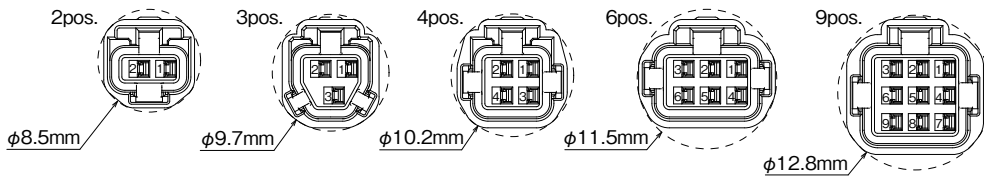
9pos. shown as an example.

Unit : mm

| Part No. | HRS No. | No. of Pos. | A | B | Purchase Unit |
|----------------|------------------|-------------|------|-------|----------------|
| DF62W-2EP-2.2C | CL0544-1003-0-00 | 2 | 7.5 | 6.7 | 100pcs per bag |
| DF62W-3EP-2.2C | CL0544-1005-5-00 | 3 | 8.0 | 9.15 | |
| DF62W-4EP-2.2C | CL0544-1007-0-00 | 4 | 9.1 | | |
| DF62W-6EP-2.2C | CL0544-1009-6-00 | 6 | 11.3 | 11.35 | |
| DF62W-9EP-2.2C | CL0544-1011-8-00 | 9 | | | |

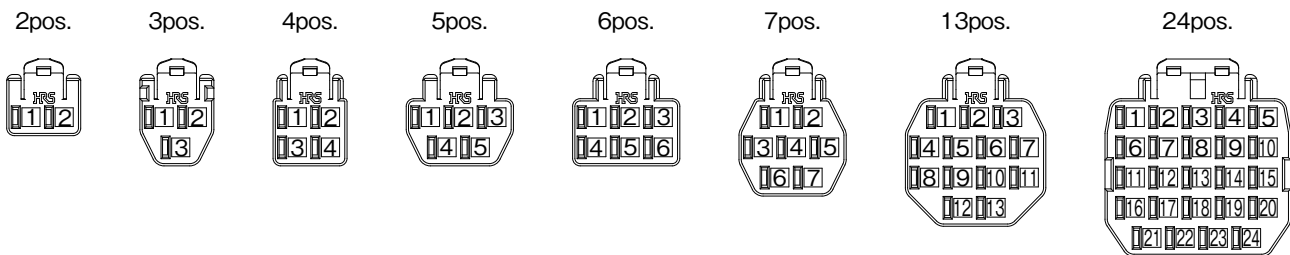
Note : The waterproof type and non-waterproof type are not intermateable.

Position Number Pin Configuration (Shown from the Mating Side)

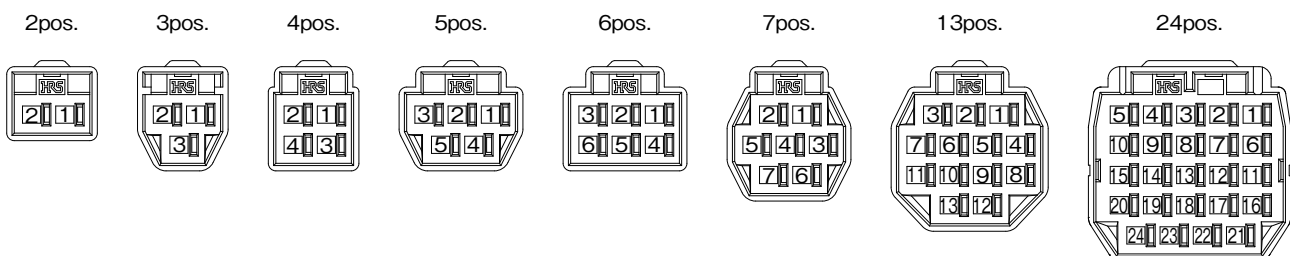


Note : Applicable jacket outer diameter : φ 1.4 to 1.6mm

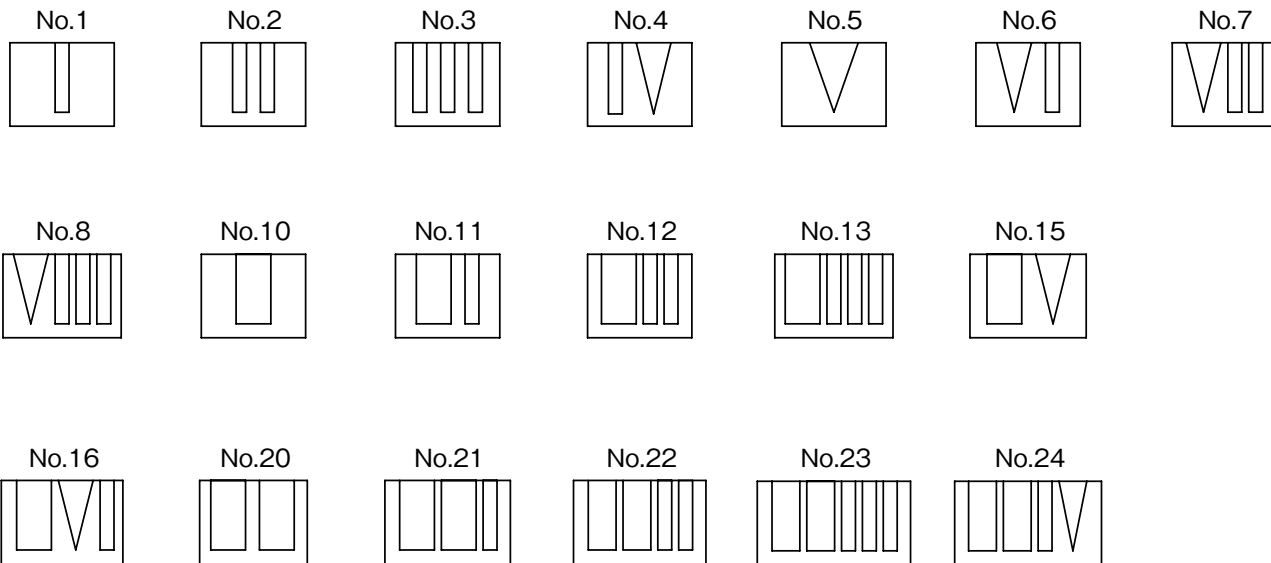
Socket Position Number Pin Configuration (Shown from the Mating Side)



Plug Position Number Pin Configuration (Shown from the Mating Side)

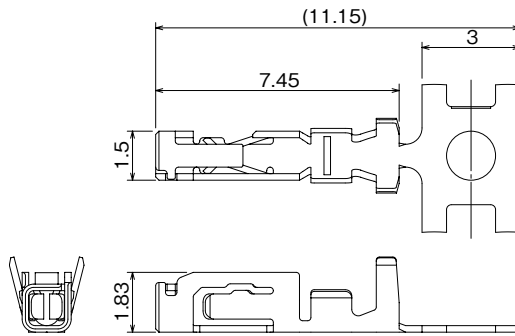


■ Position No. Diagram



May.1.2022 Copyright 2022 HIROSE ELECTRIC CO., LTD. All Rights Reserved.

Socket Crimping Contact



● Reel Contact, Applicable Tool : Applicator

| Part No. | HRS No. | Finish | Applicable Wire (Tin Plated Annealed Copper) (Note 1) | | | | | Purchase Unit |
|-------------------------------|--------------------------------------|---------------------------|---|----------------|------------------------------------|--|----------------------|-----------------------|
| | | | UL | AWG | Stranded Wire Structure | Calculated Cross-section | Jacket Diameter | |
| DF62-22SCF DF62-22SCFA | CL0544-0520-6-00 CL0544-0506-5-00 | Tin Plated Gold Plated | 1061 | 22 | 17/0.16mm | 0.342mm ² | φ 1.2 to φ 1.45mm | 15,000pcs per reel |
| DF62-2428SCF DF62-2428SCFA | CL0544-0521-9-00 CL0544-0500-9-00 | Tin Plated Gold Plated | 1007 | 24 26 28 | 11/0.16mm 7/0.16mm 7/0.127mm | 0.221mm ² 0.141mm ² 0.089mm ² | φ 0.9 to φ 1.45mm | |
| DF62-30SCF DF62-30SCFA | CL0544-0522-1-00 CL0544-0508-0-00 | Tin Plated Gold Plated | 1007 | 30 | 7/0.1mm | 0.055mm ² | φ 0.75 to φ 1.2mm | |

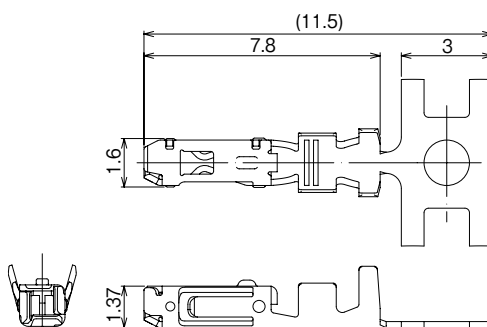
Note 1 : When using cables not specified by Hirose, please contact a Hirose sales representative.

● Loose Piece, Applicable Tool : Hand Crimping Tool

| Part No. | HRS No. | Finish | Applicable Wire (Tin Plated Annealed Copper) (Note 2) | | | | | Purchase Unit |
|-----------------------------|--------------------------------------|---------------------------|---|----------------|------------------------------------|--|----------------------------------|-------------------|
| | | | UL | AWG | Stranded Wire Structure | Calculated Cross-section | Jacket Diameter | |
| DF62-22SC DF62-22SCA | CL0544-0572-0-00 CL0544-0526-2-00 | Tin Plated Gold Plated | 1061 | 22 | 17/0.16mm | 0.342mm ² | φ 1.26mm | 100pcs per bag |
| DF62-2428SC DF62-2428SCA | CL0544-0573-2-00 CL0544-0527-5-00 | Tin Plated Gold Plated | 1007 | 24 26 28 | 11/0.16mm 7/0.16mm 7/0.127mm | 0.221mm ² 0.141mm ² 0.089mm ² | φ 1.42mm φ 1.28mm φ 1.18mm | |
| DF62-30SC DF62-30SCA | CL0544-0574-5-00 CL0544-0528-8-00 | Tin Plated Gold Plated | 1007 | 30 | 7/0.1mm | 0.055mm ² | φ 0.82mm | |

Note 2 : The applicable cables include only those listed above.

Socket Crimp Contact (For Waterproof Version)



● Reel Contact, Applicable Tool : Applicator

| Part No. | HRS No. | Finish | Applicable Wire (Tin Plated Annealed Copper) (Note 1) | | | | | Purchase Unit |
|---------------------------------|--------------------------------------|---------------------------|---|----------|-------------------------|--|---------------------|-----------------------|
| | | | UL | AWG | Stranded Wire Structure | Calculated Cross-section | Jacket Diameter | |
| DF62W-2022SCF DF62W-2022SCFA | CL0544-1015-9-00 CL0544-1027-0-00 | Tin Plated Gold Plated | 3443 | 20 | 7/0.32mm | 0.563mm ² | φ 1.4 to φ 1.6mm | 15,000pcs per reel |
| | | | 1007 | 22 | 17/0.16mm | 0.342mm ² | | |
| DF62W-2226SCF DF62W-2226SCFA | CL0544-1000-1-00 CL0544-1025-0-00 | Tin Plated Gold Plated | 1007 | 22 24 | 17/0.16mm 11/0.16mm | 0.342mm ² 0.221mm ² | | |
| | | | 1430 | 24 26 | 11/0.16mm 7/0.16mm | 0.221mm ² 0.141mm ² | | |

Note 1 : When using cables not specified by Hirose, please contact a Hirose sales representative.

Note 2 : There are cases in which use of a flexible wire (thin, stranded conductor or soft jacket material) may make insertion to socket difficult. Please contact a Hirose representative for more information.

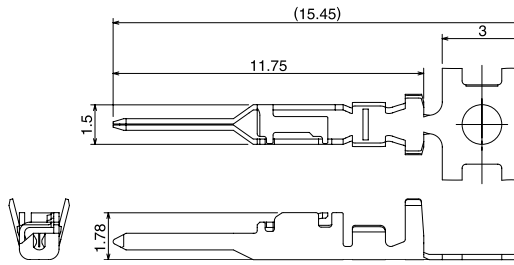
Note 3 : The waterproof type and non-waterproof type are a not intermateable.

● Loose Piece, Applicable Tool : Hand Crimping Tool

| Part No. | HRS No. | Finish | Applicable Wire (Tin Plated Annealed Copper) (Note 4) | | | | | Purchase Unit |
|-------------------------------|--------------------------------------|---------------------------|---|----------|-------------------------|--|----------------------|-------------------|
| | | | UL | AWG | Stranded Wire Structure | Calculated Cross-section | Jacket Diameter | |
| DF62W-2022SC DF62W-2022SCA | CL0544-1017-4-00 CL0544-1045-0-00 | Tin Plated Gold Plated | 3443 | 20 | 7/0.32mm | 0.563mm ² | φ 1.53mm | 100pcs per bag |
| | | | 1007 | 22 | 17/0.16mm | 0.342mm ² | φ 1.58mm | |
| DF62W-2226SC DF62W-2226SCA | CL0544-1012-0-00 CL0544-1044-0-00 | Tin Plated Gold Plated | 1007 | 22 24 | 17/0.16mm 11/0.16mm | 0.342mm ² 0.221mm ² | φ 1.58mm φ 1.42mm | |
| | | | 1430 | 26 | 7/0.16mm | 0.141mm ² | φ 1.48mm | |

Note 4 : The applicable cables include only those listed above.

Plug Crimping Contact



● Reel Contact, Applicable Tool : Applicator

| Part No. | HRS No. | Finish | Applicable Wire (Tin Plated Annealed Copper) (Note 1) | | | | | Purchase Unit |
|-----------------------------------|--------------------------------------|---------------------------|---|----------------|------------------------------------|--|----------------------|-----------------------|
| | | | UL | AWG | Stranded Wire Structure | Calculated Cross-section | Jacket Diameter | |
| DF62-EP22PCF DF62-EP22PCFA | CL0544-0523-4-00 CL0544-0507-8-00 | Tin Plated Gold Plated | 1061 | 22 | 17/0.16mm | 0.342mm ² | φ 1.2 to φ 1.45mm | 15,000pcs per reel |
| DF62-EP2428PCF DF62-EP2428PCFA | CL0544-0524-7-00 CL0544-0501-1-00 | Tin Plated Gold Plated | 1007 | 24 26 28 | 11/0.16mm 7/0.16mm 7/0.127mm | 0.221mm ² 0.141mm ² 0.089mm ² | φ 0.9 to φ 1.45mm | |
| DF62-EP30PCF DF62-EP30PCFA | CL0544-0525-0-00 CL0544-0509-3-00 | Tin Plated Gold Plated | 1007 | 30 | 7/0.1mm | 0.055mm ² | φ 0.75 to φ 1.2mm | |

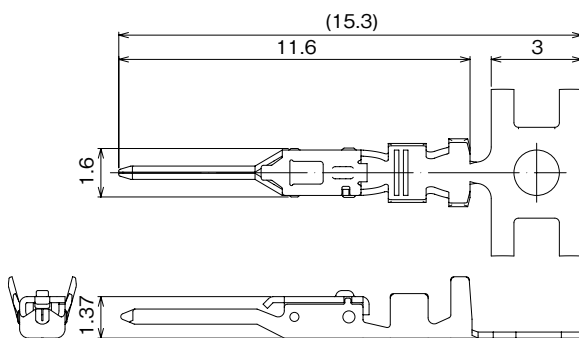
Note 1 : When using cables not specified by Hirose, please contact a Hirose sales representative.

● Loose Piece, Applicable Tool : Hand Crimping Tool

| Part No. | HRS No. | Finish | Applicable Wire (Tin Plated Annealed Copper) (Note 2) | | | | | Purchase Unit |
|---------------------------------|--------------------------------------|---------------------------|---|----------------|------------------------------------|--|----------------------------------|-------------------|
| | | | UL | AWG | Stranded Wire Structure | Calculated Cross-section | Jacket Diameter | |
| DF62-EP22PC DF62-EP22PCA | CL0544-0575-8-00 CL0544-0529-0-00 | Tin Plated Gold Plated | 1061 | 22 | 17/0.16mm | 0.342mm ² | φ 1.26mm | 100pcs per bag |
| DF62-EP2428PC DF62-EP2428PCA | CL0544-0576-0-00 CL0544-0530-0-00 | Tin Plated Gold Plated | 1007 | 24 26 28 | 11/0.16mm 7/0.16mm 7/0.127mm | 0.221mm ² 0.141mm ² 0.089mm ² | φ 1.42mm φ 1.28mm φ 1.18mm | |
| DF62-EP30PC DF62-EP30PCA | CL0544-0577-3-00 CL0544-0529-0-00 | Tin Plated Gold Plated | 1007 | 30 | 7/0.1mm | 0.055mm ² | φ 0.82mm | |

Note 2 : The applicable cables include only those listed above.

Plug Crimping Contact (For Waterproof Version)



● Reel Contact, Applicable Tool : Applicator

| Part No. | HRS No. | Finish | Applicable Wire (Tin Plated Annealed Copper) (Note 1) | | | | | Purchase Unit |
|-------------------------------------|--------------------------------------|---------------------------|---|----------|-------------------------|--|---------------------|-----------------------|
| | | | UL | AWG | Stranded Wire Structure | Calculated Cross-section | Jacket Diameter | |
| DF62W-EP2022PCF DF62W-EP2022PCFA | CL0544-1016-1-00 CL0544-1028-0-00 | Tin Plated Gold Plated | 3443 | 20 | 7/0.32mm | 0.563mm ² | φ 1.4 to φ 1.6mm | 15,000pcs per reel |
| | | | 1007 | 22 | 17/0.16mm | 0.342mm ² | | |
| DF62W-EP2226PCF DF62W-EP2226PCFA | CL0544-1001-4-00 CL0544-1026-0-00 | Tin Plated Gold Plated | 1007 | 22 24 | 17/0.16mm 11/0.16mm | 0.342mm ² 0.221mm ² | | |
| | | | 1430 | 24 26 | 11/0.16mm 7/0.16mm | 0.221mm ² 0.141mm ² | | |

Note 1 : When using cables not specified by Hirose, please contact a Hirose sales representative.

Note 2 : There are cases in which use of a flexible wire (thin, stranded conductor or soft jacket material) may make insertion to socket difficult. Please contact a Hirose representative for more information.

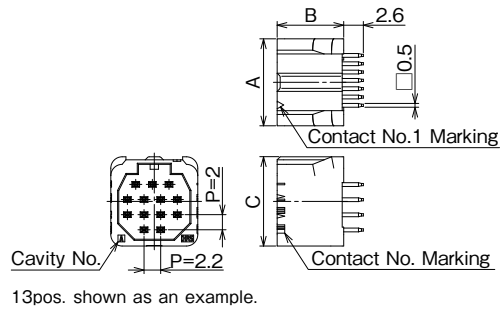
Note 3 : The waterproof type and non-waterproof type are not intermateable.

● Loose Piece, Applicable Tool : Hand Crimping Tool

| Part No. | HRS No. | Finish | Applicable Wire (Tin Plated Annealed Copper) (Note 4) | | | | | Purchase Unit |
|-----------------------------------|--------------------------------------|---------------------------|---|----------|-------------------------|--|----------------------|-------------------|
| | | | UL | AWG | Stranded Wire Structure | Calculated Cross-section | Jacket Diameter | |
| DF62W-EP2022PC DF62W-EP2022PCA | CL0544-1018-7-00 CL0544-1043-0-00 | Tin Plated Gold Plated | 3443 | 20 | 7/0.32mm | 0.563mm ² | φ 1.53mm | 100pcs per bag |
| | | | 1007 | 22 | 17/0.16mm | 0.342mm ² | φ 1.58mm | |
| DF62W-EP2226PC DF62W-EP2226PCA | CL0544-1013-3-00 CL0544-1042-0-00 | Tin Plated Gold Plated | 1007 | 22 24 | 17/0.16mm 11/0.16mm | 0.342mm ² 0.221mm ² | φ 1.58mm φ 1.42mm | |
| | | | 1430 | 26 | 7/0.16mm | 0.141mm ² | φ 1.48mm | |

Note 4 : The applicable cables include only those listed above.

Straight Pin Header



Unit : mm

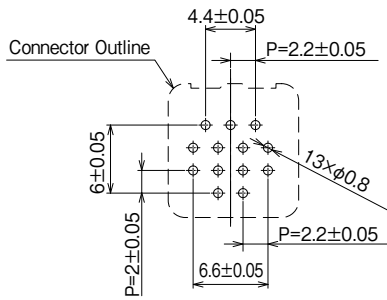
| Part No. | HRS No. | No. of Pos. | A | B | C | Tin Plating | Gold Plating | Purchase Unit |
|---------------------|------------------|-------------|------|------|------|-------------|--------------|-----------------|
| DF62-13P-2.2DSA(##) | CL0544-0582-0-## | 13 | 11.5 | 8.8 | 11.8 | ○ | — | 100pcs per tray |
| DF62-24P-2.2DSA(##) | CL0544-0584-0-## | 24 | 14.5 | 10.8 | 13.8 | ○ | — | 80pcs per tray |

[Specification No.] -##,(##)
 None : Tin Plating
 (01) : Gold Plating

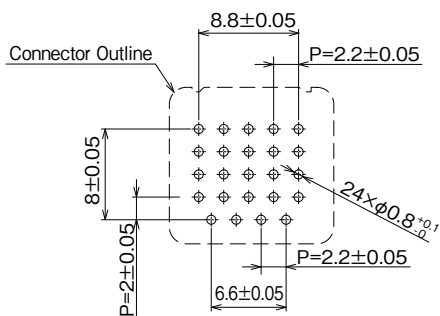
Note : Please contact a Hirose representative for requests on gold plating pin count variations that have not been released.

■ Recommended PCB Layout (Recommended Thickness $t=1.6\text{mm}$)

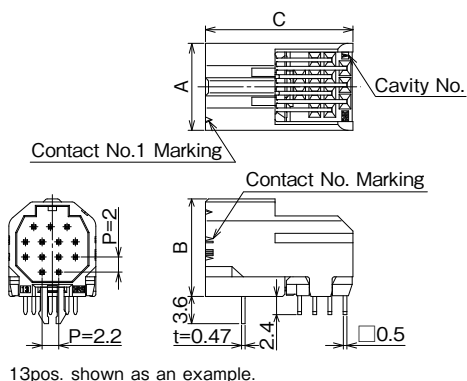
[13pos.]



[24pos.]



Right Angle Pin Header



Unit : mm

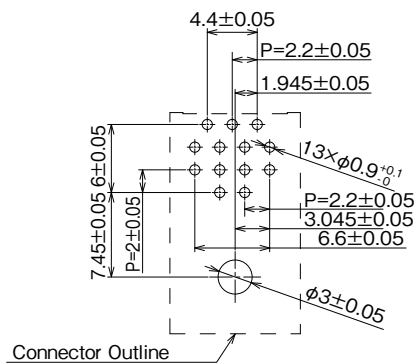
| Part No. | HRS No. | No. of Pos. | A | B | C | Tin Plating | Gold Plating | Purchase Unit |
|--------------------|------------------|-------------|------|------|------|-------------|--------------|---------------|
| DF62-13P-2.2DS(##) | CL0544-0581-0-## | 13 | 11.5 | 12.9 | 19.5 | ○ | — | 100pcs |
| DF62-24P-2.2DS(##) | CL0544-0583-0-## | 24 | 15.4 | 14.9 | 23.5 | ○ | ○ | per tray |

[Specification No.] -##,(##)
 None : Tin Plating
 (01) : Gold Plating

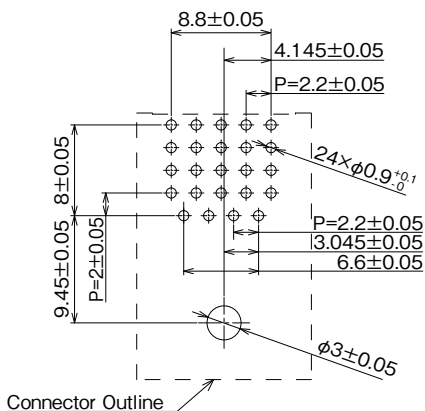
Note : Please contact a Hirose representative for requests on gold plating pin count variations that have not been released.

Recommended PCB Layout (Recommended Thickness t=1.6mm)

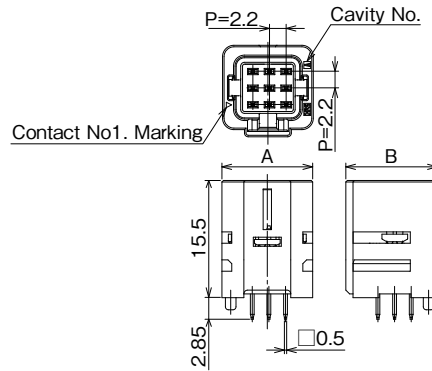
[13pos.]



[24pos.]



Straight Pin Header (Waterproof Type)



9pos. shown as an example.

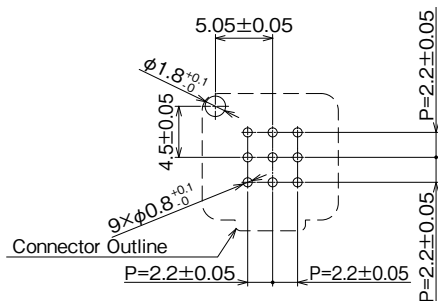
Unit : mm

| Part No. | HRS No. | No. of Pos. | A | B | Tin Plating | Gold Plating | Purchase Unit |
|----------------------|------------------|-------------|----|------|-------------|--------------|-----------------|
| DF62WZ-9P-2.2DSA(##) | CL0544-1050-0-## | 9 | 12 | 12.1 | ○ | ○ | 200pcs per tray |

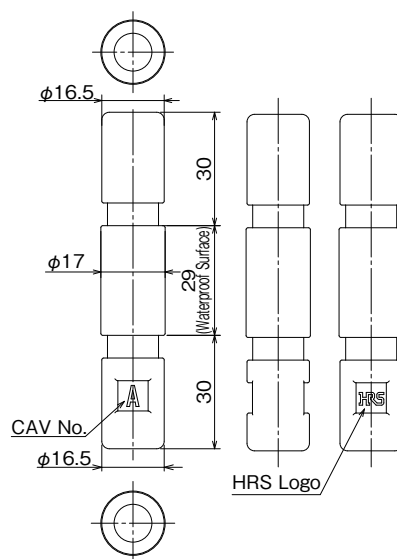
[Specification No.] -##,(##)
 (20) : Tin Plating
 (50) : Gold Plating

■ Recommended PCB Layout (Recommended Thickness $t=1.6\text{mm}$)

[9pos.]



Waterproof Pin



| Part No. | HRS No. | Purchase Unit |
|----------|------------------|----------------|
| DF62W-WP | CL0544-1014-6-00 | 100pcs per bag |

Note : When using without the crimp contact inserted, fill the contact hole of socket and plug with a waterproof pin.

Applicable Crimping Tool

● DF62

| Type | Part No. | HRS No. | Applicable Contact |
|-----------------|------------------------------|------------------|--|
| Applicator | AP105-DF62-22 | CL0901-4626-3-00 | DF62-22SCFA/SCF DF62-EP22PCFA/PCF |
| | AP105-DF62-2428 | CL0901-4625-0-00 | DF62-2428SCFA/SCF DF62-EP2428PCFA/PCF |
| | AP105-DF62-30 | CL0901-4627-6-00 | DF62-30SCFA/SCF DF62-EP30PCFA/PCF |
| Press Body | CM-105C | CL0901-0001-0-00 | - |
| Hand Tool | HT801/DF62-22(10) (Note 3) | CL0550-0401-9-10 | DF62-22SCA/SC DF62-EP22PCA/PC |
| | HT801/DF62-2428(10) (Note 4) | CL0550-0400-6-10 | DF62-2428SCA/SC DF62-EP2428PCA/PC |
| | HT801/DF62-30(10) (Note 5) | CL0550-0402-1-10 | DF62-30SCA/SC DF62-EP30PCA/PC |
| Extraction Tool | DF62/RE-MD | CL0902-4645-4-00 | DF62-##SCFA/SCF/SCA/SC DF62-EP##PCFA/PCF/PCA/PC |

Note 1 : Issues with non-Hirose specified tools are outside the scope of warranty.

Note 2 : Please conduct crimping work according to the "Crimping Quality Standard" (ETAD-H0642,ETAD-H0643)" and "Crimping Condition Table".

Note 3 : The compatible wire is limited to UL1061 (22 AWG).

Note 4 : The compatible wire is limited to UL1007 (24 to 28 AWG).

Note 5 : The compatible wire is limited to UL1061 (30 AWG).

● DF62W

| Type | Part No. | HRS No. | Applicable Contact |
|-----------------|---------------------------|------------------|--|
| Applicator | AP105-DF62W-2022 | CL0901-4500-0-00 | DF62W-2022SCF(A) DF62W-EP2022PCF(A) |
| | EHS899800H-UP (Note 2) | - | |
| | AP105-DF62W-2226 | CL0901-4637-0-00 | DF62W-2226SCF(A) DF62W-EP2226PCF(A) |
| | EHS888400H-UP (Note 2) | - | |
| Press Body | CM-105C | CL0901-0001-0-00 | - |
| Hand Tool | HT802/DF62W-2022 (Note 4) | CL0550-0431-0-00 | DF62W-2022SC(A) DF62W-EP2022PC(A) |
| | HT802/DF62W-2226 (Note 5) | CL0550-0416-6-00 | DF62W-2226SC(A) DF62W-EP2226PC(A) |
| Extraction Tool | DF62W/RE-MD | CL0902-4666-4-00 | DF62W-2022SC(F)(A) DF62W-EP2022PC(F)(A) DF62W-2226SC(F)(A) DF62W-EP2226PC(F)(A) |

Note 1 : Issues with non-Hirose specified tools are outside the scope of warranty.

Note 2 : Applicator manufactured by JAPAN AUTOMATIC MACHINE(J.A.M.).

Please contact J.A.M. via the URL below regarding inquiries on the applicator or crimp defects.
(URL : <http://www.jam-net.co.jp>)

Note 3 : Please conduct crimping work according to the "Crimping Quality Standard" (ETAD-H0762-00, ETAD-H0763-00)" and "Crimping Condition Table".

Note 4 : The compatible wire is limited to UL3443 (20 AWG) or UL1007 (22 AWG).

Note 5 : The compatible wire is limited to UL1007 (22 to 24 AWG) or UL1430 (24 to 26 AWG).

Crimping

■ Items Required Prior to Starting

The work-related documents listed below are required before starting harness assembly.

(The ● mark indicates a required document.)

When the documents shown below are not available, ask a Hirose sales personnel to provide them.

| Document Title | Description | Automatic Crimping Machine | Hand Crimping Tool | Remarks |
|---|---|----------------------------|--------------------|---|
| (1) Main unit of crimping machine instruction manual | Explanation of main press machine unit | ● | — | Bundled with the purchase of the main press machine unit. |
| (2) Applicator Spare Parts Identification | Explanation for Applicator installation | ● | — | Bundled with the purchase of applicator. |
| (3) Crimp Conditions | Standard values of : Crimp height Tensile strength | ● | — | |
| (4) Crimp Quality Standards | Various standards for crimping conditions | ● | — | |
| (5) Operating Instructions for Hand Tool | Inspection items of : Crimp height Tensile strength and others | — | ● | Bundled with the purchase of hand tool. |
| (6) Harness Procedure Manual DF62 Series : ETAD-H0593 DF62W Series : ETAD-H0760 | Harness procedure | ● | ● | Ask a HRS sales representative. |

■ Tools

The tools specified by Hirose should be used for crimping work.

Crimping work by tools other than those specified must not be done because it may result in contact failure, disconnection of cable, etc.

The operating instructions manual is available for the crimping machine and the applicator. Be sure to carefully read the operating instructions manual before implementing the work.

■ Applicable Electric Wires

Check that the electric wire to be used is within the applicable range.

If you intend to use an electric wire other than those recommended, ask a HRS sales personnel.

[Precautions]

- Electric wires that are suitable for crimping connectors are tin-plated stranded softcopper wire.
- Avoid crimping solid wires, wires with polyester threads or tin-coated wires.
- Avoid crimping two electric wires together.
- The crimp height setting value (Note) may vary between tin-plated and gold-plated contacts even if the same electric wires are used.
- The crimp height setting value (Note) may vary depending on the difference in the core wire configuration even if the computed cross-sectional area is the same.

Note : The crimp height is an important item that determines crimping quality. We execute crimping tests for each electric wire to ensure the optimal value for the crimp height with high precision, thereby ensuring optimal setup values.

Precautions

| | |
|-------------------------------------|---|
| 1. Recommended Soldering Conditions | <ul style="list-style-type: none"> ■ Soldering profile when using an automatic soldering device Soldering temperature : 260°C ; Soldering time: no more than 10 seconds ■ Hand soldering conditions Temperature of soldering iron : 300°C , soldering time : no more than 3 seconds |
| 2. Cleaning Conditions | Please refer to the "Wire-to-Board Connector Guide". Cleaning with IPA is allowed. (Other cleaning agents are not recommended due to the fact that it may change the push/pull feeling. Please contact us when you use other cleaning agents.) |
| 3. Important Notes | <ol style="list-style-type: none"> 1. Caution is required for mating and un-mating the connector without it being mounting on a PCB. Doing so can damage or deform the contacts. 2. During hand soldering, do not apply excess amounts of flux which can migrate onto the connector. 3. This product may have a slight differences in color depending on the production lot. This difference does not have any influence on the performance. 4. Please refer to "DF62 Series Mating and Unmating Procedure Document" (ETAD-H0599) and "DF62W Series Mating / Unmating Operation Instruction Manual" (ETAD-H0761) for points on handling during mating operations. |
| 4. Handling Instructions | Please refer to the "Wire-to-Board Connector Guide". |

While taking in consideration

Specifications mentioned in this catalog are reference values.

When considering to order or use this product, please confirm the "Drawing" and "Product Specifications" sheets.

Use an appropriate cable when using the connector in combination with cables.

If considering usage of a non-specified cable, please contact your sales representative.

If assembly process is done by jigs & tools which are not identified by Hirose assurance will not be given.

Please consult with your Hirose sales representative if you are planning to use the product for any of the following applications. (Automotive, medical, public infrastructure, aerospace/defense, etc.)

Hirose will consider the validity of the warranty depending on the conditions.

[JAPAN]

Headquarters

HIROSE ELECTRIC CO., LTD

Phone : +81-3-3491-7675
<http://www.hirose.com>

YOKOHAMA Center

HIROSE ELECTRIC CO., LTD

Phone : +81-45-620-3491
<http://www.hirose.com>

[USA]

U.S Headquarters / CHICAGO Office

HIROSE ELECTRIC (U.S.A.), INC.

Phone : +1-630-282-6700
<http://www.hirose.com/us/>

SAN JOSE Office

HIROSE ELECTRIC (U.S.A.), INC.

Phone : +1-408-253-9640
<http://www.hirose.com/us/>

DETROIT Office (AUTOMOTIVE)

HIROSE ELECTRIC (U.S.A.), INC.

Phone : +1-734-542-9963
<http://www.hirose.com/us/>

BOSTON Office

HIROSE ELECTRIC (U.S.A.), INC.

Phone : +1-978-655-9850
<http://www.hirose.com/us/>

DALLAS Office

HIROSE ELECTRIC (U.S.A.), INC.

Phone : +1-972-324-3370
<http://www.hirose.com/us/>

IRVINE Office

HIROSE ELECTRIC (U.S.A.), INC.

Phone : +1-949-930-3750
<http://www.hirose.com/us/>

[THE NETHERLANDS]

EU Headquarters / AMSTERDAM OFFICE

HIROSE ELECTRIC EUROPE B.V.

Phone : +31-20-6557460
<http://www.hirose.com/eu/>

[UNITED KINGDOM]

UK Branch

HIROSE ELECTRIC EUROPE B.V.

Phone : +44-1908-202050
<http://www.hirose.com/eu/>

[GERMANY]

GERMAN Branch / STUTTGART Office

HIROSE ELECTRIC EUROPE B.V.

Phone : +49-711-456002-1
<http://www.hirose.com/eu/>

NUREMBERG Office

HIROSE ELECTRIC EUROPE B.V.

Phone : +49-911-326889-63
<http://www.hirose.com/eu/>

HANOVER Office

HIROSE ELECTRIC EUROPE B.V.

Phone : +49-511-978261-30
<http://www.hirose.com/eu/>

[FRANCE]

PARIS Office

HIROSE ELECTRIC EUROPE B.V.

Phone : +33-1-85764886
<http://www.hirose.com/eu/>

[ITALY]

MILAN Office

HIROSE ELECTRIC EUROPE B.V.

Phone : +39-02-36636350
<http://www.hirose.com/eu/>

[CHINA]

CHINA Headquarters / SHANGHAI Branch

HIROSE ELECTRIC (CHINA) CO., LTD.

Phone : +86-21-6391-3355
<http://www.hirose.com/cn/>

SHENZHEN Branch

HIROSE ELECTRIC (CHINA) CO., LTD.

Phone : +86-755-8207-0851
<http://www.hirose.com/cn/>

BEIJING Branch

HIROSE ELECTRIC (CHINA) CO., LTD.

Phone : +86-10-5165-9332
<http://www.hirose.com/cn/>

[HONG KONG]

HONG KONG Office

HIROSE ELECTRIC HONGKONG TRADING CO., LTD.

Phone : +852-2803-5338
<http://www.hirose.com/hk/>

[TAIWAN]

TAIWAN Office

HIROSE ELECTRIC (TAIWAN) CO., LTD.

Phone : +886-2-2555-7377
<http://www.hirose.com/tw/>

[KOREA]

KOREA Office

HIROSE KOREA CO., LTD.

Phone : +82-31-496-7000
<http://www.hirose.co.kr/>

[SINGAPORE]

SINGAPORE Office

HIROSE ELECTRIC SINGAPORE PTE. LTD.

Phone : +65-6324-6113
<http://www.hirose.com/sg/>

[THAILAND]

BANGKOK Liaison Office

HIROSE ELECTRIC SINGAPORE PTE. LTD.

Phone : +66-2-686-1255
<http://www.hirose.com/sg/>

[MALAYSIA]

PENANG Representative Office

HIROSE ELECTRIC SINGAPORE PTE. LTD.

Phone : +60-4-648-5536
<http://www.hirose.com/sg/>

[INDIA]

BANGALORE Office

HIROSE ELECTRIC INDIA PVT. LTD.

Phone : +91-80-4120-1907
<http://www.hirose.com/sg/>

DELHI Office

HIROSE ELECTRIC INDIA PVT. LTD.

Phone : +91-120-660-8018
<http://www.hirose.com/sg/>

M E M O

A large rectangular area filled with a grid of dashed lines, intended for writing the content of the memo.