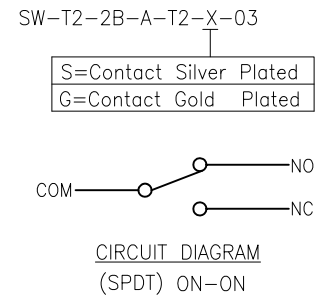
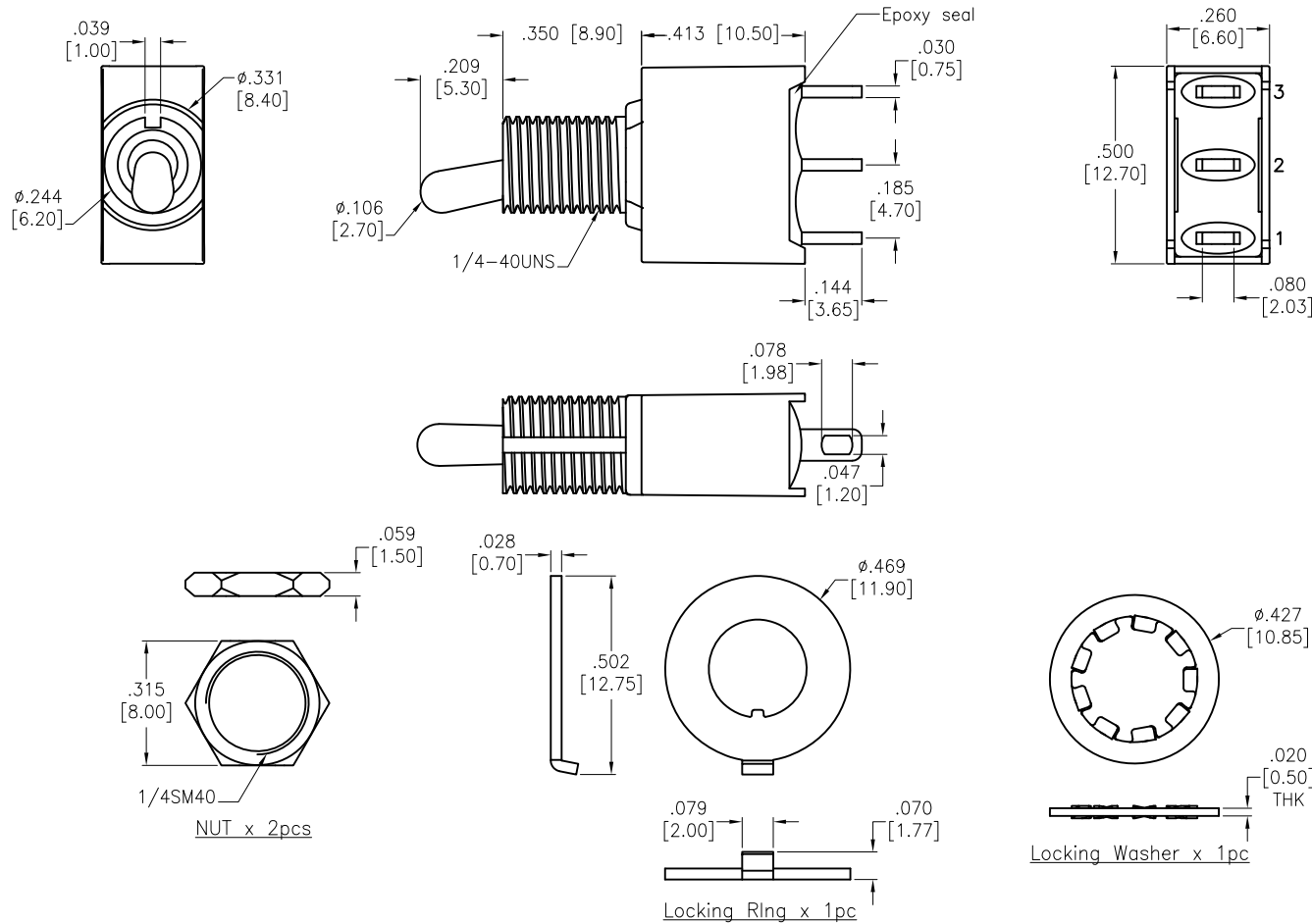


Rev	AWO #	Description	Date	Appr
-		RELEASED	9/27/21	

APPROVED: \_\_\_\_\_

DATE: \_\_\_\_\_ TITLE: \_\_\_\_\_



**SPECIFICATIONS:**

Material:  
 Movable contact: Copper Alloy, Silver plated  
 Terminals: Silver plated with outer layer in Gold plating  
 Electrical:  
 Rating: 5 Amps with resistive load @ 125VAC or 28VDC  
 2 Amps with resistive load @ 250VAC  
 Contact resistance: 10 mohms max initial  
 Insulation resistance: 1000 Mohms min  
 Dielectric withstanding voltage: 1500V RMS @ sea level  
 Electrical life: 50,000 make and break cycles at full load  
 Temperature Rating:  
 Operating temperature: -30°C to +85°C  
 Environmental:  
 IP Class: IP67  
 Lead free, RoHS compliant



UNLESS OTHERWISE SPECIFIED ALL DIMENSIONS ARE INCHES [MM]. TOLERANCES: EXCEPT AS NOTED		
INCHES		HOLES
.X ± .10	ØX ± .10	
.XX ± .020	ØXX ± .015	
.XXX ± .015	ØXXX ± .010	
DRAWN	OW	9/27/21
CHECKED	AC	9/27/21
APPROVED		
THIS DRAWING CONTAINS INFORMATION THAT IS PROPRIETARY AND SHOULD NOT BE USED WITHOUT PRIOR WRITTEN PERMISSION FROM ADAM TECH		

**ADAM TECH**

909 Rahway Avenue,  
 Union, NJ 07083  
 Phone: 908-687-5000  
 Fax: 908-687-5710

TITLE MINIATURE TOGGLE SWITCH, SPDT, ON-ON, SOLDER TYPE		REV. -
SIZE X	PART NO. SW-T2-2B-A-T2-X-03	
REF: S00198T	SCALE: NTS	SHEET 1 OF 1

6 5 4 3 2 1

D  
C  
B  
A

D  
C  
B  
A

6 5 4 3 2 1