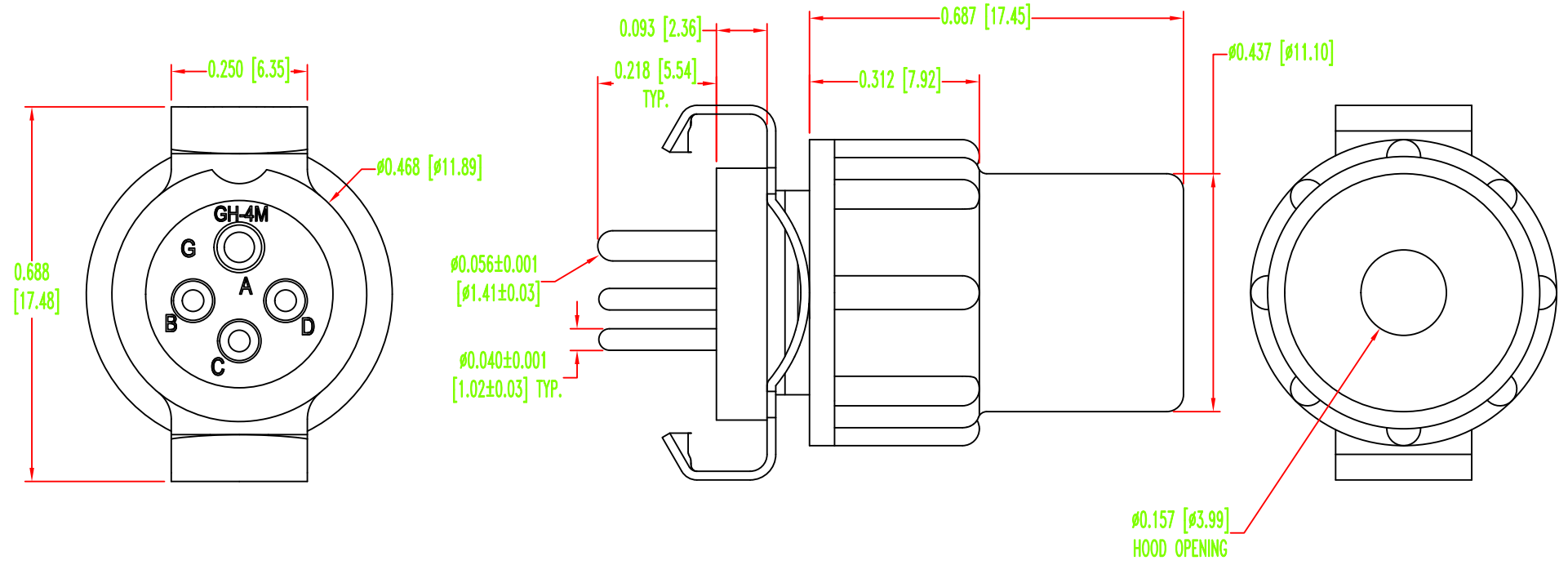


THIS DRAWING CONTAINS INFORMATION PROPRIETARY TO POSITRONIC AND ITS SUBSIDIARIES. POSITRONIC BELIEVES THE DATA ON THIS DRAWING TO BE RELIABLE. SINCE THE TECHNICAL INFORMATION IS GIVEN FREE OF CHARGE, THE USER EMPLOYS SUCH INFORMATION AT HIS OWN DISCRETION AND RISK. POSITRONIC ASSUMES NO RESPONSIBILITY FOR RESULTS OBTAINED OR DAMAGES INCURRED FROM USE OF SUCH INFORMATION IN WHOLE OR IN PART.

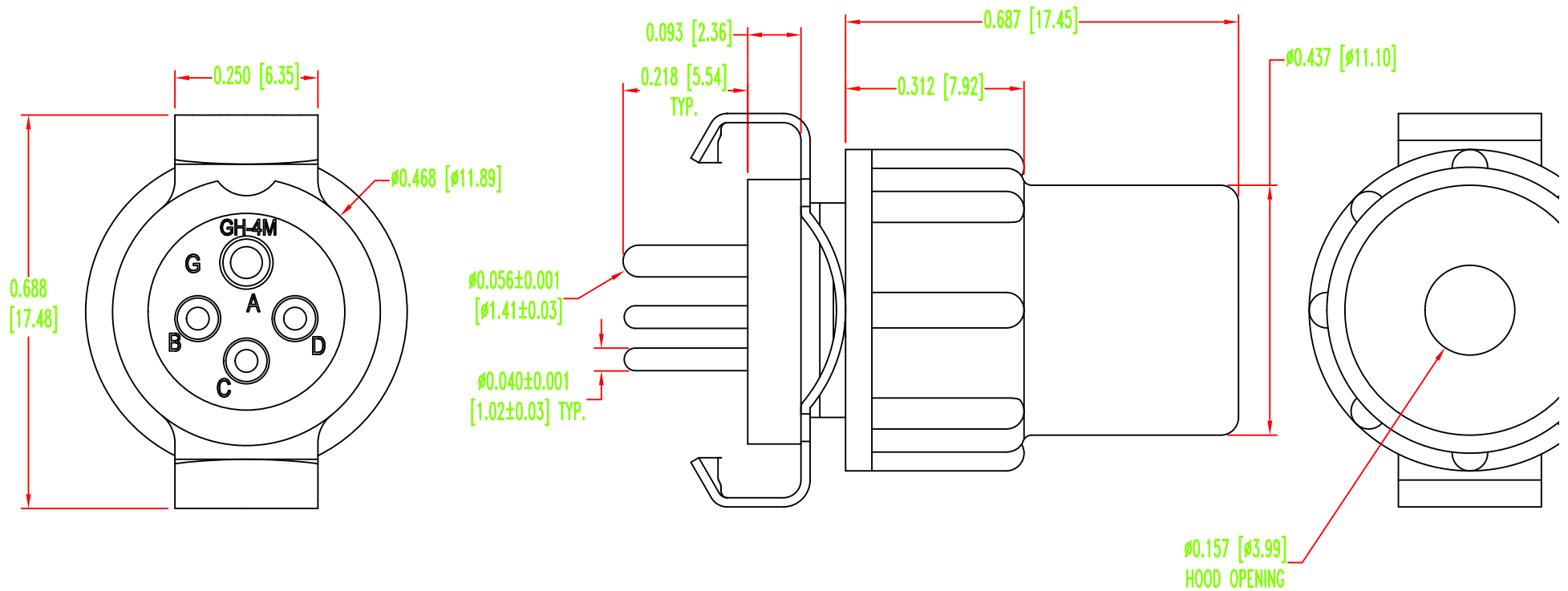
DATE	REV	REVISION RECORD	APP	DR	CK
11-02-18	A	ECO 63046	RK	KV	ND



NOTES:


- MATERIAL AND FINISHES:
 INSULATOR AND HOOD: GLASS FILLED DAP PER ASTM-D-5948, TYPE SDG-F, GREY COLOR.
 CONTACTS: PRECISION MACHINED COPPER ALLOY, GOLD FLASH OVER NICKEL.
 LOCKSPRING: PHOSPHOR BRONZE, ZINC PLATE WITH CHROMATE SEAL.
- DETAILED PRODUCT, MECHANICAL AND ELECTRICAL INFORMATION IS AVAILABLE IN THE LATEST CIRCLE HEX PRODUCT PUBLICATION AT CONNECTPOSITRONIC.COM.
- DIMENSIONS ARE IN INCHES [MILLIMETERS].

	POSITRONIC INDUSTRIES INC. SPRINGFIELD, MISSOURI 65801	
	SCALE N.T.S.	DRAWN BY KV
DECIMAL TOL. ±0.015 [0.38]	GH SERIES	APPROVED BY RK
TITLE GH4MSCLSH10S		
ANGULAR TOL. ±5°	DATE 11-02-18	DRAWING NUMBER SK24549
		REV. A



NOTES:

- MATERIAL AND FINISHES:
 INSULATOR AND HOOD: GLASS FILLED DAP PER ASTM-D-5948, TYPE SDG-F, GREY COLOR.
 CONTACTS: PRECISION MACHINED COPPER ALLOY, GOLD FLASH OVER NICKEL.
 LOCKSPRING: PHOSPHOR BRONZE, ZINC PLATE WITH CHROMATE SEAL.
- DETAILED PRODUCT, MECHANICAL AND ELECTRICAL INFORMATION IS AVAILABLE IN THE LATEST CIRCLE HEX PRODUCT PUBLICATION AT CONNECTPOSITRONIC.COM.
- DIMENSIONS ARE IN INCHES [MILLIMETERS].

 POSITRONIC INDUSTRIES INC. SPRINGFIELD, MISSOURI 65801		SCALE	DRAWN BY
		N.T.S.	APPROVED BY
DECIMAL TOL. ± 0.015 [0.38]	TITLE GH SERIES		DRAWING NUMBER SK24549
ANGULAR TOL. $\pm 5^\circ$	DATE 11-02-18	TITLE GH4MSCLSH10S	