



172 x 150 x 38 mm 6,77 x 5,9 x 1,5 " AC AXIAL FAN

TECHNICAL DATA

Characteristics

- Weight: 0,805 Kg / 1,78 Lb
- Housing in Aluminium
- Impeller in plastic UL 94 V-0
- L-10 life expectancy at 40°C: 80.000 hours
- Operating temperature range: -40 / +85 °C
- Storage temperature: -54 / +85°C
- Connection: Terminals
- GAM T1 listed
- VE/VP impedance protected, VK thermally protected
- IP20

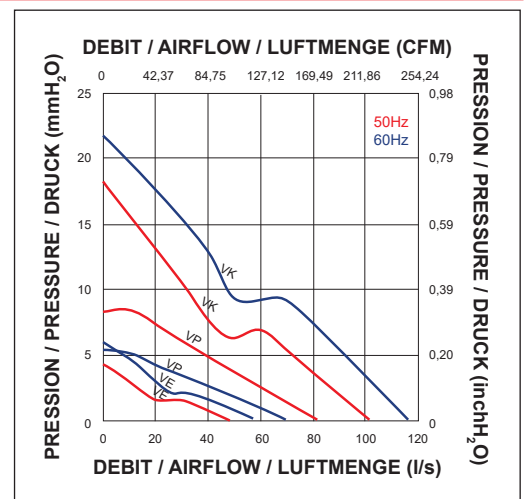
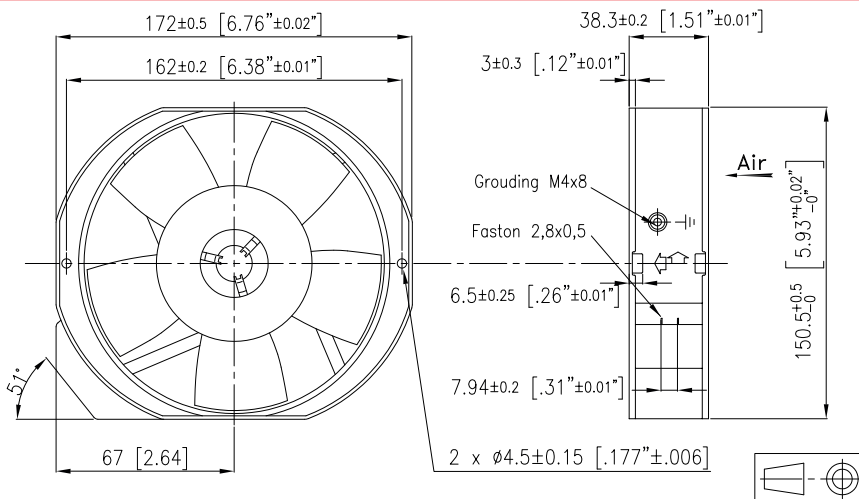
Options

- Speed sensor
- Other IP levels
- Flying leads connection
- Salt spray protection
- Shocks and vibrations protection
- Marine application
- Wide temperature range
- Other voltages
- Three phases

ELECTRICAL AND AERAILIC DATA

Part Number	Voltage	Frequency	Nb Phases	Airflow		Pressure		Nominal speed RPM	Noise level LP dBA	Nominal current mA	Starting current mA	power W	Capacitor μF
	V	Hz		l/s	CFM	mm H ₂ o	inch H ₂ o						
148VE0282030	115	50	1	49,00	103,88	4,50	0,18	1400	36	100	140	11,00	1,00
	115	60	1	58,00	122,96	6,00	0,24	1650	39	90	140	11,00	1,00
148VE0281030	220	50	1	49,00	103,88	4,50	0,18	1400	36	60	80	13,00	0,32
	220	60	1	58,00	122,96	6,00	0,24	1650	39	60	80	14,00	0,32
148VP0282030	115	50	1	81,00	171,72	7,30	0,29	2350	50	120	170	14,00	2,20
	115	60	1	70,00	148,40	5,60	0,22	2100	46	160	180	18,00	2,20
148VP0281030	220	50	1	82,00	173,84	8,30	0,33	2400	49	70	100	16,00	0,69
	220	60	1	70,00	148,40	5,40	0,21	2000	44	100	105	22,00	0,69
148VK0282030	115	50	1	100,00	212,00	18,70	0,74	2850	54	300	610	32,00	2,70
	115	60	1	119,00	252,28	24,00	0,94	3300	57	270	590	32,00	2,70
148VK0281030	220	50	1	100,00	212,00	18,00	0,71	2800	53	200	390	35,00	2,20
	220	60	1	117,00	248,04	21,00	0,83	3200	57	170	370	33,00	2,20

DRAWING AND AIRFLOW CURVE



Non contractual document. All specifications are subject to change without prior notice. For professional use only. Please refer to the conditions of use of our catalogue.