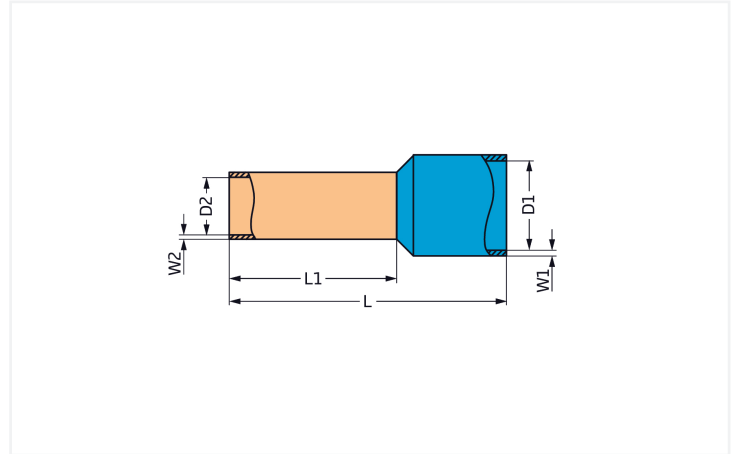


Data Sheet | Item Number: 216-201

Ferrule; Sleeve for 0.5 mm² / 20 AWG; insulated; electro-tin plated; electrolytic copper; acc. to DIN 46228, Part 4/09.90; white

<https://www.wago.com/216-201>



Color: ■ white

Similar to illustration

Dimensions in mm

Connection Data

Metric cross-section of the ferrule	0.5 mm ²
Strip length	9 ... 10 mm / 0.35 ... 0.39 inches
Cross-section (AWG) of ferrule	20 AWG

Physical data

Total length	14 mm
Wall thickness of crimp sleeve	0.15 mm
Wall thickness (plastic collar)	0.25 mm
Crimp length (length of sleeve)	8 mm
Inner diameter of plastic collar	2.6 mm
Diameter crimp sleeve inside	1 mm

Mechanical data

Plastic collar	Standard collar
----------------	-----------------

Material data

Color	white
Fire load	0.001 MJ
Weight	0.1 g

Commercial data

Product Group	2 (Terminal Block Accessories)
PU (SPU)	1000 pcs
Packaging type	Box
Country of origin	DE
GTIN	4017332277433
Customs tariff number	85369010000

Product Classification

UNSPSC	39121405
eCl@ss 10.0	27-40-02-01
eCl@ss 9.0	27-40-02-01
ETIM 9.0	EC000005
ETIM 10.0	EC000005
ECCN	NO US CLASSIFICATION

Environmental Product Compliance

RoHS Compliance Status	Compliant, No Exemption
------------------------	-------------------------

Downloads

Environmental Product Compliance

Compliance Search

Environmental Product Compliance 216-201	↓
------------------------------------------	-------------------

Documentation

Bid Text

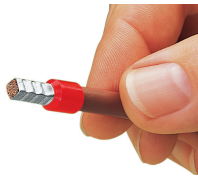
216-201	19.02.2019	xml 2.80 KB	↓
216-201	11.09.2017	doc 23.50 KB	↓

CAD/CAE-Data

CAD data

2D/3D Models 216-201	↓
----------------------	-------------------

Installation Notes



A perfect gas-tight crimp – both electrically and mechanically reliable