

C3216X5R2A224M115AA

TDK Item Description : C3216X5R2A224MT****

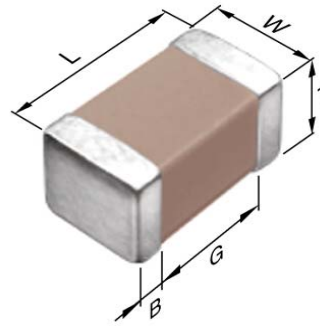


Application & Main Feature

Commercial Grade (Mid Voltage (100 to 630V))

Series

C3216 [EIA CC1206]



Dimensions

- L 3.20mm +/-0.2mm
- W 1.60mm +/-0.2mm
- T 1.15mm +/-0.15mm
- B 0.20mm Min.
- G 1.00mm Min.

Temperature Characteristic

X5R (-55 to 85 degC +/-15%)

Rated Voltage

2A (100Vdc)

Capacitance

220nF

Capacitance Tolerance

M (+/-20%)

Dissipation Factor

3% Max.

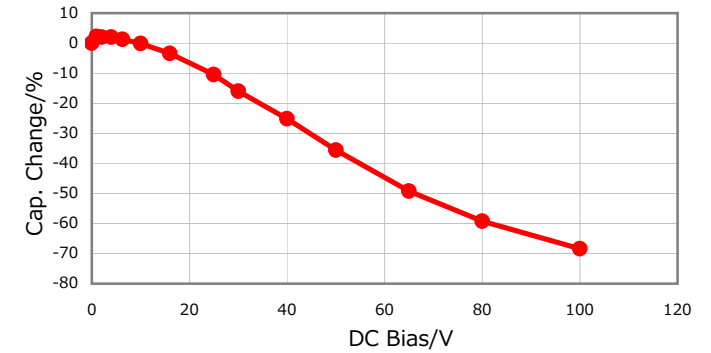
Insulation Resistance

2.27Gohm Min.

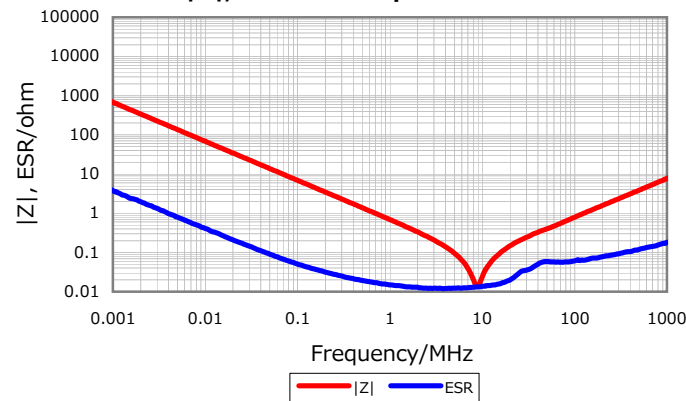
AEC-Q200

Not Applicable

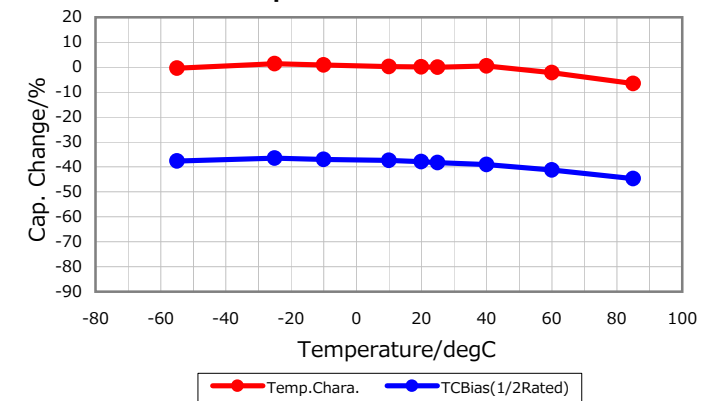
DC Bias Characteristic



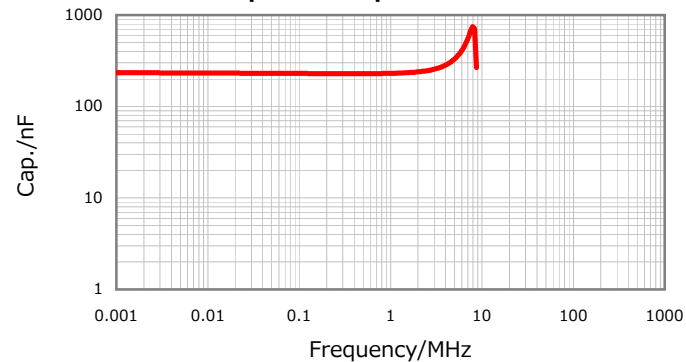
|Z|, ESR vs. Freq. Characteristics



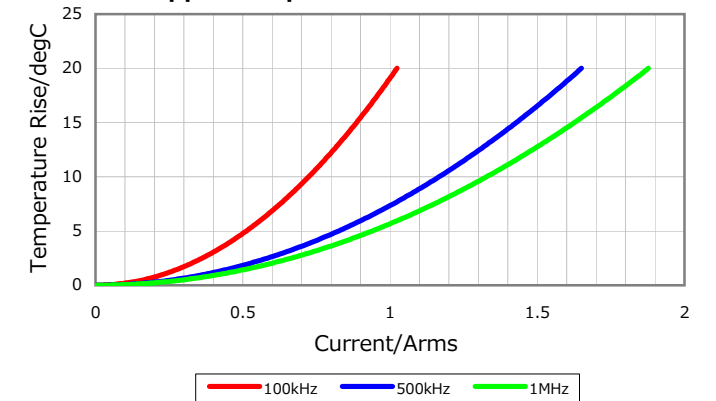
Temperature Characteristics



Cap. vs. Freq. Characteristic



Ripple Temperature Rise Characteristics



Characterization Sheet (Multilayer Ceramic Chip Capacitors)



All specifications are subject to change without notice.

January 3, 2016