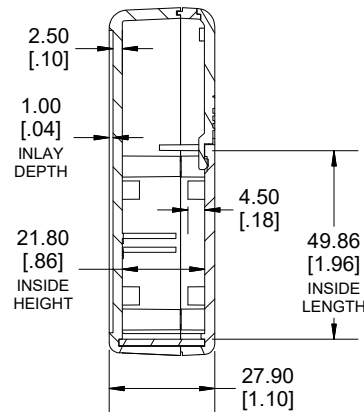
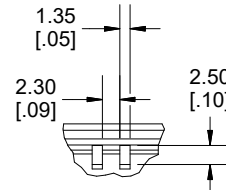


**TOP VIEW**

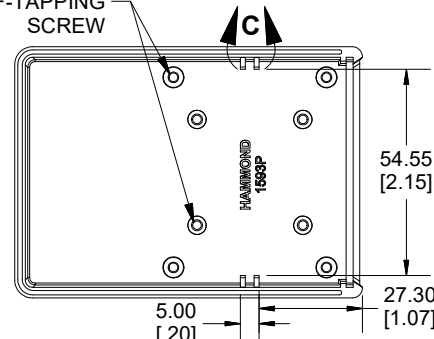


**SECTION B-B  
SIDE VIEW**

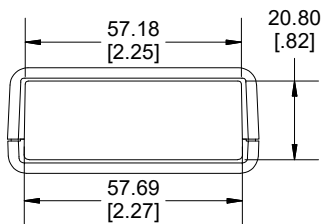


**DETAIL C**

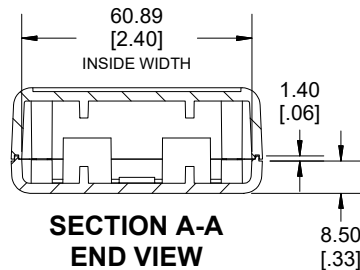
ACCEPTS #4  
SELF-TAPPING  
SCREW



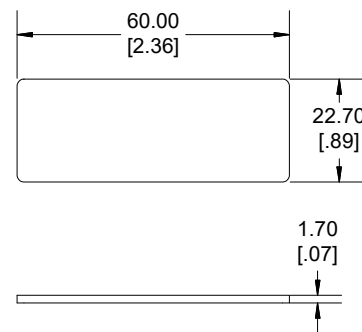
**INSIDE TOP**



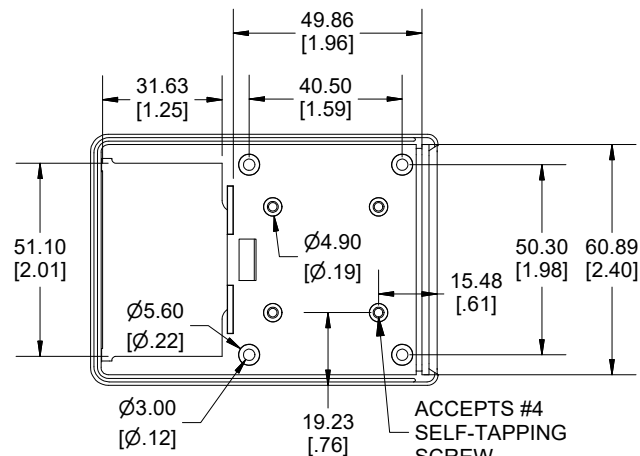
**END VIEW**



**SECTION A-A  
END VIEW**

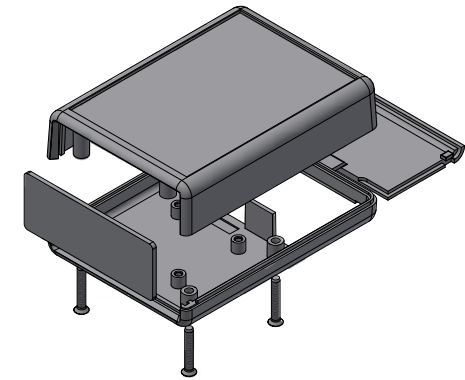


**END PANEL**



**INSIDE BOTTOM**

ACCEPTS #4  
SELF-TAPPING  
SCREW

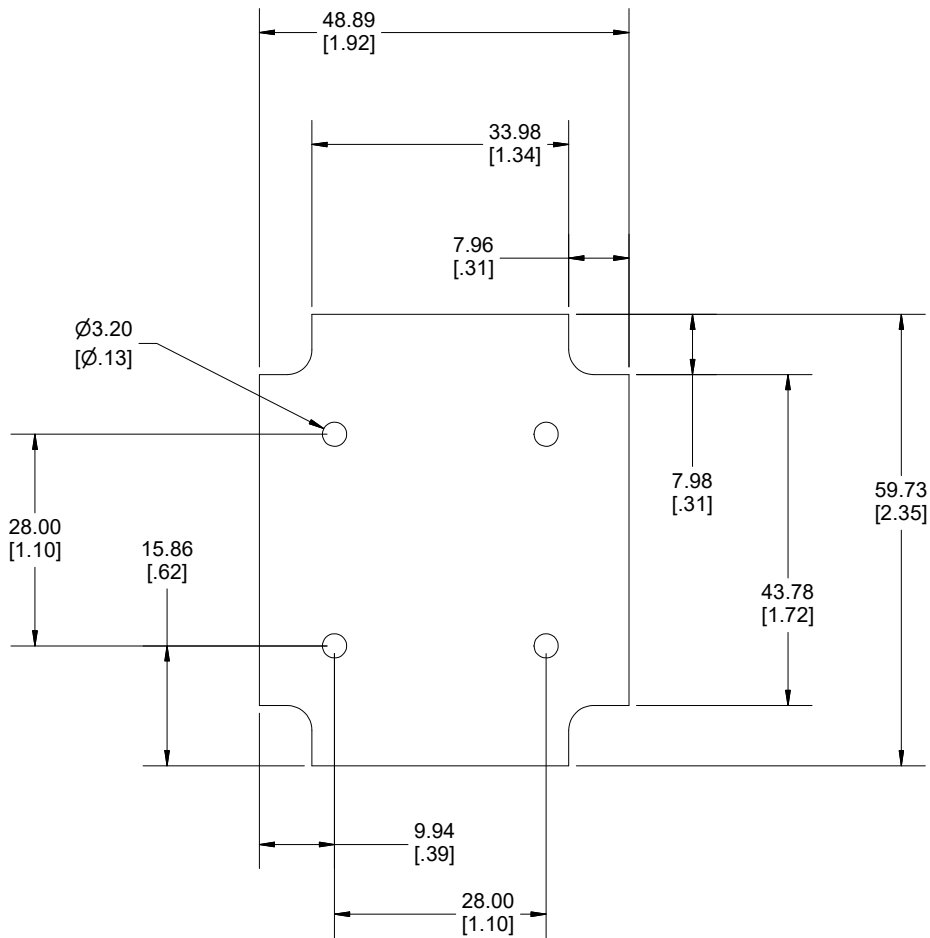


Enclosures can be Factory Modified (Milling, Drilling, Printing etc.)  
Contact Factory (modshop@hammfg.com) for quotes  
Solid models of this enclosure available in .stp or .x\_t  
(Part number and text placement/orientation on our products are subject to change,  
we do not recommend using them as a locating reference for modification purposes)

<b>NOTE</b>		
Enclosure molded from GP ABS (UL94-HB) plastic. Purchased assembly includes top and bottom cover, 1 plastic flat panel for front, battery door and 4 cover screws.		
<b>Recommended Torque: Cover screws - 40 cN-m [57 ozf-in] Internal mounting screws - 20-30 cN-m [29-42 ozf-in]</b>		
<b>1593</b>		
<b>1593P Regular Enclosure</b>		
Black Enclosure	1593PBK	
Grey Enclosure	1593PGY	
Translucent Blue Enclosure	1593PTBU	
<b>ACCESSORIES</b>		
Cover Screws #4 X 3/4" Self-Tapping (100 Pkg)	1593QS100 (Silver) 1593QS100BK (Black)	
P.C. Board Screws #4 X 1/4" Self-Tapping	1593ATS50 (Pkg 50) 1593ATS100 (Pkg 100)	
Nylon Belt Clip	1599CLIP (Black) 1599CLIPGY (Grey)	
1-AAA Battery Holder (Single)	BH1AAAW	
2-AAA Battery Holder (Single)	BH2AAAW	
2-AA Battery Holder (Single)	BH2AAAW	
1-9V Battery Holder (Single)	BS61	
1593P STD FLAT PANEL (SINGLE PANEL)	Black	1593PL1BK-10
	Grey	1593PL1GY-10
	Translucent Blue	1593PL1TBU-10
	Infrared	1593PIR10
1593P STD CONTOURED PANEL (SINGLE PANEL)	Aluminum	1593PAL10
	Black	1593PL2BK-10
	Grey	1593PL2GY-10
	Translucent Blue	1593PL2TBU-10

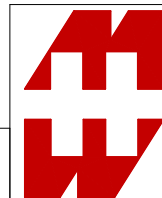
Dimensions:  
mm  
[inches]





**MAX RECOMMENDED PCB SIZE**  
 (NOT SUPPLIED WITH ENCLOSURE,  
 NOT AVAILABLE FOR PURCHASE)

Dimensions:  
 mm  
 [inches]



**HAMMOND  
 MANUFACTURING.**  
 DESIGN RESOURCE  
 1593P PCB  
[www.hammondmfg.com](http://www.hammondmfg.com)

REV: 18.07.2023