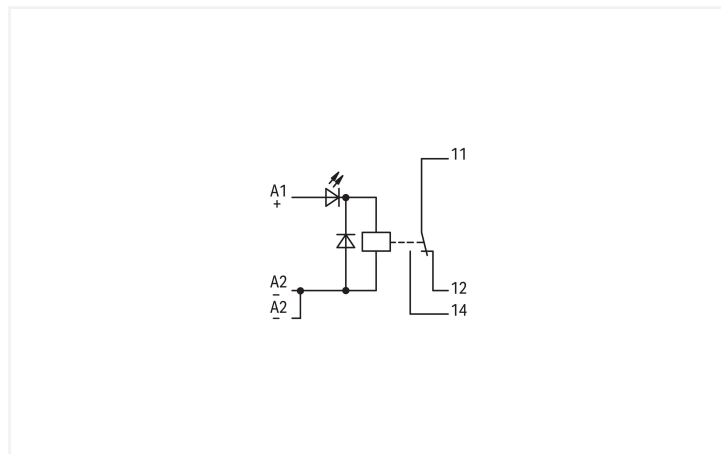


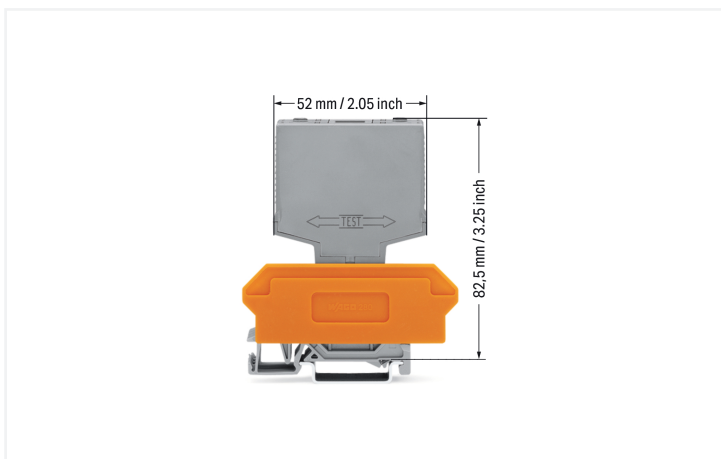
## Data Sheet | Item Number: 286-304

Relay module; Nominal input voltage: 24 VDC; 1 changeover contact; Limiting continuous current: 7 A; Red status indicator; Module width: 15 mm; gray

<https://www.wago.com/286-304>



Color: ■ gray



### Technical data

#### Control circuit

Nominal input voltage $U_N$	24 VDC
Input voltage range	$\pm 10\%$
Nominal input current at $U_N$	20 mA

#### Load circuit

Number of changeover/switchover contacts	1
Contact material (relay)	AgNi 0.15
Limiting continuous current	7 A
Switching Voltage, Max.	250 VAC
Switching power (resistive) max.	AC 1750 VA
Pull-in time (typ.)	8 ms
Drop-out time (typ.)	6 ms
Bounce time (typ.)	4 ms
Electrical life (NO; resistive load; 23 °C)	100 x 10 <sup>3</sup> switching operations
Mechanical life	30 x 10 <sup>6</sup> switching operations

### Signaling

Status indicator	Red LED
------------------	---------

### Safety and protection

Rated Voltage	250 V
Rated impulse withstand voltage	4 kV
Pollution degree	2
Dielectric strength (control/load circuit) (AC, 1 min)	4 kVrms
Dielectric strength (open contact) (AC, 1 min)	1 kVrms
Protection type	IP20

### Physical data

Width	15 mm / 0.591 inches
Height	52 mm / 2.047 inches
Depth from upper-edge of DIN-rail	82.5 mm / 3.248 inches
Note (dimensions)	Depth including carrier terminal block

### Mechanical data

Mounting type	Pluggable module for receptacle terminal blocks
---------------	---

### Material data

Note (material data)	<a href="#">Information on material specifications can be found here</a>
Color	gray
Fire load	0.325 MJ
Weight	34.9 g

### Environmental requirements

Ambient temperature (operation at $U_N$ )	-25 ... +40 °C
Ambient temperature (storage)	-25 ... +70 °C
Processing temperature	-25 ... +50 °C
Relative humidity	5 ... 85 % (no condensation permissible)
Operating altitude (max.)	2000 m

### Standards and Specifications

Standards/specifications	EN 60664-1
--------------------------	------------

### Commercial data

Product Group	6 (INTERFACE ELECTRONIC)
PU (SPU)	15 (1) pcs
Packaging type	Box
Country of origin	DE
GTIN	4045454319465
Customs tariff number	85364900990

**Product Classification**

UNSPSC	39122334
eCl@ss 10.0	27-37-16-01
eCl@ss 9.0	27-37-16-01
ETIM 9.0	EC001437
ETIM 10.0	EC001437
ECCN	NO US CLASSIFICATION

**Environmental Product Compliance**

CAS-No.	7439-92-1 79-94-7
REACH Candidate List Substance	2,2',6,6'-tetrabromo-4,4'-isopropylidenediphenol Lead
RoHS Compliance Status	Compliant,With Exemption
RoHS Exemption	7(a) 7(c)-I
SCIP notification number (Austria)	71c58e3c-a87e-41a4-8a80-e6e3d1dd099b
SCIP notification number (Belgium)	667f0cb8-2825-45da-86d6-0a28634cb55f
SCIP notification number (Bulgaria)	a7c96c7b-4d5a-4c04-a477-34eaf3cb2653
SCIP notification number (Czech Republic)	346a99b5-bdf1-473a-bb88-f590ba06fb42
SCIP notification number (Denmark)	e946ac96-fe04-4b3a-bcb1-377265f415f5
SCIP notification number (Finland)	4fbcd912-9387-4118-9c55-2e2111c37290
SCIP notification number (France)	00017164-6a53-4cff-b5db-0ec23a2c7651
SCIP notification number (Germany)	5c2d757a-70f4-4016-b303-47a4d30883da
SCIP notification number (Hungary)	69953d94-9ef8-408a-b43b-40de0aac994a
SCIP notification number (Italy)	93a1e1fe-187b-4464-9e64-29d035e5367d
SCIP notification number (Netherlands)	e40ba410-8fc6-425f-b190-19964b2e1824
SCIP notification number (Poland)	b9df5c41-202b-4bad-9bd3-6920755b5f70
SCIP notification number (Romania)	723b5020-576b-4067-8859-858834f01692
SCIP notification number (Sweden)	c177ba99-f840-4cb2-aa31-2af6ac3139b3

**Approvals / Certificates**

General approvals			Declarations of conformity and manufacturer's declarations		
			<b>Approval</b>	<b>Standard</b>	<b>Certificate Name</b>
			EAC GZO Almaty Standart	TP TC 004/2011	EAC CoC 03078
			EU-Declaration of Confor- mity WAGO GmbH & Co. KG	-	-

**Downloads**

<b>Environmental Product Compliance</b>	
<b>Compliance Search</b>	
Environmental Product Compliance 286-304	

## Documentation

Bid Text			
286-304	19.02.2019	xml 3.69 KB	↓
286-304	22.03.2018	doc 26.00 KB	↓

Instruction Leaflet			
Operation and Assembly Instructions Interface	V 1.0.0 02.04.2025	pdf 1246.19 KB	↓

## CAD/CAE-Data

CAD data	
2D/3D Models 286-304	↓

CAE data	
WSCAD Universe 286-304	↓
ZUKEN Portal 286-304	↓

## 1 Compatible Products

### 1.1 Optional Accessories

#### 1.1.1 Marking

##### 1.1.1.1 Marker



**Item No.: 209-701**

WSB marking card; as card; not stretchable; plain; snap-on type; white

### 1.1.2 Terminal blocks

#### 1.1.2.1 Terminal block for pluggable modules



**Item No.: 280-619**

Terminal block for pluggable modules; 6-pole; with 2-conductor terminal blocks; with orange separator; for DIN-rail 35 x 15 and 35 x 7.5; 2.5 mm<sup>2</sup>; CAGE CLAMP®; 2,50 mm<sup>2</sup>; gray



**Item No.: 280-763**

Terminal block for pluggable modules; 6-pole; with 4-conductor terminal blocks; with marker carrier; with orange separator; for DIN-rail 35 x 15 and 35 x 7.5; 2.5 mm<sup>2</sup>; CAGE CLAMP®; 2,50 mm<sup>2</sup>; gray

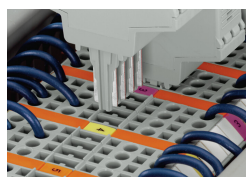


**Item No.: 280-609**

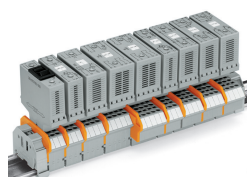
Terminal block for pluggable modules; 6-pole; with 4-conductor terminal blocks; with orange separator; for DIN-rail 35 x 15 and 35 x 7.5; 2.5 mm<sup>2</sup>; CAGE CLAMP®; 2,50 mm<sup>2</sup>; gray

## Installation Notes

### Installation



Coding ensures correct polarity.



Pluggable electronic modules on 2- or 4-conductor carrier terminal blocks

## Marking



Marking via WMB Multi Marking System.

## Testing



Function testing via touch-proof test slots