



SERIES: TS04 | **DESCRIPTION:** TACTILE SWITCH

FEATURES

- surface mount
- black actuator



SPECIFICATIONS

| parameter | conditions/description | min | typ | max | units |
|-----------------------|--|------|---------|------|--------|
| rated voltage | | 1 | | 12 | Vdc |
| rated current | | 0.01 | | 50 | mA |
| withstanding voltage | for 1 minute | | 250 | | Vac |
| contact resistance | applying load of 2 times operating force at 5 Vdc, 10 mA | | | 100 | mΩ |
| insulation resistance | at 100 Vdc for 1 minute | 100 | | | MΩ |
| operating force | see force table | | | | |
| actuator travel | | 0.15 | 0.25 | 0.35 | mm |
| operating temperature | | -30 | | 80 | °C |
| storage temperature | | -40 | | 90 | °C |
| life | rated load, 2 cycles/second, 1.5 times operating force | | | | |
| | 100 gf models | | 100,000 | | cycles |
| | 160 gf models | | 80,000 | | cycles |
| | 260 gf models | | 60,000 | | cycles |
| vibration | 10-55~10 Hz, 1.5 mm amplitude, 2 hours on each XYZ | | | | |
| flammability rating | see material table | | | | |
| RoHS | yes | | | | |

PART NUMBER KEY

TS04 - 66 - XX - BK - XXX - SMT - XX

Base Number

Actuator Height above PCB:
 43 = 4.3 mm *73 = 7.3 mm
 50 = 5.0 mm 75 = 7.5 mm
 55 = 5.5 mm 85 = 8.5 mm
 65 = 6.5 mm 95 = 9.5 mm
 70 = 7.0 mm

Push Force:
 100 = 100 gf
 160 = 160 gf
 260 = 260 gf

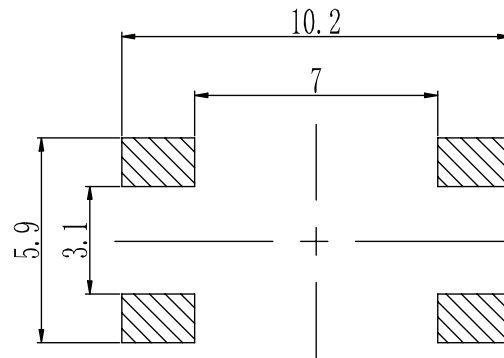
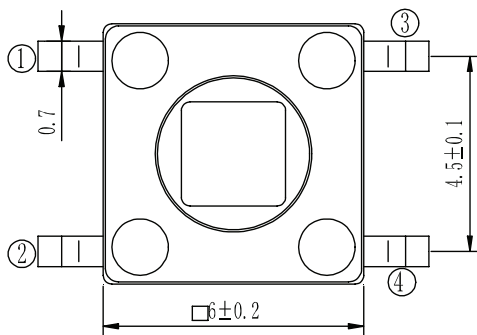
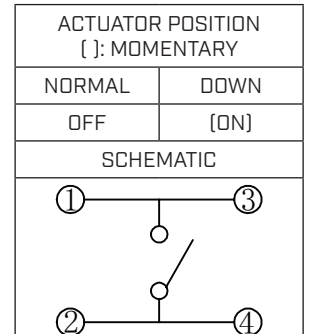
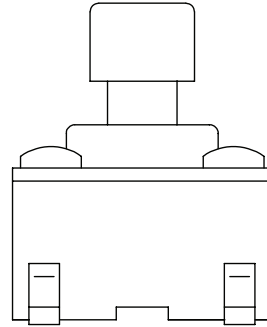
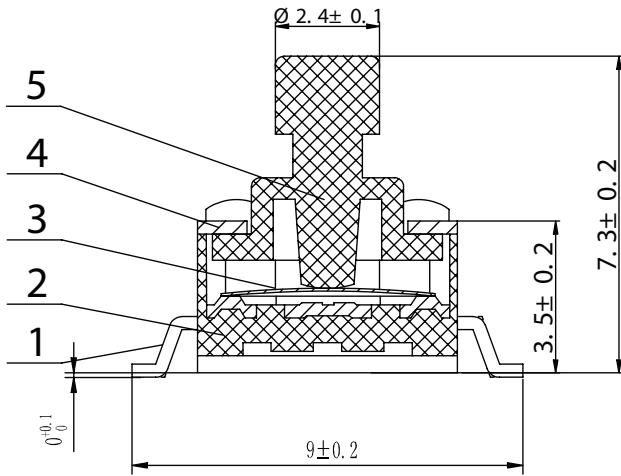
Packaging:
 "blank" = bag
 TR = tape and reel

Note: *7.3 mm height versions have square actuator top. All other models have round actuator top.

MECHANICAL DRAWING (7.3 MM HEIGHT MODELS)

units: mm
tolerance: ± 0.2 mm
unless otherwise noted

| ITEM | DESCRIPTION | MATERIAL | PLATING/COLOR |
|------|-------------|-----------------|---------------|
| 1 | terminals | brass | silver |
| 2 | case | PA66 (UL94HB) | black |
| 3 | contacts | stainless steel | silver |
| 4 | cover | stainless steel | |
| 5 | stem | PA66 (UL94HB) | black |



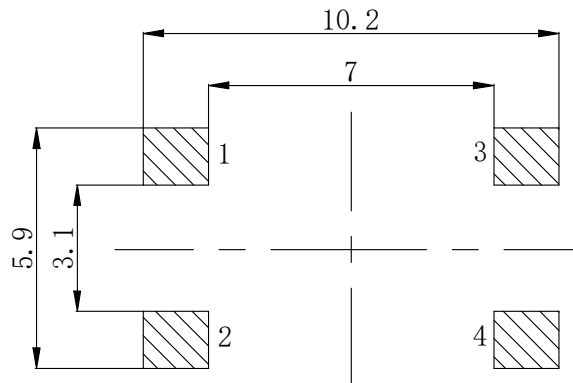
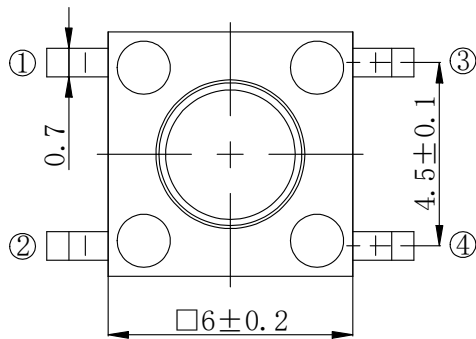
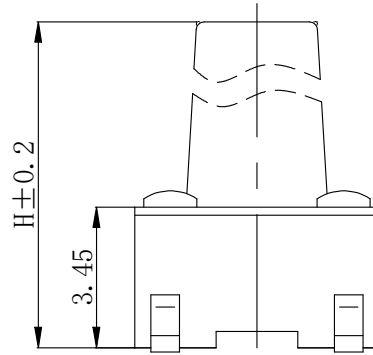
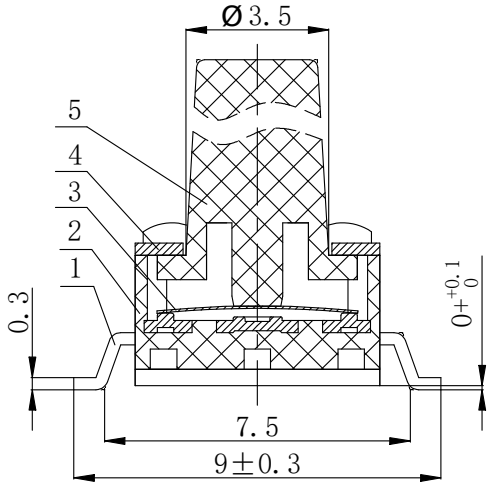
Recommended PCB Layout
Top View

| Operting Force Table | | |
|----------------------|-----------------|------------------|
| Model | Press Force [N] | Return Force [N] |
| 100 | 1.0 \pm 0.3 | >0.2 |
| 160 | 1.8 \pm 0.5 | >0.2 |
| 260 | 2.6 \pm 0.5 | >0.2 |

MECHANICAL DRAWING (ALL OTHER HEIGHT MODELS)

units: mm
tolerance: ± 0.2 mm
unless otherwise noted

| ITEM | DESCRIPTION | MATERIAL | PLATING/COLOR |
|------|-------------|-----------------|---------------|
| 1 | terminals | brass | silver |
| 2 | case | PA66 (UL94HB) | black |
| 3 | contacts | stainless steel | silver |
| 4 | cover | stainless steel | |
| 5 | stem | PA66 (UL94HB) | black |



Recommended PCB Layout
Top View

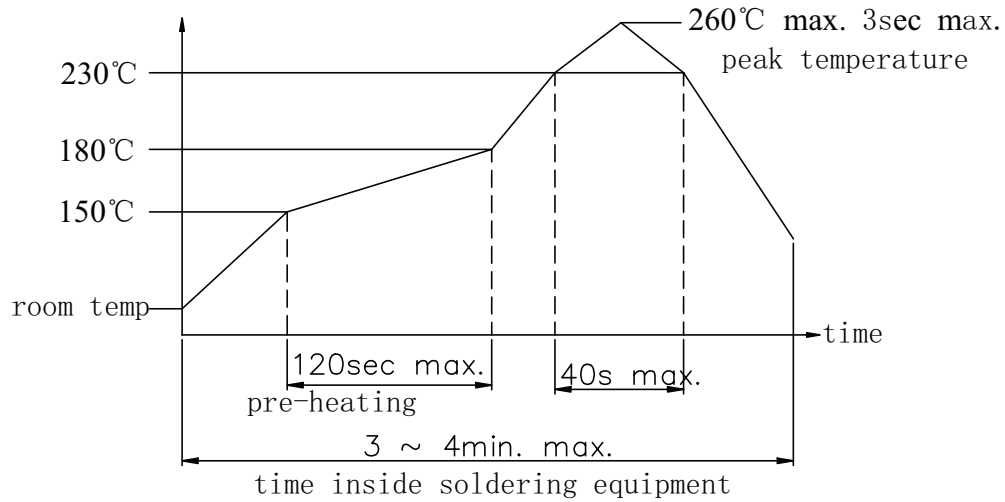


| Operating Force Table | | |
|-----------------------|-----------------|------------------|
| Model | Press Force [N] | Return Force [N] |
| 100 | 1.0 \pm 0.3 | >0.2 |
| 160 | 1.6 \pm 0.5 | >0.2 |
| 260 | 2.6 \pm 0.5 | >0.2 |

SOLDERABILITY

| parameter | conditions/description | min | typ | max | units |
|-------------------------------|------------------------|-----|-----|-----|-------|
| hand soldering | for maximum 3 seconds | | | 350 | °C |
| reflow soldering ¹ | see reflow profile | | | 260 | °C |

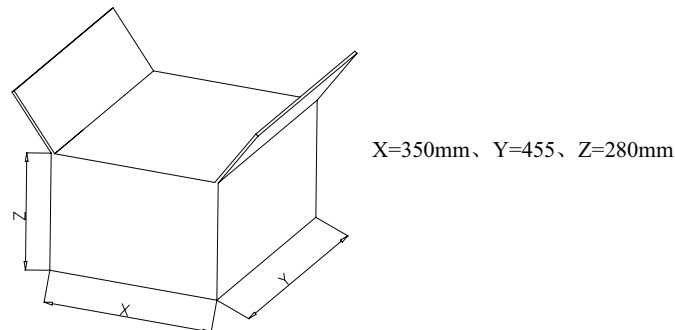
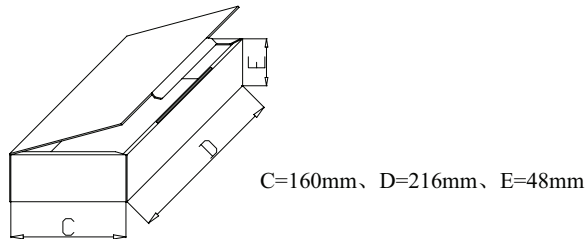
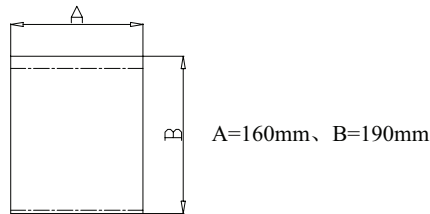
Notes: 1. Do not exceed 2 reflow cycles.



PACKAGING (BAG)

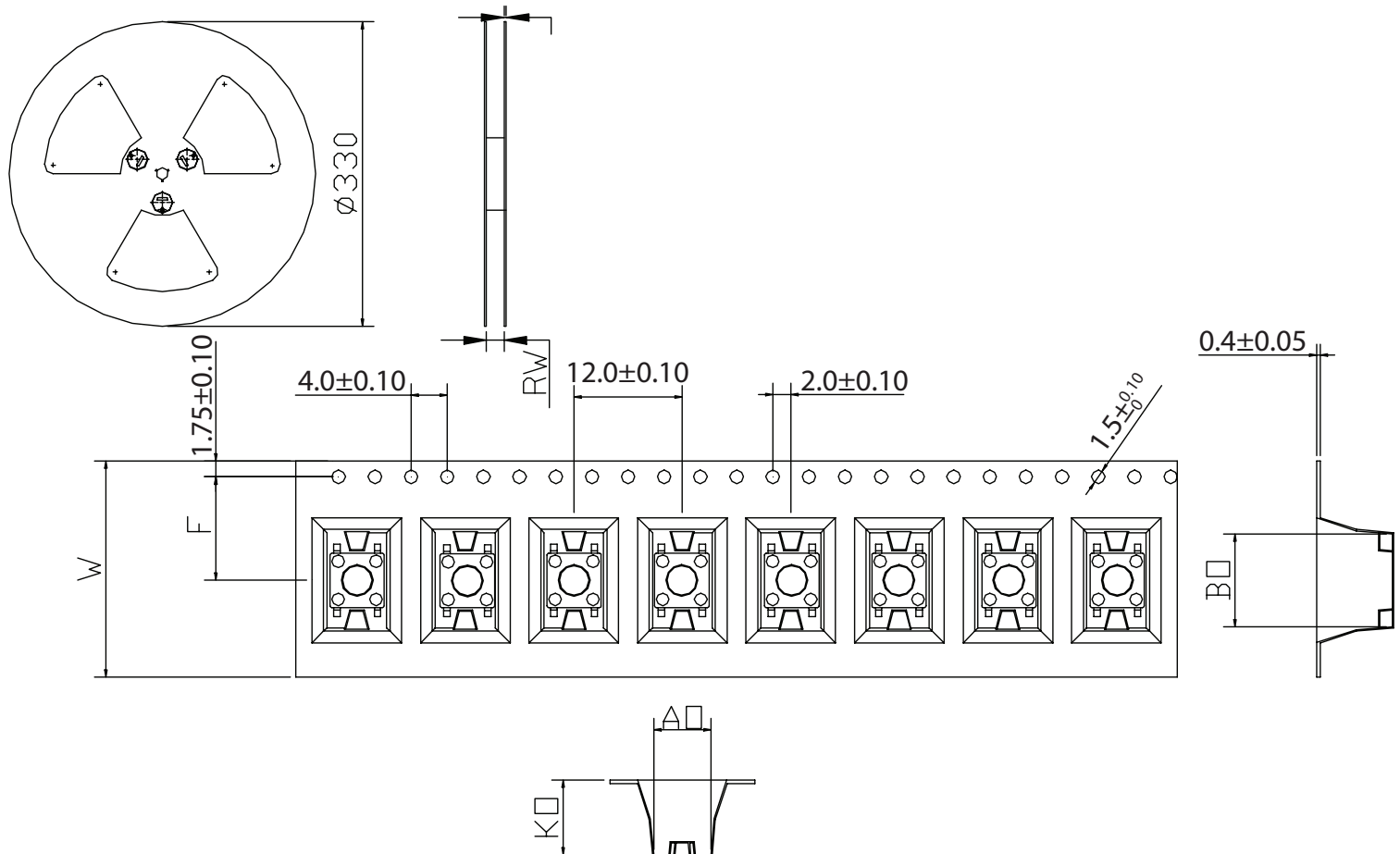
units: mm

Bag Size: 190 x 160 mm
 Carton Box Size: 445 x 350 x 280 mm
 Bag QTY: 1,000 pcs per bag
 Carton Box QTY: 60,000 pcs per carton



PACKAGING (TAPE & REEL)

| Packaging Table | | | | | | | | | |
|-----------------------------|----------|--------------------------|------------|---------|--------|---------|----------|-----------------------------------|----------|
| Actuator Height Models (mm) | Reel QTY | Carton Size [XxYxZ] (mm) | Carton QTY | RW (mm) | W (mm) | A0 (mm) | B0 (mm) | K0 (mm) | F (mm) |
| 4.3 | 1,000 | 340 x 430 x 340 | 20,000 | 16.5 | 16±0.3 | 6.3±0.1 | 10.4±0.1 | 4.5±0.1 | 7.5±0.1 |
| 5.0 | 1,000 | 340 x 430 x 340 | 20,000 | 16.5 | 16±0.3 | 6.3±0.1 | 10.4±0.1 | 5.2±0.1 | 7.5±0.1 |
| 5.5 | 1,000 | 340 x 430 x 340 | 20,000 | 16.5 | 16±0.3 | 6.3±0.1 | 10.4±0.1 | 5.7±0.1 | 7.5±0.1 |
| 6.5 | 800 | 340 x 430 x 340 | 16,000 | 16.5 | 16±0.3 | 6.3±0.1 | 10.4±0.1 | 6.7±0.1 | 7.5±0.1 |
| 7.0 | 750 | 340 x 430 x 340 | 10,500 | 24.5 | 24±0.3 | 6.3±0.1 | 10.3±0.1 | 7.3±0.1 | 11.5±0.1 |
| 7.3 | 750 | 340 x 430 x 340 | 10,500 | 24.5 | 24±0.3 | 6.4±0.1 | 10.5±0.1 | 7.8±0.1 | 11.5±0.1 |
| 7.5 | 750 | 340 x 430 x 340 | 10,500 | 24.5 | 24±0.3 | 6.4±0.1 | 10.5±0.1 | 7.8±0.1 | 11.5±0.1 |
| 8.5 | 500 | 340 x 430 x 340 | 7,000 | 24.5 | 24±0.3 | 6.3±0.1 | 10.4±0.1 | 8.6 ^{+0.1} ₋₀ | 11.5±0.1 |
| 9.5 | 500 | 340 x 430 x 340 | 7,000 | 24.5 | 24±0.3 | 6.3±0.1 | 10.4±0.1 | 9.6 ^{+0.1} ₋₀ | 11.5±0.1 |



- Note: 1. Actuator height 4.3 & 5.0 models have about 15-25 open positions reserved for the front and rear positions of the reel.
 2. Actuator height 5.5 & 6.5 models have about 15-30 open positions reserved for the front and rear positions of the reel.
 3. Actuator height 7.0, 7.3, & 7.5 models have about 20-35 open positions reserved for the front and rear positions of the reel.
 4. Actuator height 8.5 & 9.5 models have about 30-50 open positions reserved for the front and rear positions of the reel.

REVISION HISTORY

| rev. | description | date |
|------|--|------------|
| 1.0 | initial release | 09/20/2021 |
| 1.01 | added 7.3 mm height model drawing | 11/03/2021 |
| 1.02 | logo, datasheet style update | 08/05/2022 |
| 1.03 | added tape and reel packaging option | 05/12/2023 |
| 1.04 | CUI Devices rebranded to Same Sky | 09/12/2024 |
| 1.05 | modified terminal shape and changed terminal plating | 11/03/2025 |

The revision history provided is for informational purposes only and is believed to be accurate.



Same Sky offers a one (1) year limited warranty. Complete warranty information is listed on our website.

Same Sky reserves the right to make changes to the product at any time without notice. Information provided by Same Sky is believed to be accurate and reliable. However, no responsibility is assumed by Same Sky for its use, nor for any infringements of patents or other rights of third parties which may result from its use.

Same Sky products are not authorized or warranted for use as critical components in equipment that requires an extremely high level of reliability. A critical component is any component of a life support device or system whose failure to perform can be reasonably expected to cause the failure of the life support device or system, or to affect its safety or effectiveness.

[sameskydevices.com](https://www.sameskydevices.com)