

184030-1 ✓ ACTIVE

AMP | Sealed Sensor Connector SSC System

TE Internal #: 184030-1

Receptacle Terminal, 20 – 14 AWG, .5 – 2 mm² Wire, 1.8 mm [.07 in]

Tab Width, Gold (Au), Sealed Sensor Connector SSC System

[View on TE.com >](#)



Automotive Parts > Automotive Terminals



Terminal Type: **Receptacle**

Wire Size: **20 – 14 AWG**

Mating Tab Width: **1.8 mm [.07 in]**

Interface Plating: **Gold (Au)**

Features

Product Type Features

Receptacle Style	180°
Primary Locking Feature	On the Terminal
Sealable	No

Contact Features

Typical Current Rating	17 A
Crimp Type	F-Crimp
Contact Size	1.8mm
Contact Fabrication	Stamped & Formed
Wire Contact Termination Area Plating Material	Gold
Terminal Type	Receptacle
Mating Tab Width	1.8 mm [.07 in]
Interface Plating	Gold (Au)
Mating Tab Thickness	.68 mm [.027 in]

Termination Features

Termination Method to Wire & Cable	Crimp
Product Terminates To	Wire

Dimensions

Compatible Insulation Diameter Range	1.2 – 2.7 mm [.047 – .106 in]
Wire Size	20 – 14 AWG



Wire Size Search	.5 mm ² , .6 mm ² , .8 mm ² , 1 mm ² , 1.25 mm ² , 1.5 mm ² , 2 mm ²
Tab Length	16.5 mm [.649 in]

Usage Conditions

Insulation Option	Uninsulated
Operating Temperature (Max)	150 °C [302 °F]
Operating Temperature Range	-40 – 150 °C [-40 – 302 °F]

Operation/Application

Compatible With Wire Base Material	Copper
------------------------------------	--------

Industry Standards

Compatible With Agency/Standards Products	SAE/USCAR-2
---	-------------

Packaging Features

Packaging Method	Package
Packaging Quantity	6000

Other

Terminal Transmits	0 – 24 A (Low Power)
--------------------	----------------------

Product Compliance

[For compliance documentation, visit the product page on TE.com>](#)

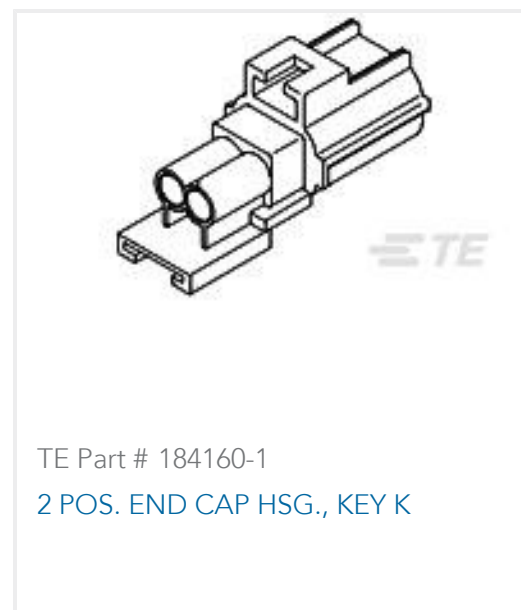
EU RoHS Directive 2011/65/EU	Compliant
EU ELV Directive 2000/53/EC	Compliant
China RoHS 2 Directive MIIT Order No 32, 2016	有害物质含量符合标准要求 No Restricted Substance(s) Above Threshold
EU REACH Regulation (EC) No. 1907/2006	Current ECHA Candidate List: JUNE 2025 (250) Candidate List Declared Against: JAN 2025 (247) Does not contain REACH SVHC
Halogen Content	Low Halogen - Br, Cl, F < 900 ppm per homogenous material. Also BFR/CFR/PVC Free
Solder Process Capability	Not reviewed for solder process capability

Product Compliance Disclaimer

This information is provided based on reasonable inquiry of our suppliers and represents our current actual knowledge based on the information they provided. This information is subject to change. The part numbers that TE has identified as EU RoHS compliant have a maximum concentration of 0.1% by weight in homogenous materials for lead, hexavalent

chromium, mercury, PBB, PBDE, DBP, BBP, DEHP, DIBP, and 0.01% for cadmium, or qualify for an exemption to these limits as defined in the Annexes of Directive 2011/65/EU (RoHS2). Finished electrical and electronic equipment products will be CE marked as required by Directive 2011/65/EU. Components may not be CE marked. Additionally, the part numbers that TE has identified as EU ELV compliant have a maximum concentration of 0.1% by weight in homogenous materials for lead, hexavalent chromium, and mercury, and 0.01% for cadmium, or qualify for an exemption to these limits as defined in the Annexes of Directive 2000/53/EC (ELV). Regarding the REACH Regulation, the information TE provides on SVHC in articles for this part number is based on the latest European Chemicals Agency (ECHA) 'Guidance on requirements for substances in articles' posted at this URL: <https://echa.europa.eu/guidance-documents/guidance-on-reach>

Compatible Parts






TE Part # 184116-1
2 POS. PLUG ASSY, KEY H 1/2



TE Part # 184170-1
2 POS. CAP HSG., KEY H




TE Part # 184311-1
ASSY, PLUG HSG 3 POS, KEY A



TE Part # 184397-1
2X2 PLUG ASSEMBLY, D KEY, CLAS


Also in the Series | Sealed Sensor Connector SSC System



Automotive Connector Caps & Covers (2)



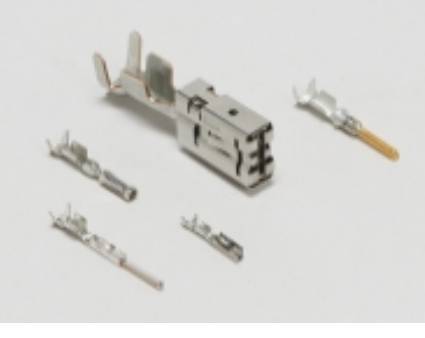
Automotive Connector Locks & Position Assurance(2)



Automotive Housings(34)



Automotive Signal & Power Connector Housings(33)



Automotive Terminals(5)

Customers Also Bought



TE Part #YD369-MR33-NS10000
369 3 WAY SHIELDED REC, CRIMPT, SKT



TE Part #62050-2
110 FASTON REC 20-16 AWG NPST



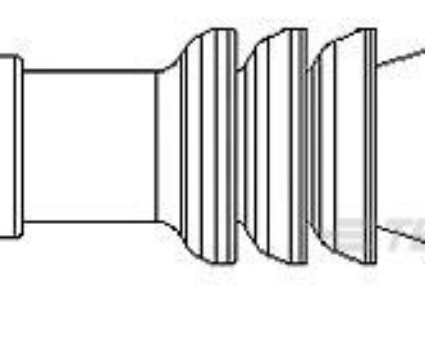
TE Part #184000-1
2 POS. PLUG ASSY, KEY A, BLACK



TE Part #184140-1
WIRE SEAL,RUBBER,SENSOR, ORANGE



TE Part #928960-7
PL 250 REC TERMINAL 11-10 AWG PTPB



TE Part #963142-1
MQS SINGLE-WIRE SEAL FOR 4MM



TE Part #2-2112966-2
TAB 5.8x0.8 CONTACT CF SWS Ag



TE Part #2176378-5
RQ 0805 11R 0.1% 10PPM 5K RL



Documents

Product Drawings

[RECPT, CONTACT 070, AUPHBZ](#)

English

CAD Files

[3D PDF](#)

English

Customer View Model

[ENG_CVM_184030-1_G.2d_dxf.zip](#)

English

Customer View Model

[ENG_CVM_184030-1_G.3d_igs.zip](#)

English

Customer View Model

[ENG_CVM_184030-1_G.3d_stp.zip](#)

English

By downloading the CAD file I accept and agree to the [Terms and Conditions](#) of use.

Product Specifications

[Application Specification](#)

English