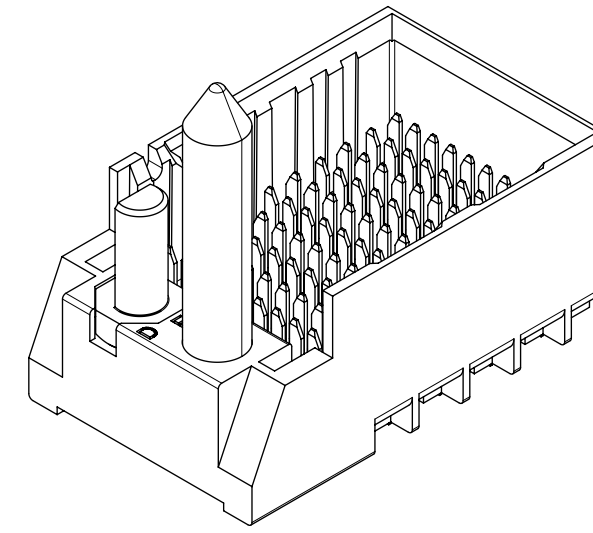


- NOTES:**
1. MATERIALS: HOUSING - LIQUID CRYSTAL POLYMER (LCP) GLASS-FILLED, UL94V-0
TERMINALS - HIGH PERFORMANCE COPPER ALLOY
 2. FINISH: 30μ INCH MIN GOLD IN CONTACT AREA.
SELECTIVE MATTE TIN ON PCB TAILS, NICKEL OVERALL.
 3. REFER TO MOLEX PRODUCT SPECIFICATION PS-170540-999 FOR PERFORMANCE SPECIFICATIONS AND ADDITIONAL PCB INFORMATION.
 4. THIS PART CONFORMS TO CLASS B REQUIREMENTS OF MOLEX COSMETIC SPEC PS-45499-002.
 5. "THESE DIMENSIONS REPRESENT THE AREA NEEDED TO ACCOMMODATE CONNECTOR INSERTION AND REPAIR ON THE PC BOARD. THIS IS REFERRED TO AS THE "CONNECTOR KEEP OUT ZONE" AND DOES NOT REPRESENT THE ACTUAL PERIMETER OF THE CONNECTOR. WHEN LAYING OUT A PC BOARD FOR CONNECTORS STACKED TOGETHER, USE A 1.9mm PROGRESSION."
 6. PACKAGE PER: PK-70873-758.
 7. SEE SHEETS 2 & 3 FOR PART NUMBERS AND BOARD RELATIONSHIPS.
 8. FOR GROUNDED GUIDE PINS USE $\varnothing 3.56 \pm 0.08$ (PTH) $\varnothing 3.66$ (DRILL) & $\varnothing 6.5$ (PAD).
 9. REFER TO MOLEX PCB ROUTING GUIDE AS-76060-990 FOR ANTIPAD AND ROUTING RECOMMENDATIONS.
 10. CONNECTORS SUPPLIED WITH A 2-56 UNC-2A SCREW, MOLEX P/N 73774-1000.
 11. MINIMUM CIRCUIT BOARD THICKNESS: 1.0mm
 12. KEEP OUT ZONE FOR BP HOUSING LENGTH INCLUDES AN ADDITIONAL 1.0mm TO ACCOMMODATE FOR SPACE REQUIRED BY DC FRONT HOUSING.

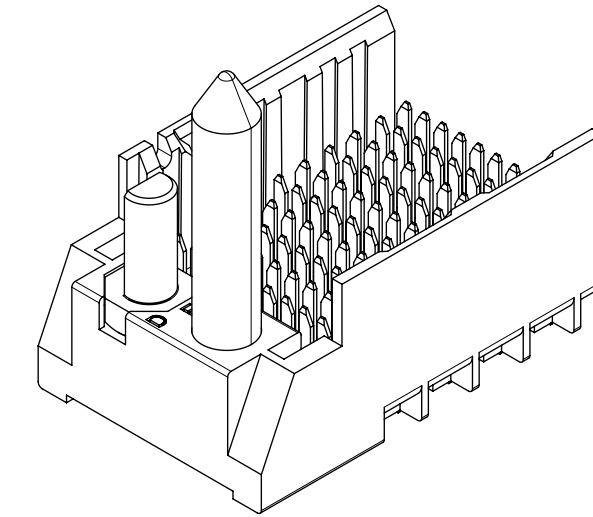
QUALITY SYMBOLS	THIS DRAWING CONTAINS INFORMATION THAT IS PROPRIETARY TO MOLEX ELECTRONIC TECHNOLOGIES, LLC AND SHOULD NOT BE USED WITHOUT WRITTEN PERMISSION		GENERAL TOLERANCES (UNLESS SPECIFIED)		DIMENSION UNITS		SCALE		molex	
			ANGULAR TOL $\pm 0.5^\circ$		mm		4:1			
$\nabla = 0$	MIGRATED TO NX EC NO: 168628 DRWN: KUCHILA CHKD: PRAMASWAMY REV: APPR: PRAMASWAMY	2017/11/09 2017/11/27 2017/11/28	4 PLACES \pm		DRWN BY	DATE		IMPACT 3-PAIR 85-OHM LEFT GUIDED BACKPLANE SALES ASSEMBLY DRAWING		
$\nabla = 0$			3 PLACES \pm		DMORGAN	2014/07/21				
$\nabla = 0$			2 PLACES ± 0.13		CHKD BY	DATE				
$\nabla = 0$			1 PLACE ± 0.25		MPOFF	2014/07/21				
$\nabla = 0$			0 PLACES \pm		APPR BY	DATE				
$\square = 0$	DRAFT WHERE APPLICABLE MUST REMAIN WITHIN DIMENSIONS		SMILLER	2014/08/04		PRODUCT CUSTOMER DRAWING				
$\nabla = 0$	D3		DRAWING SIZE		THIRD ANGLE PROJECTION		SERIES	MATERIAL NUMBER	CUSTOMER	
			C				170525	SEE CHART	GENERAL MARKET	
							DOCUMENT NUMBER	DOC TYPE	DOC PART	SHEET NUMBER
							SD-170525-0002	PSD	001	1 OF 3

PART NUMBER CHART

MATERIAL NUMBER	# OF COLUMNS	# OF DIFF PAIR	DIM "A"	DIM "B"	GUIDE LEFT END WALL OPTION
170525-78**	8	24	23.1	13.30	
170525-71**	10	30	26.9	17.10	
170525-72**	12	36	30.7	20.90	
170525-76**	16	48	38.3	28.50	



MATERIAL NUMBER	# OF COLUMNS	# OF DIFF PAIR	DIM "A"	DIM "B"	GUIDE LEFT OPEN WALL OPTION
170525-38**	8	24	21.7	13.30	
170525-31**	10	30	25.5	17.10	
170525-32**	12	36	29.3	20.90	
170525-36**	16	48	36.9	28.50	



**GUIDE LEFT
OPEN WALL
OPTION**

PART NUMBER LOGIC

170525- * * * *

MODULE TYPE

- 3 = GUIDE LEFT, MATTE TIN
- 7 = GUIDE LEFT END WALL, MATTE TIN

OF COLUMNS

- 1 = 10 COL
- 2 = 12 COL
- 6 = 16 COL
- 8 = 8 COL

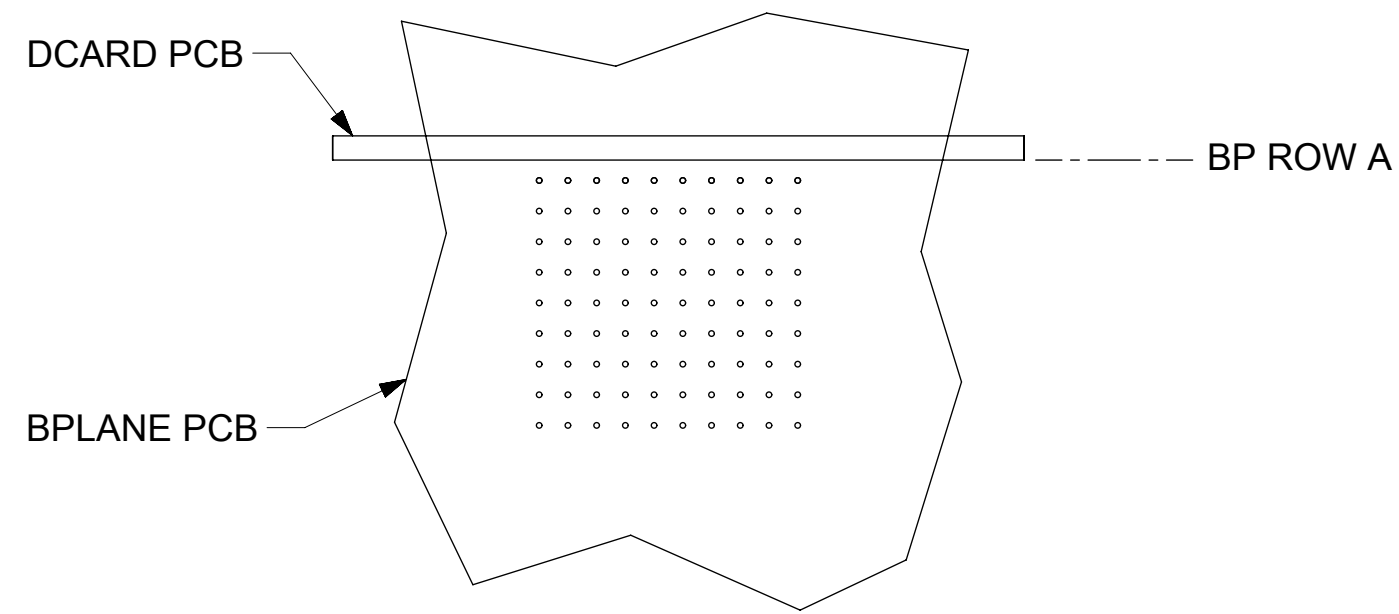
PIN LENGTH (P)

- 3 = 4.50 (SHORT COMPLIANT, 0.46±0.05 PTH)
- 4 = 4.90 (SHORT COMPLIANT, 0.46±0.05 PTH)
- 5 = 5.50 (SHORT COMPLIANT, 0.46±0.05 PTH)
- 6 = 4.50 (MICRO COMPLIANT, 0.39±0.05 PTH)
- 7 = 4.90 (MICRO COMPLIANT, 0.39±0.05 PTH)
- 8 = 5.50 (MICRO COMPLIANT, 0.39±0.05 PTH)

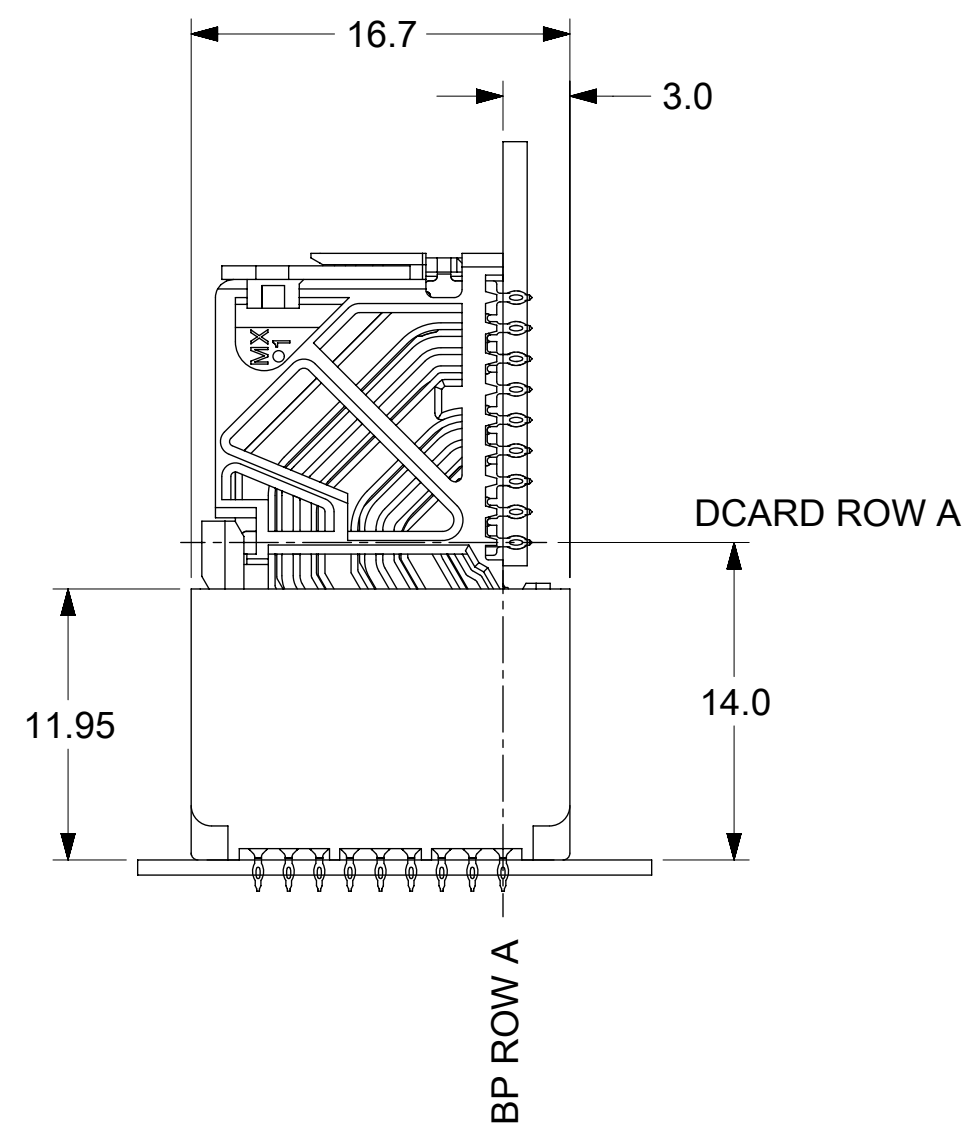
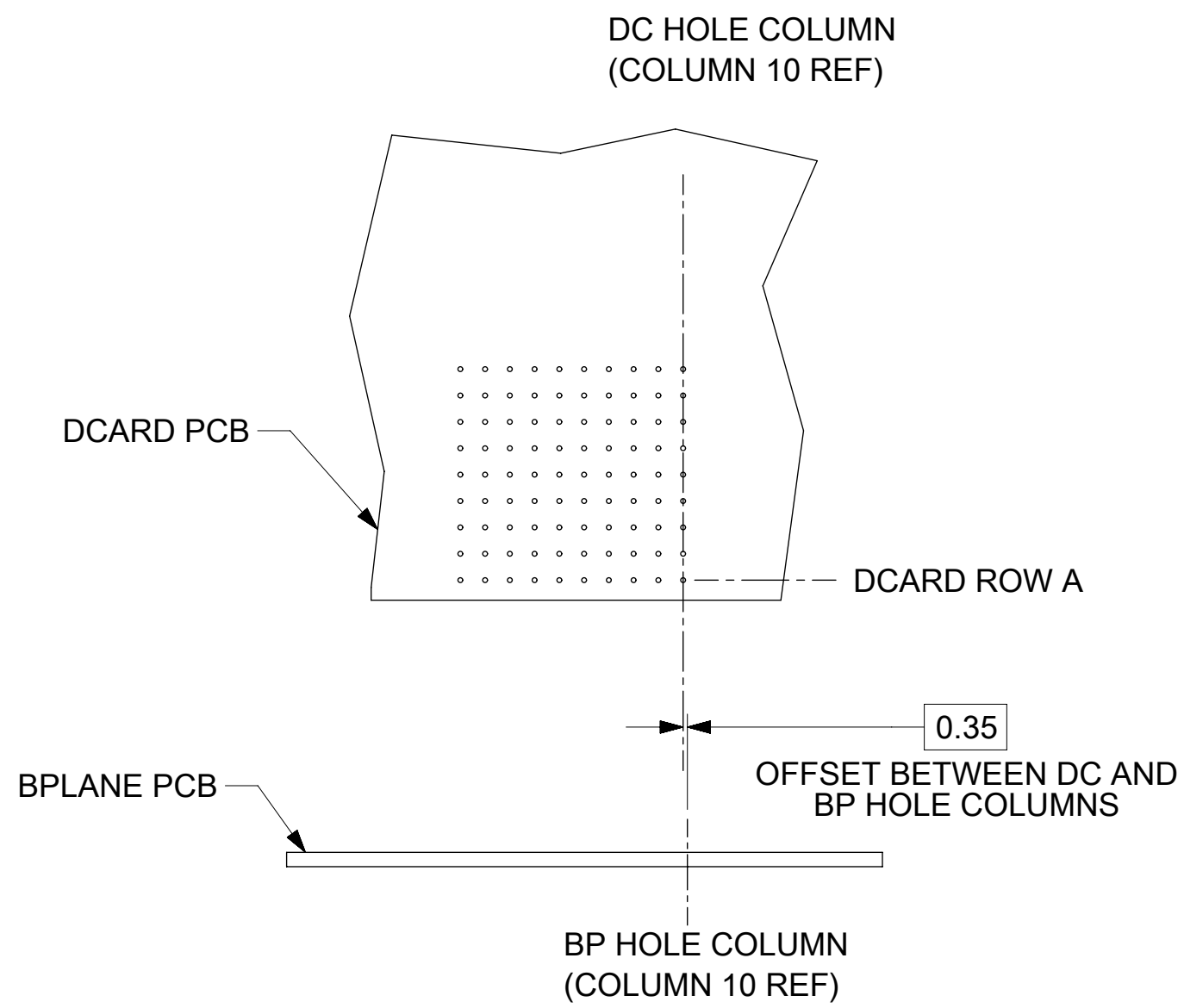
KEY ORIENTATION

- 0 = NO KEY
- 1 = A
- 2 = B
- 3 = C
- 4 = D
- 5 = E
- 6 = F
- 7 = G
- 8 = H

QUALITY SYMBOLS ▽ = 0 ▽ = 0 ▽ = 0 ▼ = 0 ▽ = 0 ⊠ = 0 ■ = 0 ▽ = 0	THIS DRAWING CONTAINS INFORMATION THAT IS PROPRIETARY TO MOLEX ELECTRONIC TECHNOLOGIES, LLC AND SHOULD NOT BE USED WITHOUT WRITTEN PERMISSION										
	EC NO: 168628 DRWN: KUCHILA CHKD: PRAMASWAMY APPR: PRAMASWAMY	2017/11/09 2017/11/27 2017/11/28	GENERAL TOLERANCES (UNLESS SPECIFIED)		DIMENSION UNITS	SCALE					
			ANGULAR TOL ± 0.5 °		mm	2.5:1					
			4 PLACES ±		DRWN BY	DATE	IMPACT 3-PAIR 85-OHM LEFT GUIDED BACKPLANE SALES ASSEMBLY DRAWING				
			3 PLACES ±		DMORGAN	2014/07/21					
			2 PLACES ± 0.13		CHKD BY	DATE					
	1 PLACE ± 0.25		MPOFF	2014/07/21	PRODUCT CUSTOMER DRAWING						
	0 PLACES ±		APPR BY	DATE							
	DRAFT WHERE APPLICABLE MUST REMAIN WITHIN DIMENSIONS		SMILLER	2014/08/04	SERIES	MATERIAL NUMBER	CUSTOMER				
	D3		C		THIRD ANGLE PROJECTION		170525	SEE CHART	GENERAL MARKET		
						DOCUMENT NUMBER	DOC TYPE	DOC PART	SHEET NUMBER		
						SD-170525-0002	PSD	001	2 OF 3		



**IMPACT 3 PAIR
BOARD RELATIONSHIPS**



QUALITY SYMBOLS		THIS DRAWING CONTAINS INFORMATION THAT IS PROPRIETARY TO MOLEX ELECTRONIC TECHNOLOGIES, LLC AND SHOULD NOT BE USED WITHOUT WRITTEN PERMISSION									
▽ = 0	▽ = 0	MIGRATED TO NX EC NO: 168628 DRWN: KUCHILA CHKD: PRAMASWAMY REV APPR: PRAMASWAMY 2017/11/09 2017/11/27 2017/11/28	GENERAL TOLERANCES (UNLESS SPECIFIED)			DIMENSION UNITS	SCALE	molex			
▽ = 0	▽ = 0		ANGULAR TOL ± 0.5 °			mm	1:1				
▽ = 0	▽ = 0		4 PLACES ±			DRWN BY	DATE	IMPACT 3-PAIR 85-OHM LEFT GUIDED BACPLANE SALES ASSEMBLY DRAWING			
▽ = 0	▽ = 0		3 PLACES ±			DMORGAN	2014/07/21				
▽ = 0	▽ = 0		2 PLACES ± 0.13			CHK'D BY	DATE	PRODUCT CUSTOMER DRAWING			
▽ = 0	▽ = 0		1 PLACE ± 0.25			MPOFF	2014/07/21				
▽ = 0	▽ = 0	0 PLACES ±			APPR BY	DATE	SERIES MATERIAL NUMBER CUSTOMER 170525 SEE CHART GENERAL MARKET				
▽ = 0	▽ = 0	DRAFT WHERE APPLICABLE MUST REMAIN WITHIN DIMENSIONS			SMILLER	2014/08/04					
□ = 0	■ = 0	DRAWING SIZE	THIRD ANGLE PROJECTION			DOCUMENT NUMBER		DOC TYPE	DOC PART	SHEET NUMBER	
▽ = 0	▽ = 0	C				SD-170525-0002		PSD	001	3 OF 3	