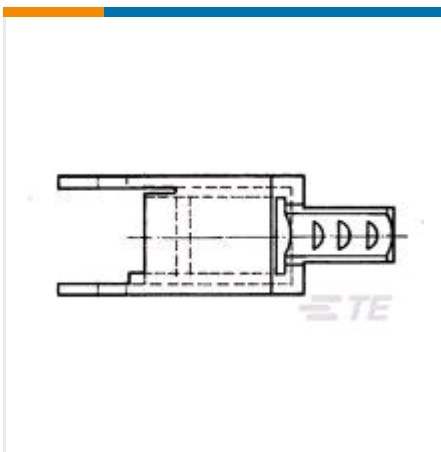




Need more information?

Detailed information about this product is not currently available on TE.com. [Contact us](#) for product documentation and for information about similar and replacement products.

CHAT NOW



✓ Active

TE CONNECTIVITY (TE) 10P.AMP-RS COVER

AMPMODU

166497-1

TE Internal Number: 166497-1

EU RoHS Compliant
EU ELV Compliant

↓ **PRODUCT DRAWING**
English

DOCUMENTATION

Product Drawings

Cover For 2x10 Pos. 2,54x2,54 Standard Tandem Spring Connector

PDF (TIFF AVAILABLE)

English

FEATURES

Please review product documents or [contact us](#) for the latest agency approval information.

Please Note: Use the Product Drawing for all design activity.

Detailed product features are not currently available online.

PRODUCT COMPLIANCE



Statement of Compliance

Statement of Compliance

PDF
