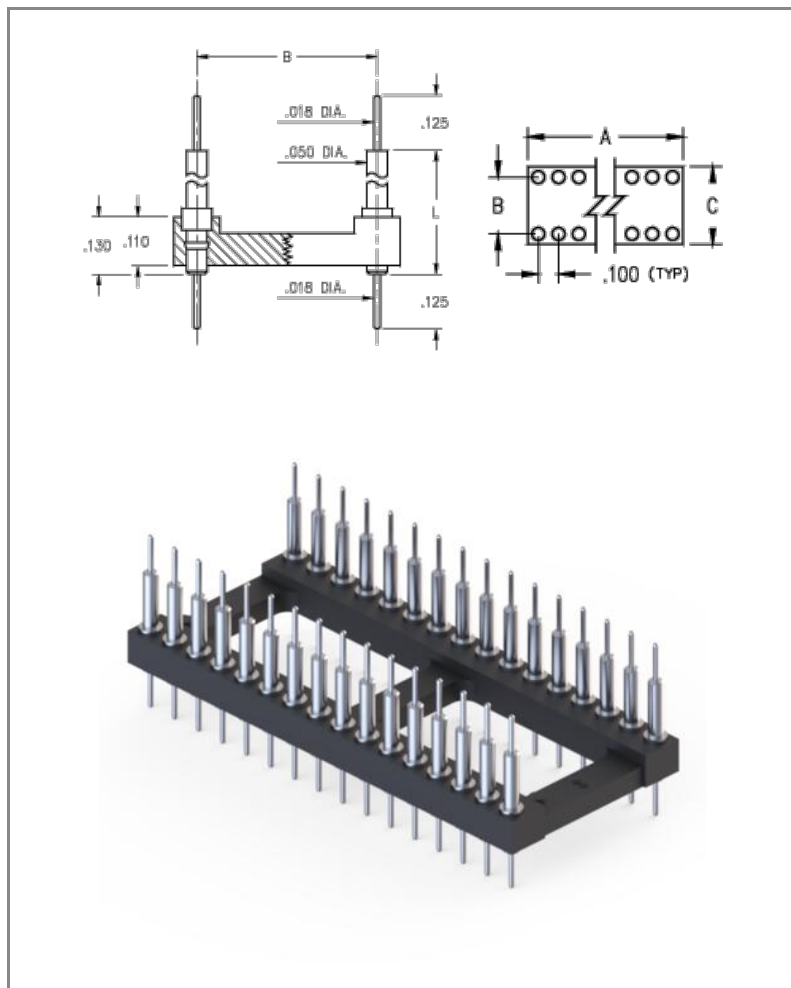




PRODUCT NUMBER: 142-90-632-00-592000

www.mill-max.com  
DATA SHEET



| General Info                    |   |
|---------------------------------|---|
| <b>Description<sup>1</sup>:</b> | Board Stacking DIP Header<br>.018" (0,457mm) Pin Head |
| <b>Type:</b>                    | DIP   |
| <b>Category:</b>                | Dual In Line Header                                   |
| <b>Mounting Style:</b>          | Through Hole Solder Mount                             |
| <b>Tail Type:</b>               | Solder Tail   |
| <b># Pins:</b>                  | 32  |
| <b>Packaging:</b>               | Packaged in Tubes                                     |
| <b>Qty Tube:</b>                | 12  |
| <b>Frame Type:</b>              | Open Frame  |
| <b>Head Type:</b>               | Pin Head  |
| <b>ECCN:</b>                    | EAR99   |
| <b>HTSUS:</b>                   | 8536.90.4040  |
| <b>Product Lifecycle:</b>       | Active  |

# 142-90-632-00-592000- SPECIFICATIONS

| Environmental Specs               |                  |
|-----------------------------------|------------------|
| Temperature Range <sup>2</sup> :  | -55/+125° C      |
| Moisture Sensitivity Level (MSL): | 1 (Unlimited)    |
| REACH Status:                     | REACH Unaffected |

| Mechanical Specs |                 |
|------------------|-----------------|
| Mounting Hole:   | .022" (0,559mm) |

| Materials                          |  |
|------------------------------------|--|
| Loose Pin/Receptacle # (Material): | 4259 (Brass Alloy)                       |
| Shell Plating:                     | 200 μ" Tin/Lead(93/7) over 100 μ" Nickel |
| Inner Plating:                     |  |
| Insulator Material:                | High Temp Thermoplastic                  |

| Technical Specs |                   |
|-----------------|-------------------|
| Pitch:          | .100" (2,540mm)   |
| A Dim:          | 1.600" (40,640mm) |
| B Dim:          | .600" (15,240mm)  |
| C Dim:          | .700" (17,780mm)  |
| L Dim:          | .335" (8,509mm)   |

| Electrical Specs                 |                      |
|----------------------------------|----------------------|
| Current Rating <sup>3</sup> :    | Application Specific |
| Rated Voltage:                   | 100 VRMS/150 VDC     |
| Insulation Resistance:           | 10,000 MΩ min.       |
| Dielectric Withstanding Voltage: | 1,000 VRMS min.      |

## NOTES:

- Standard Tolerances:  
 Assembly tolerance: +/- .010" (.25mm)  
 Insulator length: +/- .005 (.13mm)  
 Insulator width: +/- .005 (.13mm)  
 Insulator height: +/- .005 (.13mm)  
 Pin Length: +/- .005 (.13mm)  
 Pin Diameter: +/- .002 (.051mm)  
 Pin Angle: +/- 2°  
 Co-planarity of SMT connectors: .005" (.13mm) up to 1" (25.4mm) in connector length  
 Insulator Flatness: .005" (.13mm) up to 1" (25.4mm) in connector length
- Per IEC 60512-11-(4,-9,-10,-12)
- Current rating is typically a measured function of the female socket/connector. The amount of current a solid, male, brass pin can tolerate is a direct relation of the heat displaced based on current and the ability of neighboring components to handle displaced heat.

## ADDITIONAL NOTES AND SPECIFICATIONS

In the interest of improved design, quality and performance , Mill-Max reserves the right to make changes in its specifications without prior notice. Specifications and tolerances are provided wherever possible. The tolerance on dimensions of critical to function features is typically held tighter than the stated standard tolerances, such as press-fits, holes and lengths affecting the coplanarity of SMT products. Due to the wide variety of interconnects Mill-Max offers, the specific tolerances vary from product to product. If you need information regarding the tolerance of a particular part, please contact Technical Services.

## RELATED LINKS AND DOCUMENTS

Environmental Compliance: ( <https://www.mill-max.com/rohs> )