

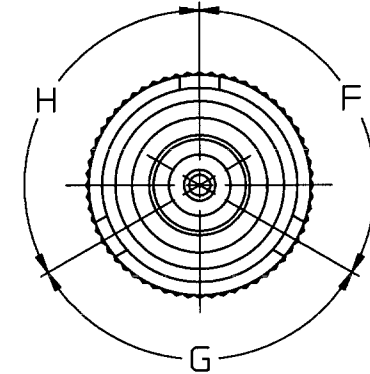
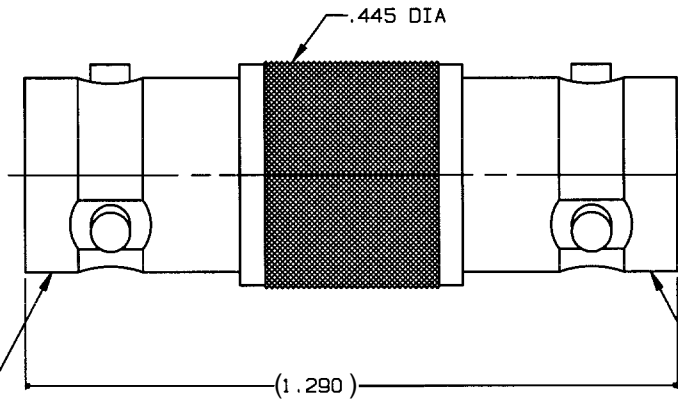
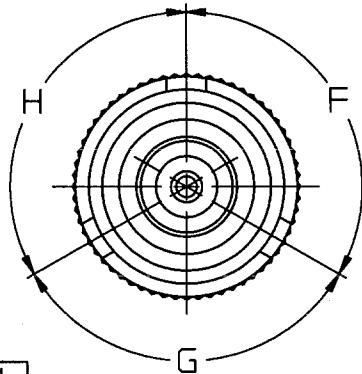
RED INDICATES ORIGINAL

DWG SIZE **B**
 DATA CONTAINED IN THIS DOCUMENT IS PROPRIETARY TO TROMPETER ELECTRONICS INC. AND SHALL NOT BE DISCLOSED, COPIED OR USED FOR PROCUREMENT OR MANUFACTURE WITHOUT EXPRESS WRITTEN PERMISSION.

REVISIONS			305-0140	SH 1	
REV	EO	DESCRIPTION	DWN	APPROVED	DATE
K	10721	ADDED COLOR BAND LOCATION; SEE ECO	DKC	<i>[Signature]</i>	7/5/24
L	56215			M.ANDERSON	5-11-16

POLARIZATION CHART

KEYING LETTER	F DEGREES	G DEGREES	H DEGREES	COLOR BAND
T	100°	150°	110°	RED
U	120°	130°	110°	ORANGE
V	115°	130°	115°	YELLOW
W	125°	110°	125°	GREEN
X	130°	100°	130°	BLUE
Y	110°	140°	110°	VIOLET
Z	100°	160°	100°	GRAY
S	135°	135°	90°	WHITE
NONE	120°	120°	120°	NONE



INCH	MM
.005	0.13
.030	0.76
.445	11.30
1.290	32.77

COLOR BAND

COLOR BAND

4. EXAMPLE OF COMPLETE MODEL NO:

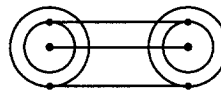
AD78 Y

BASIC MODEL NO KEY LTR

3. WITHIN SERIES CONCENTRIC TWINAX/TRIAX TRB FEEDTHRU RECEPTACLE ADAPTER

2. FINISH BODY NICKEL

1. ALL DIM ARE IN INCHES



SCHEMATIC

QTY	DESCRIPTION		PART NUMBER	ITEM		
TOL UNLESS SPECIFIED	.XX ±		TROMPETER ELECTRONICS, INC.	AD78		
	.XXX ± .005					
	.XXXX ±					
	ANGLE ±					
DWN	DKC	6-27-94	MATERIAL	CODE IDENT	DRAWING NO.	REV
CHK	<i>[Signature]</i>	5-11-16	—	14949	305-0140	L
ENGR	<i>[Signature]</i>	7/5/24	SCALE 4/1	DATE 2-5-81	SHEET 1 OF 1	
NEXT ASSY	APPR	<i>[Signature]</i>				