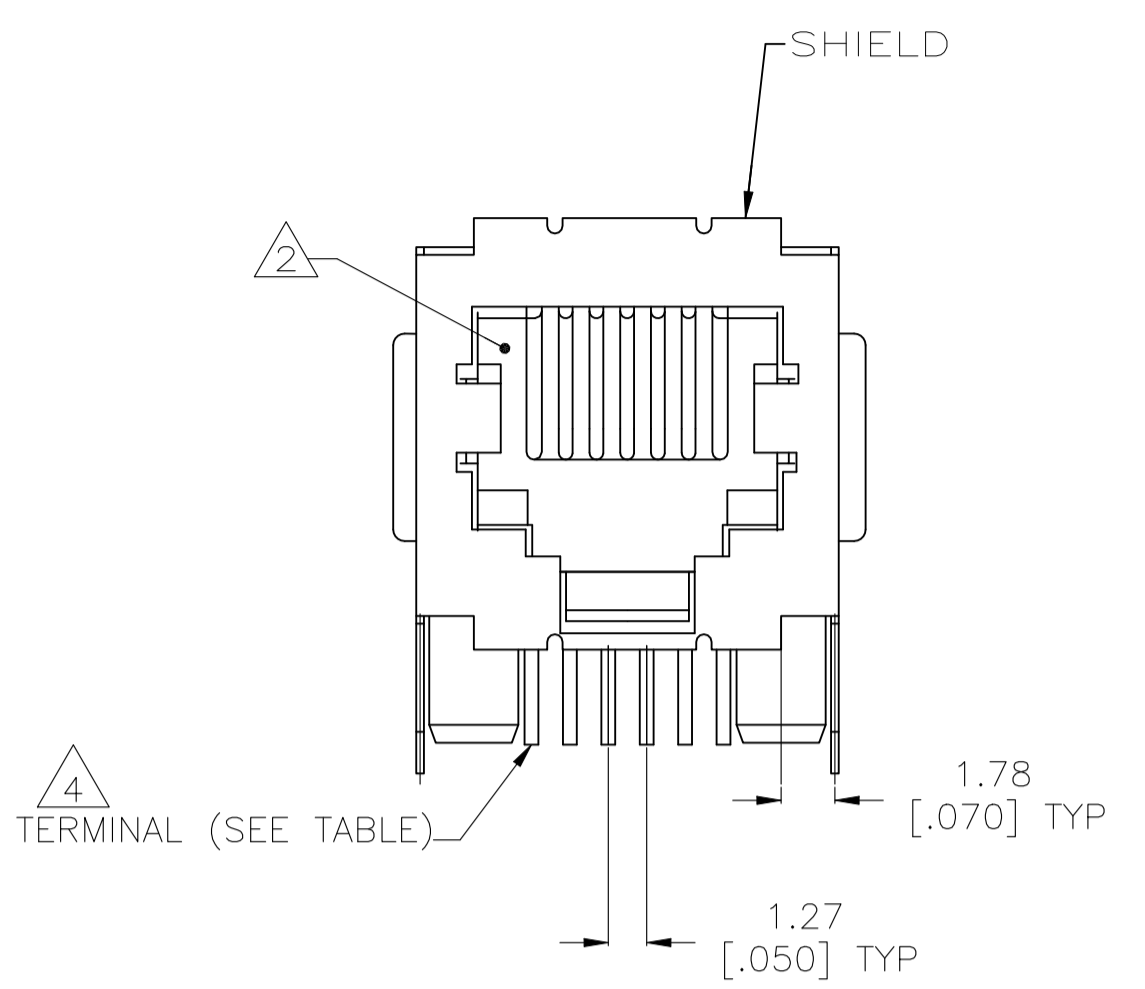
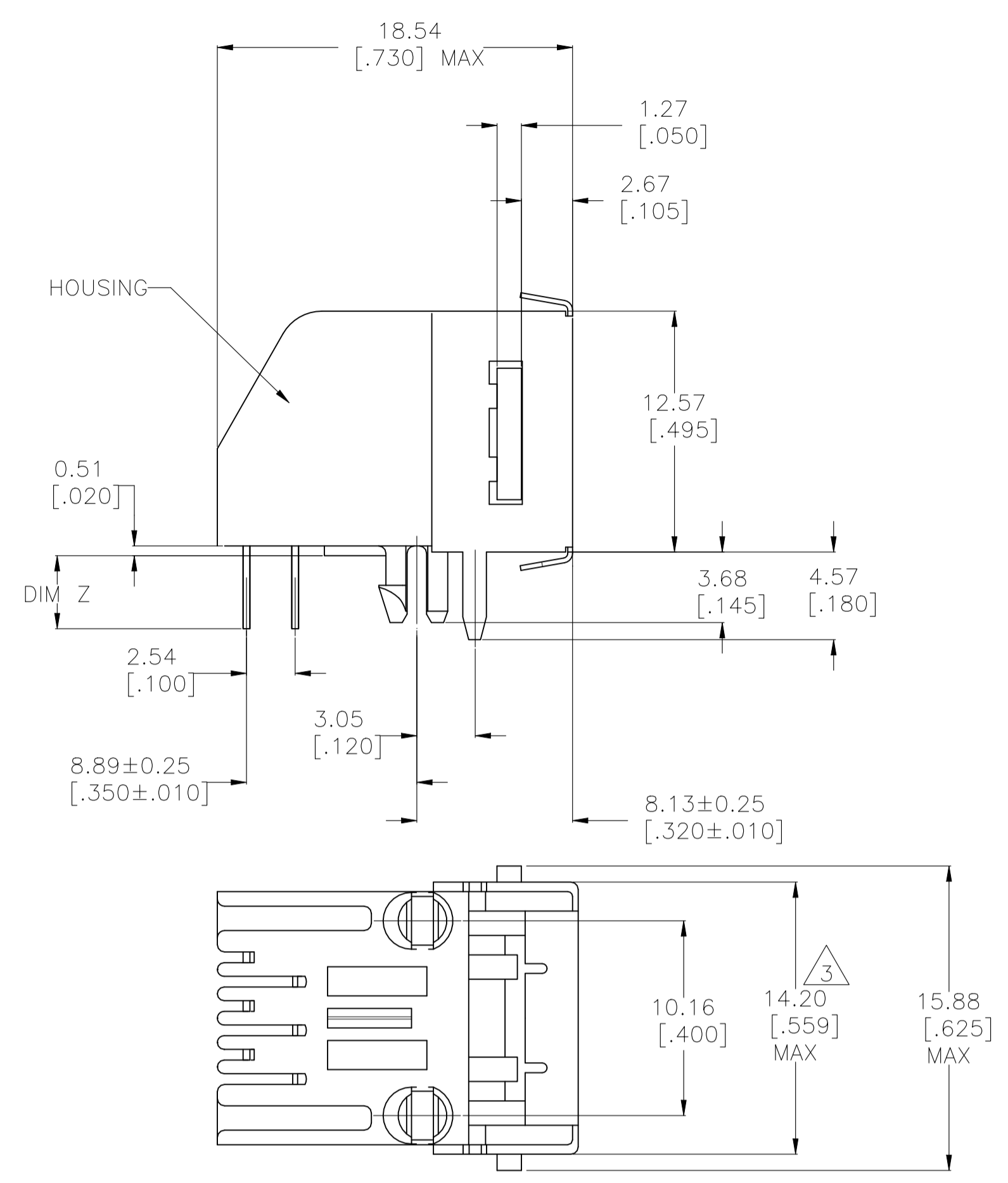
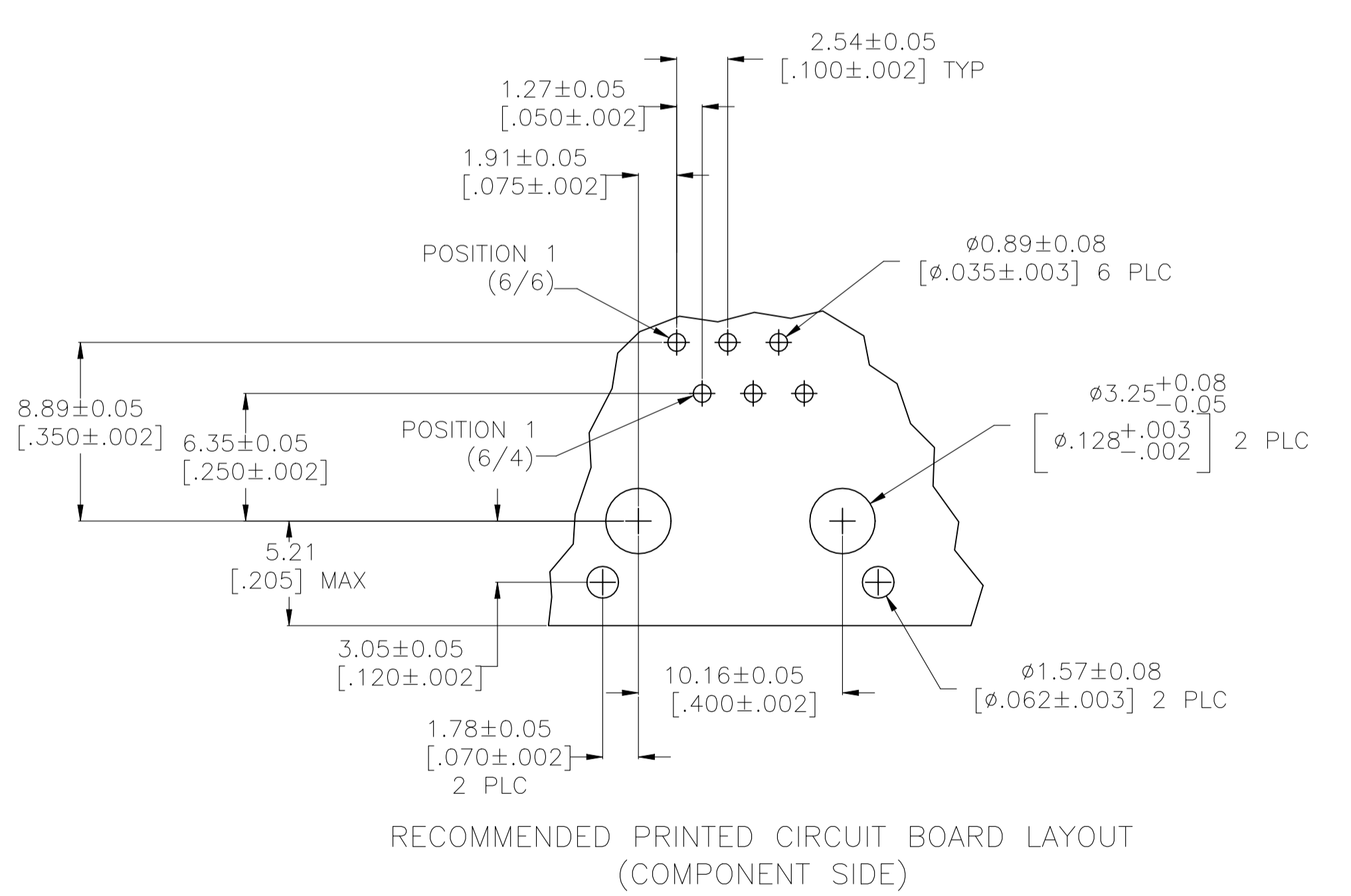


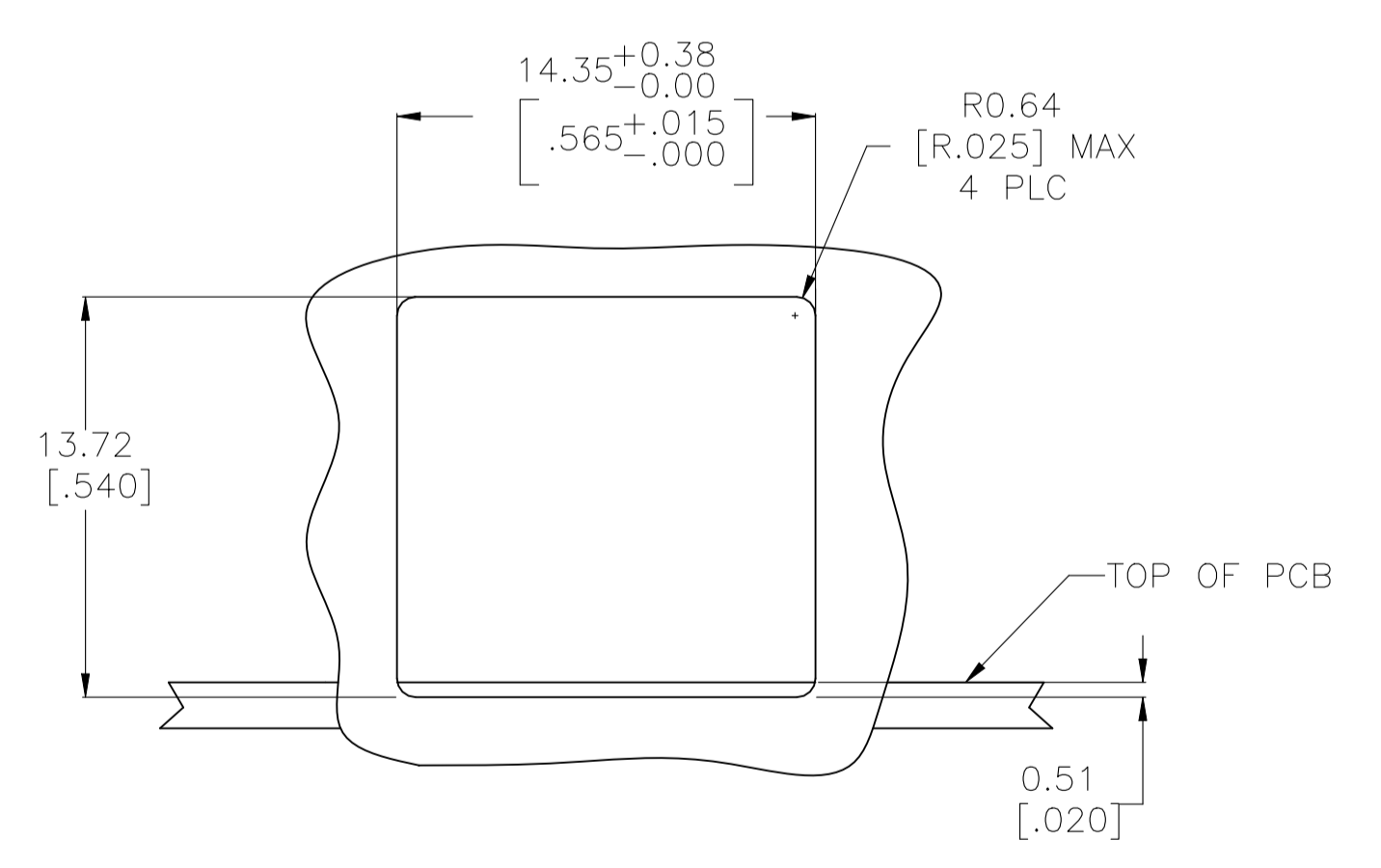
| REVISIONS | | | | | |
|-----------|---|-----------|----|-------|--|
| REV | DESCRIPTION | DATE | BY | APP'D | |
| E2 | REVISED PER ECR-22-135781 (VIEW UPDATE) | 12APR2022 | RR | SZ | |



- MATERIAL: HOUSING – PBT POLYESTER, COLOR: BLACK.
 TERMINAL – 0.36[.014] THICK PHOS-BRONZE PLATED WITH 1.27µm[.000050] MINIMUM THICK HARD GOLD IN LOCALIZED GOLD PLATE AREA AND 3.81µm[.000150] THICK MATTE TIN IN SOLDER AREA OVER 1.27µm[.000050] MINIMUM THICK NICKEL UNDERPLATE.
 SHIELD – 0.25[.010] THICK COPPER ALLOY PLATED WITH 3.0µm[.000120] MINIMUM REFLOWED TIN
- CAVITY CONFORMS TO FCC RULES AND REGULATIONS PART 68, SUBPART F.
- DIMENSIONS MEASURED ALONG FRONT EDGES OF MATING FACE
- TERMINALS FOR 5555140-2 LOCATED IN CENTER POSITIONS.



RECOMMENDED PRINTED CIRCUIT BOARD LAYOUT (COMPONENT SIDE)



RECOMMENDED PANEL CUTOUT

| TUBE | TRAY | PACKAGING | DIMENSION Z | TERMINALS REQUIRED | PART NUMBER |
|-----------------------|-----------------------|-----------|-------------|--------------------|-------------|
| 3.81±0.51 [.150±.020] | 2.54±0.25 [.100±.010] | | 6 | | 5555140-6 |
| | 3.81±0.51 [.150±.020] | | 6 | | 5555140-4 |
| | 3.81±0.51 [.150±.020] | | 4 | 4 | 5555140-2 |
| | 3.81±0.51 [.150±.020] | | 6 | | 5555140-1 |

THIS DRAWING IS A CONTROLLED DOCUMENT.

| | | | |
|----------------------------|--|--|--|
| DIMENSIONS: mm [INCHES] | TOLERANCES UNLESS OTHERWISE SPECIFIED: 0 PLC ± - 1 PLC ± - 2 PLC ± 0.13[.005] 3 PLC ± - 4 PLC ± - ANGLES ± - | DIN L.A.MAYER 08NOV2007 CHK P.RECCE 08NOV07 APP'D S.FLICKINGER 08NOV07 | NAME MODULAR JACK ASSEMBLY, SHIELDED, 6P, LOW PROFILE, R/A, PANEL GROUND,W/PANEL STOP |
| MATERIAL SEE NOTE 1 | FINISH SEE NOTE 1 | SIZE 114-2048 | RESTRICTED TO |
| | | WEIGHT 0.000000 | |
| | | CUSTOMER DRAWING | |

SCALE 4:1 SHEET 1 of 1 REV E2