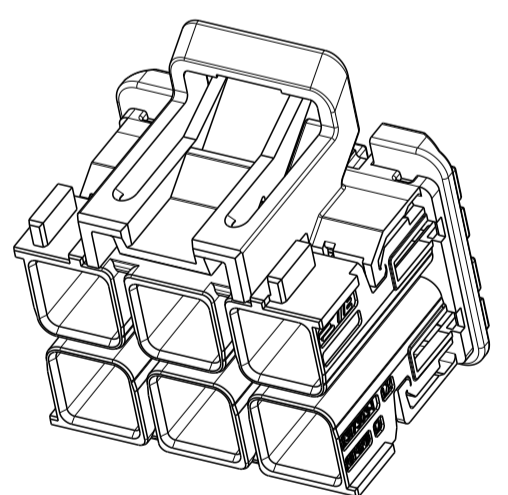
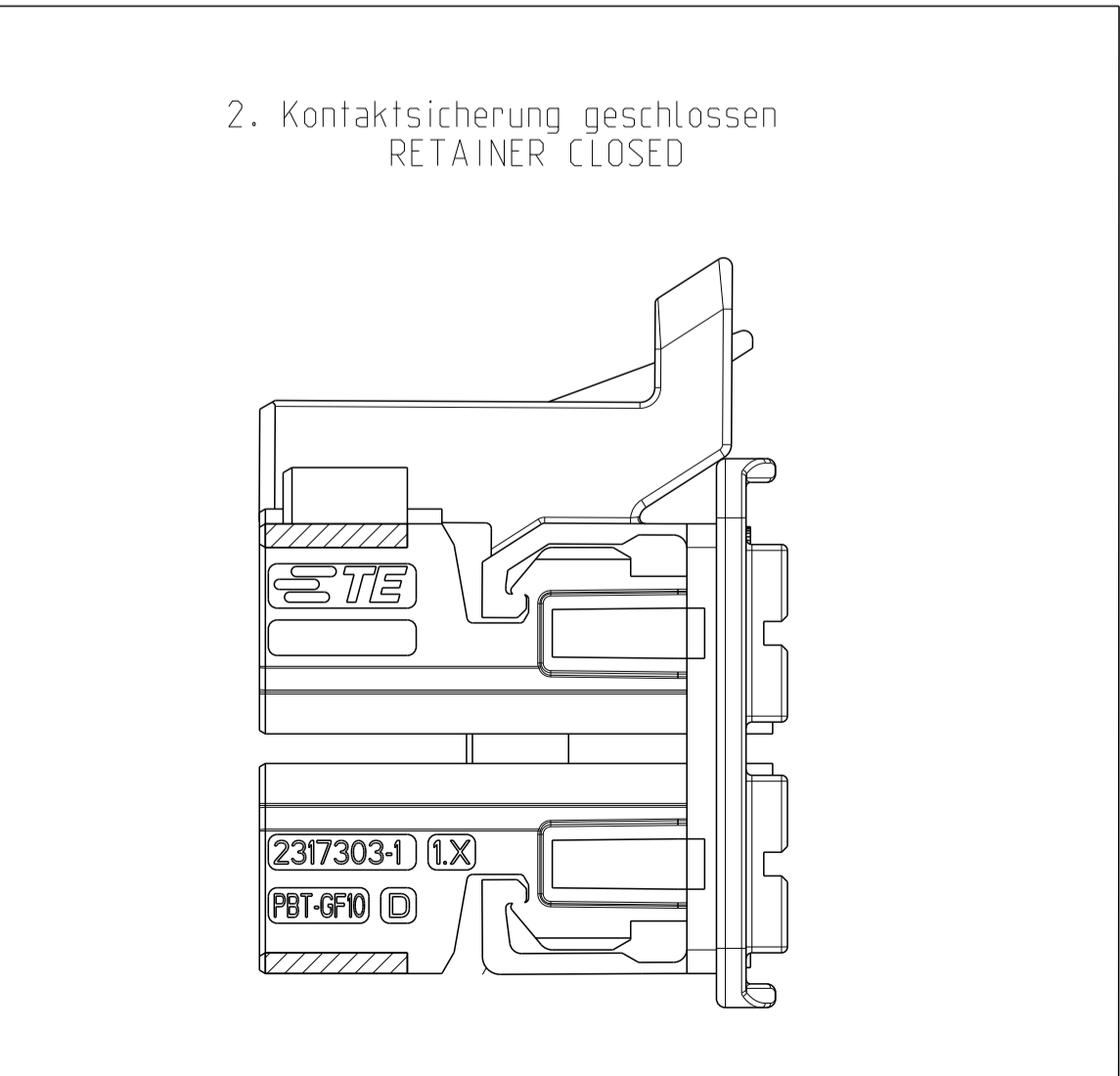
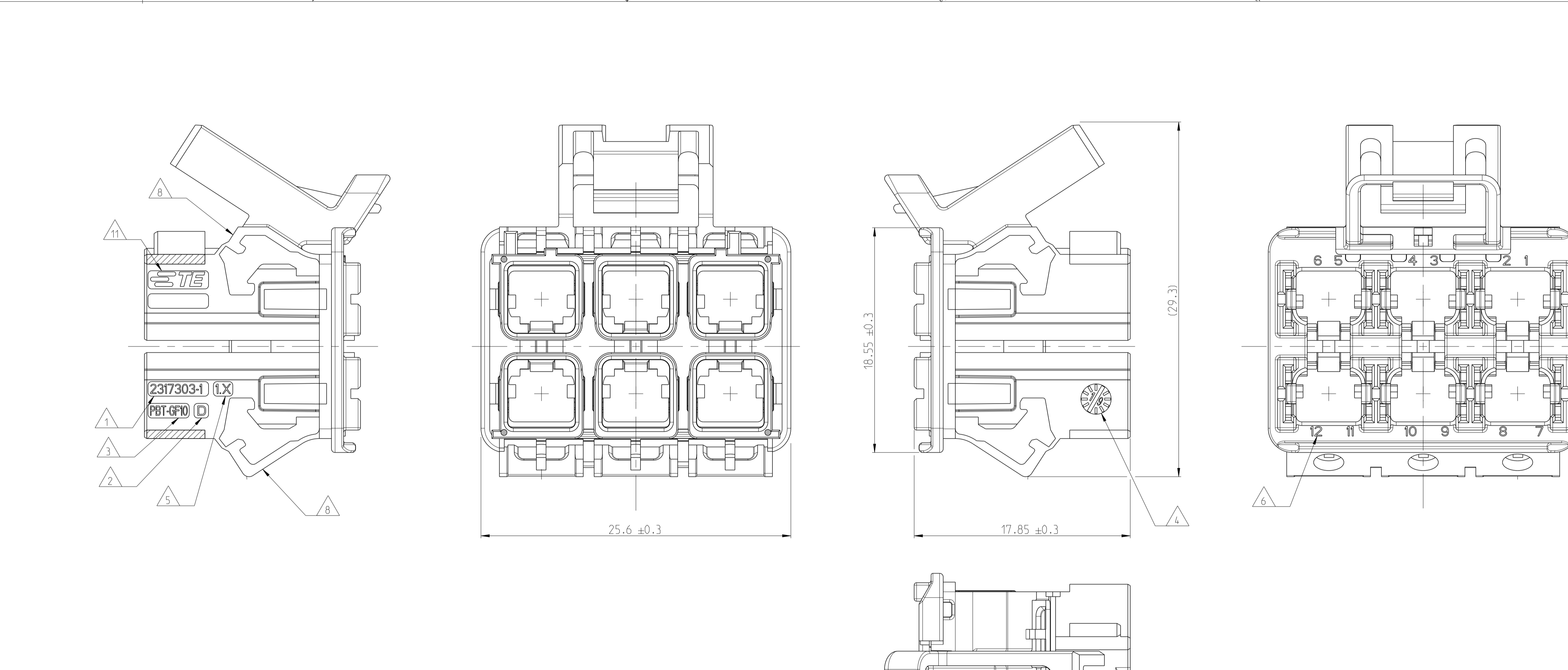


| REVISIONS |     |                      |           |     |      |
|-----------|-----|----------------------|-----------|-----|------|
| P.        | LTN | DESCRIPTION          | DATE      | DWN | APVD |
| C         |     | AS PER ECR-19-007252 | 13MAY2019 | CHS | JB   |
| D         |     | AS PER ECR-19-014752 | 13MAY2019 | CHS | JB   |
| D1        |     | AS PER ECR-20-000013 | 02JAN2020 | MS  | JB   |
| D2        |     | AS PER ECR-20-000978 | 20JAN2020 | HPS | JB   |

- NOTES  
Bemerkungen
- 1 TE SINGLE PART NUMBER  
TE Einzelteilnummer
  - 2 REVISION OF THE MOLD  
Werkzeugänderungsindex
  - 3 MATERIAL MARKING ACCORDING TO VDA 260  
Materialkennzeichnung nach VDA 260
  - 4 PRODUCTION DATE  
Produktionsdatum
  - 5 MOLD CAVITY MARKING  
Nestmarkierung
  - 6 CONTACT CAVITY NUMBERING  
Kammernummerierung
  - 7 INTERFACE ACCORDING TO TE-SPECIFICATION 208-18037, REV.: 2  
Schnittstelle gemäß TE-Spezifikation 208-18037, Rev.: 2
  - 8 DELIVERY CONDITION IN OPEN POSITION  
Lieferzustand im geöffneten Zustand
  - 9 REGRIND 0% ACCORDING TO CUSTOMER REQUIREMENT  
Regrind 0% gemäß Kundenanforderung
  - 10 PACKAGING: LOOSE PIECES IN BAG IN BOX  
Verpackung: Schüttgut im Beutel im Karton
  - 11 TE-LOGO ACC. TE-SPEC. TEC-202-36, VERSION 1621426-5, 0.15 RAISED  
TE-Logo nach TE-Spez. TEC-202-36, Ausführung 1621426-5, 0.15 erhaben



2317303-1  
AS SHOWN  
SCALE 2:1

|                                |           |            |              |          |                 |                             |                                |   |
|--------------------------------|-----------|------------|--------------|----------|-----------------|-----------------------------|--------------------------------|---|
| NOT TOOLED                     | 2317303-9 | D          |              | 1        |                 | Water-Blue                  | MATenet 2x3-Port Frame, CODE Z | 5 |
| NOT TOOLED                     | 2317303-7 | D          |              | 1        | PBT-GF10        | Beige                       | MATenet 2x3-Port Frame, CODE J | 4 |
| NOT TOOLED                     | 2317303-3 | D          |              | 1        |                 | Blue                        | MATenet 2x3-Port Frame, CODE C | 3 |
| NOT TOOLED                     | 2317303-2 | D          |              | 1        |                 | White                       | MATenet 2x3-Port Frame, CODE B | 2 |
|                                | 2317303-1 | D          | 3.3          | 1        | PBT-GF10        | Black                       | MATenet 2x3-Port Frame, CODE A | 1 |
| TE ORDER-NO.<br>TE Bestell-Nr. | REV.      | WEIGHT [g] | QTY<br>Stück | MATERIAL | COLOUR<br>Farbe | DESCRIPTION<br>Beschreibung | ITEM                           |   |

DIMENSION AND TOLERANCES ACCORDING TO:  
Bemaßungen und Toleranzen gemäß:  
DIN EN ISO 8015 (A0) - DIN EN ISO 291  
DIN EN ISO 14405

THIS DRAWING IS A CONTROLLED DOCUMENT.

|                   |  |                       |                     |
|-------------------|--|-----------------------|---------------------|
| DIMENSIONS:<br>mm | TOLERANCES UNLESS OTHERWISE SPECIFIED:<br>0 PLC ±0.3<br>1 PLC ±0.3<br>2 PLC ±0.1<br>3 PLC ±0.1<br>4 PLC ±0.1<br>ANGLES ±1° | MATERIAL<br>SEE TABLE | FINISH<br>SEE TABLE |
|-------------------|--|-----------------------|---------------------|

TE Connectivity

2x3 PORT MATenet FRAME  
MATenet 2x3 PORT FRAME

SIZE: A1 CAGE CODE: 00779 DRAWING NO: 2317303  
SHEET 1 OF 1 REV: 02