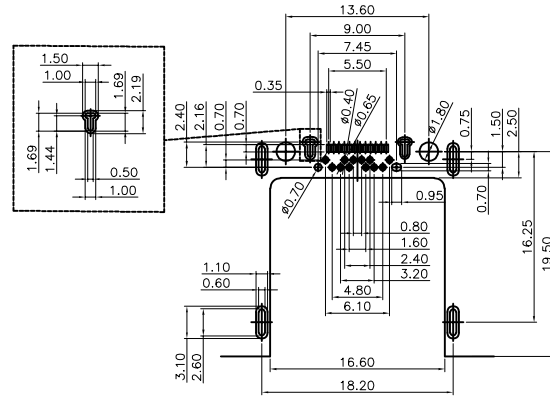
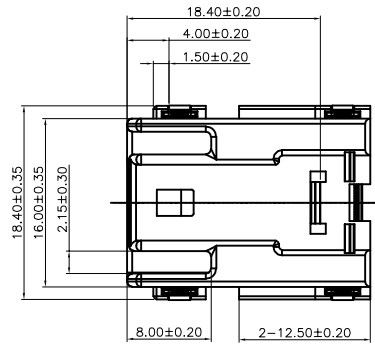


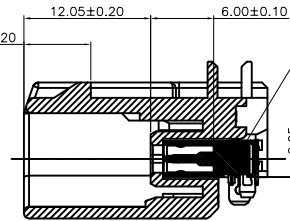
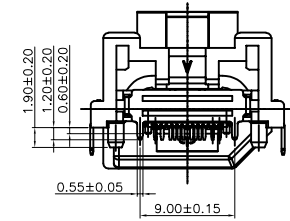
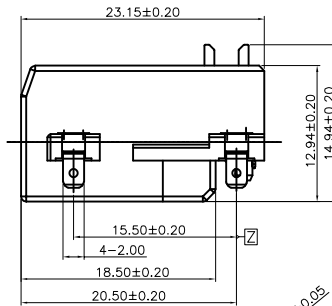
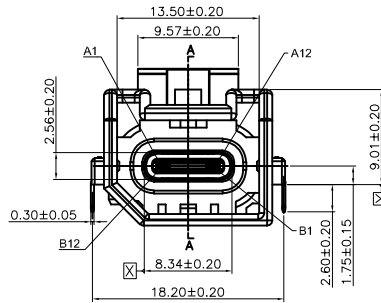
APPROVED: \_\_\_\_\_

DATE: \_\_\_\_\_ TITLE: \_\_\_\_\_

Rev	AWO #	Description	Date	Appr
-		RELEASED	4/27/23	
A		UPDATE DRAWING	9/25/23	WX/KC
B		UPDATE DRAWING	3/15/24	LH/KC
C		UPDATE DRAWING	3/14/25	WY/RC



RECOMMENDED PCB LAYOUT



SECTION A-A

The internal USB model of this part is:  
USB-C40-S-RA-CS5-BK-T/R

**SPECIFICATIONS:**

Material:  
Insulator: Hi-Temp Thermoplastic, rated UL 94V-0, Color: Black  
Contacts: Copper Alloy  
Shell: Stainless Steel, Nickel plated  
Plating:

Gold Flash over Nickel underplate on contact area,  
Tin over Nickel underplate on solder tails

**Electrical:**

Voltage rating: 48V  
Current rating: 5A for VBUS Pin  
1.25A for VCONN Pin

Contact resistance: 40 mohms max  
Insulation resistance: 100 Mohms min  
Dielectric withstanding voltage: 100V AC R.M.S

**Mechanical:**

Mating force: 45N max  
Unmated force: 75N max  
Durability: 20 Cycles (latch)  
Temperature Rating:  
Operating temperature: -40°C to +85°C

Environmental:  
Lead free, RoHS compliant.



Hosing Code See Page 2

PACKAGED ON TAPE & REEL

UNLESS OTHERWISE SPECIFIED ALL DIMENSIONS ARE MILLIMETERS. TOLERANCES: EXCEPT AS NOTED		
	MM	ANGLE
X	± .50	± 2°
.X	± .30	
.XX	± .20	
.XXX	± .10	
DRAWN	JJ	4/27/23
CHECKED	CK	4/27/23
APPROVED		
THIS DRAWING CONTAINS INFORMATION THAT IS PROPRIETARY AND SHOULD NOT BE USED WITHOUT PRIOR WRITTEN PERMISSION FROM ADAM TECH		

	909 Rahway Avenue, Union, NJ 07083 Phone: 908-687-5000 Fax: 908-687-5710	
	TITLE (HSecurLinC) UNIVERSAL SERIAL BUS, TYPE C 4, FEMALE, RIGHT ANGLE, EDGE HANG, W/BRIDGE TRANSMISSION EFFICIENCY: 40G	
SIZE X	PART NO. USB-C40-S-RA-CS5A-X-EH-BK	REV. C
REF: S00197C	SCALE: NTS	SHEET 1 OF 3

APPROVED: \_\_\_\_\_

DATE: \_\_\_\_\_ TITLE: \_\_\_\_\_

Rev	AWO #	Description	Date	Appr
SEE SHT 1 OF 3 FOR REVISION				

USB-C40-S-RA-CS5A-X-EH-BK

Housing Code Options

CODE	RECEPTACLE	CASE COLOR	CODE	RECEPTACLE	CASE COLOR
A		JET BLACK	B		CLARET VIOLET
C		NUT BROWN	D		LEAF GREEN
E		SIGNAL BLUE	F		CREAM WHITE
G		BLUE GRAY	H		YELLOW GREEN
J		BEIGE	K		CURRY

Pin	Signal Name	Mating Sequence	Pin	Signal Name	Mating Sequence
A1	GND	First	B12	GND	First
A2	SSTXp1	Second	B11	SSRXp1	Second
A3	SSTXn1	Second	B10	SSRXn1	Second
A4	V <sub>BUS</sub>	First	B9	V <sub>BUS</sub>	First
A5	CC1	Second	B8	SBU2	Second
A6	Dp1	Second	B7	Dn2	Second
A7	Dn1	Second	B6	Dp2	Second
A8	SBU1	Second	B5	CC2	Second
A9	V <sub>BUS</sub>	First	B4	V <sub>BUS</sub>	First
A10	SSRXn2	Second	B3	SSTXn2	Second
A11	SSRXp2	Second	B2	SSTXp2	Second
A12	GND	First	B1	GND	First
SHELL		GND	SHELL		GND

UNLESS OTHERWISE SPECIFIED ALL DIMENSIONS ARE MILLIMETERS. TOLERANCES: EXCEPT AS NOTED

	MM	ANGLE
X.	± .50	± 2°
.X	± .30	
.XX	± .20	
.XXX	± .10	

DRAWN	JJ	4/27/23
CHECKED	CK	4/27/23
APPROVED		

THIS DRAWING CONTAINS INFORMATION THAT IS PROPRIETARY AND SHOULD NOT BE USED WITHOUT PRIOR WRITTEN PERMISSION FROM ADAM TECH

**ADAM  
TECH**

909 Rahway Avenue,  
Union, NJ 07083  
Phone: 908-687-5000  
Fax: 908-687-5710

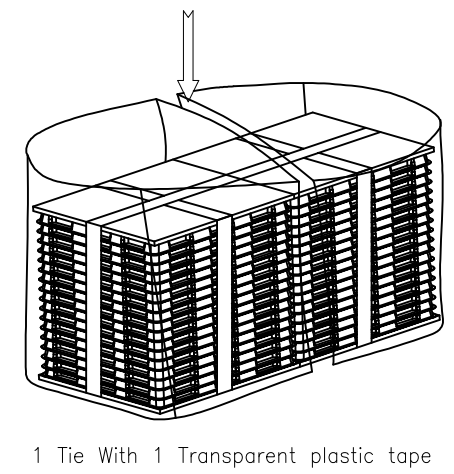
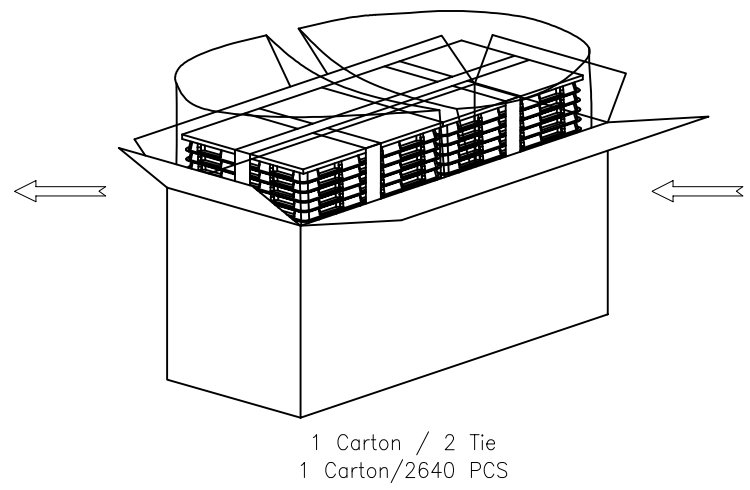
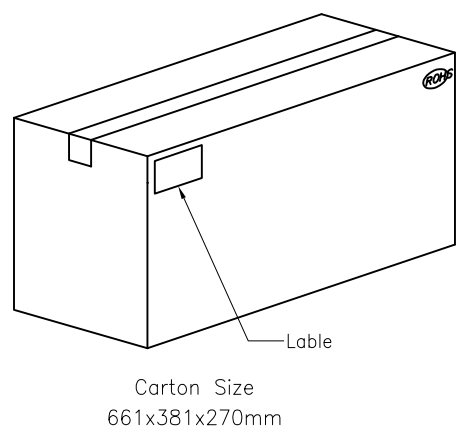
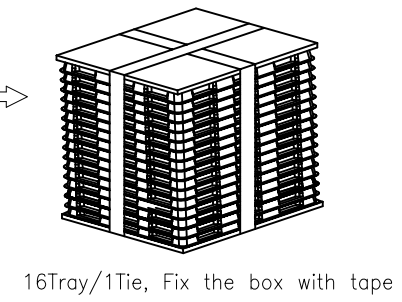
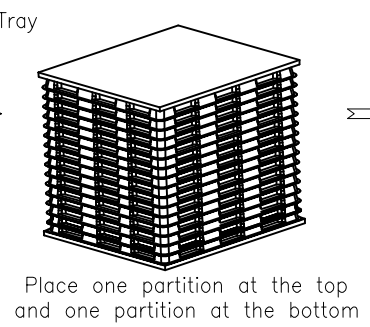
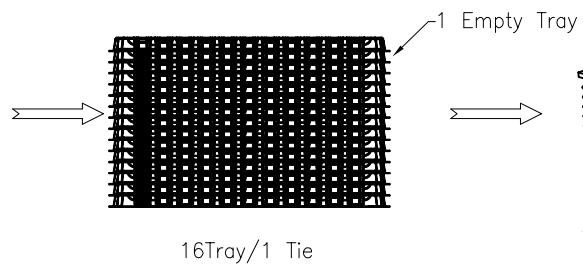
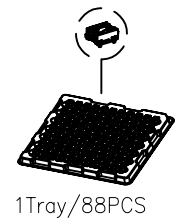
TITLE (HSecurLinC) UNIVERSAL SERIAL BUS, TYPE C 4, FEMALE, RIGHT ANGLE, EDGE HANG, W/BRIDGE TRANSMISSION EFFICIENCY: 40G

SIZE	PART NO.	REV.
X	USB-C40-S-RA-CS5A-X-EH-BK	C
REF:	S00197C	SCALE: NTS
		SHEET 2 OF 3

APPROVED: \_\_\_\_\_

DATE: \_\_\_\_\_ TITLE: \_\_\_\_\_

Rev	AWO #	Description	Date	Appr
SEE SHT 1 OF 3 FOR REVISION				



UNLESS OTHERWISE SPECIFIED ALL DIMENSIONS ARE MILLIMETERS. TOLERANCES: EXCEPT AS NOTED

	MM	ANGLE
X.	± .50	± 2'
.X	± .30	
.XX	± .20	
.XXX	± .10	

DRAWN	JJ	4/27/23
CHECKED	CK	4/27/23
APPROVED		

THIS DRAWING CONTAINS INFORMATION THAT IS PROPRIETARY AND SHOULD NOT BE USED WITHOUT PRIOR WRITTEN PERMISSION FROM ADAM TECH

**ADAM TECH**

909 Rahway Avenue,  
Union, NJ 07083  
Phone: 908-687-5000  
Fax: 908-687-5710

TITLE (HSecurLinC) UNIVERSAL SERIAL BUS, TYPE C 4, FEMALE, RIGHT ANGLE, EDGE HANG, W/BRIDGE TRANSMISSION EFFICIENCY: 40G

SIZE X	PART NO. USB-C40-S-RA-CS5A-X-EH-BK	REV. C
REF: S00197C	SCALE: NTS	SHEET 3 OF 3