

Switches Rotary Switches

8-positions Low-profile Vertical Type SRBV Series

Contributes to set design flexibility with a body height of 7.5mm and thin-profile design.



- Rating (max.)/(min.) (Resistive load): 0.3A 16V DC/50 μ A 3V DC
- Contact resistance (Initial performance/After lifetime):
50m Ω max./150m Ω max.
- Operating life without load: 10,000 cycles 100m Ω max.
- Operating life with load (at max. rated load): 10,000 cycles 150m Ω max.

Applications: Home: Major home appliances

Product List

Products No.	Poles	Positions	Changeover angle	Changeover timing	Rotational torque	Actuator configuration	Actuator length	Dimensions (WxDxH) (mm)	Automotive	Drawing No.
SRBV131803	1	3	30 \pm 3°	Non shorting	30 \pm 15mN·m	Flat	L: 15mm	16.2 \times 18.5 \times 7.5	—	1
SRBV131502	1	3	30 \pm 3°	Non shorting	30 \pm 15mN·m	Flat	L: 20mm	16.2 \times 18.5 \times 7.5	—	2
SRBV141404	1	4	30 \pm 3°	Non shorting	30 \pm 15mN·m	Flat	L: 15mm	16.2 \times 18.5 \times 7.5	—	3
SRBV141201	1	4	30 \pm 3°	Non shorting	30 \pm 15mN·m	Flat	L: 20mm	16.2 \times 18.5 \times 7.5	—	4
SRBV151102	1	5	30 \pm 3°	Non shorting	30 \pm 15mN·m	Flat	L: 15mm	16.2 \times 18.5 \times 7.5	—	5
SRBV150901	1	5	30 \pm 3°	Non shorting	30 \pm 15mN·m	Flat	L: 20mm	16.2 \times 18.5 \times 7.5	—	6
SRBV160803	1	6	30 \pm 3°	Non shorting	30 \pm 15mN·m	Flat	L: 15mm	16.2 \times 18.5 \times 7.5	—	7
SRBV170701	1	7	30 \pm 3°	Non shorting	30 \pm 15mN·m	Flat	L: 15mm	16.2 \times 18.5 \times 7.5	—	8
SRBV170501	1	7	30 \pm 3°	Non shorting	30 \pm 15mN·m	Flat	L: 20mm	16.2 \times 18.5 \times 7.5	—	9
SRBV181004	1	8	30 \pm 3°	Non shorting	30 \pm 15mN·m	Flat	L: 15mm	16.2 \times 18.5 \times 7.5	—	10

Note

1. This catalog shows only outline specifications. When using the products, please obtain formal specifications for supply.
2. Please place purchase orders per minimum order unit (integer).

Packing Specifications

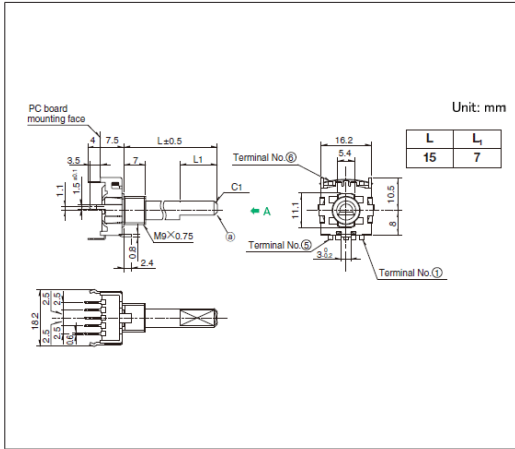
Tray

Number of packages(pcs.)		Export package measurements (mm)
1 case / Japan	1 case / export packing	
165	330	400 x 270 x 185

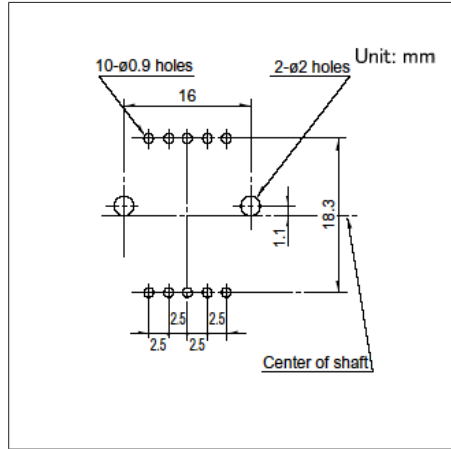
8-positions Low-profile Vertical Type
SRBV Series

Drawing No.1

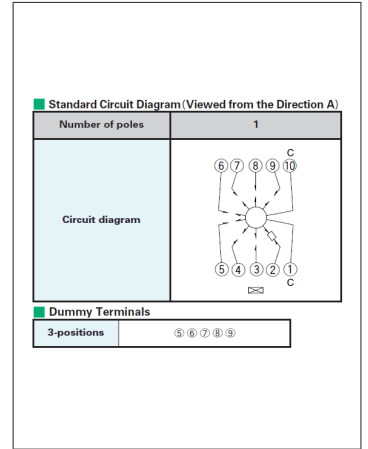
■ Dimensions



■ Mounting Hole Dimensions



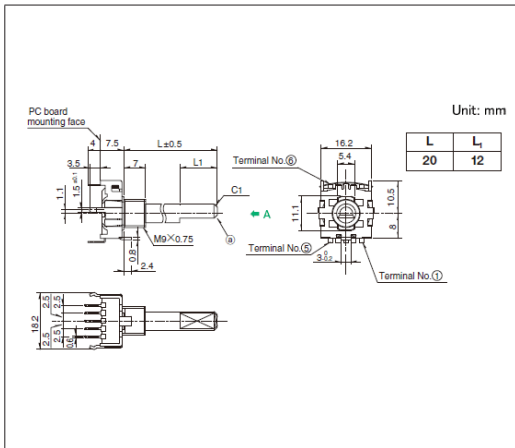
■ Circuit Diagram and Dummy Terminals



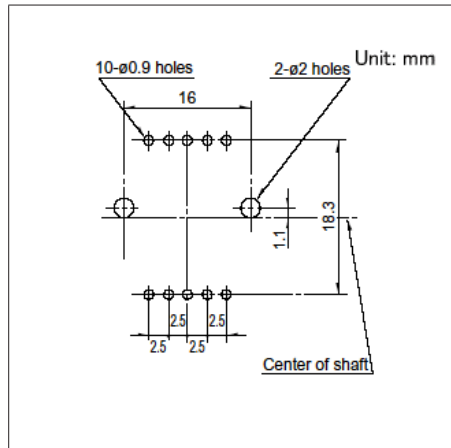
Viewed from direction A in the dimensions.

Drawing No.2

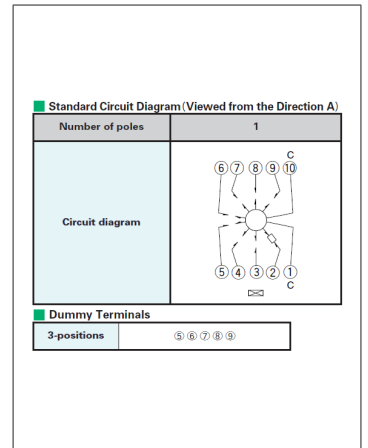
■ Dimensions



■ Mounting Hole Dimensions



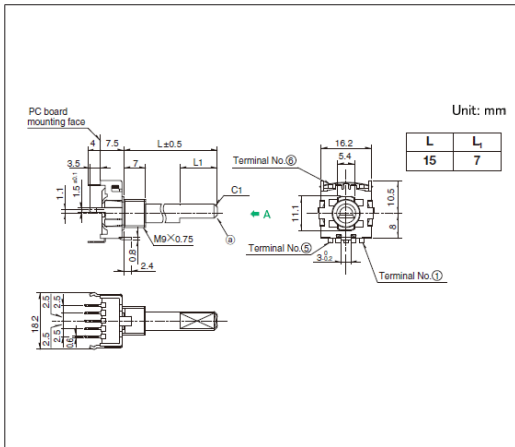
■ Circuit Diagram and Dummy Terminals



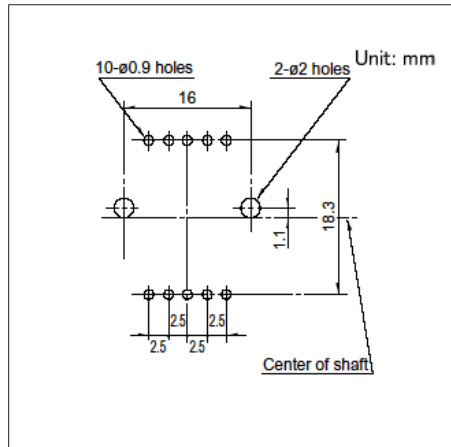
Viewed from direction A in the dimensions.

Drawing No.3

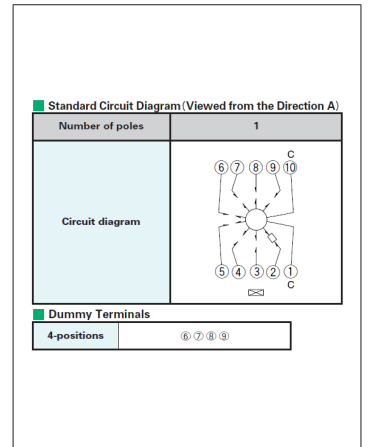
■ Dimensions



■ Mounting Hole Dimensions



■ Circuit Diagram and Dummy Terminals

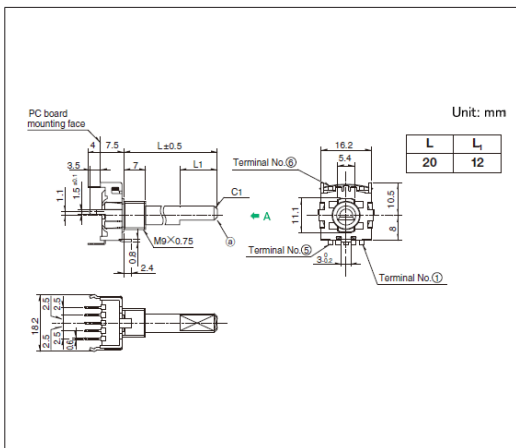


Viewed from direction A in the dimensions.

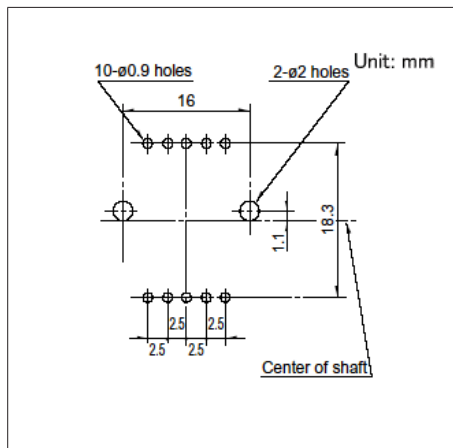
8-positions Low-profile Vertical Type
SRBV Series

Drawing No.4

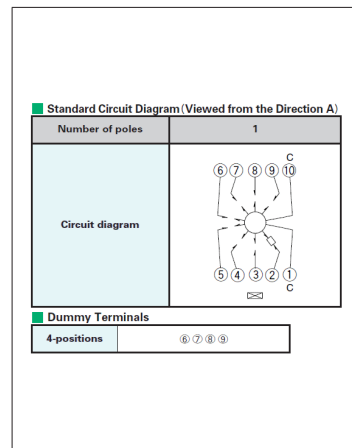
■ Dimensions



■ Mounting Hole Dimensions



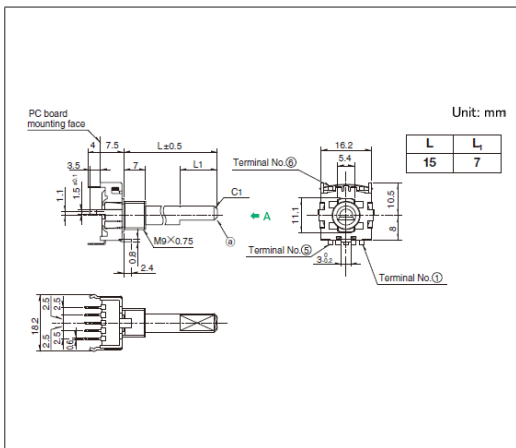
■ Circuit Diagram and Dummy Terminals



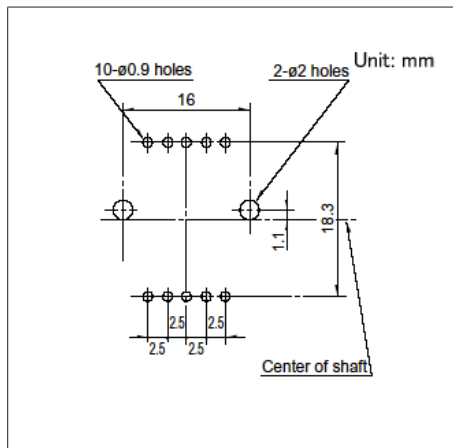
Viewed from direction A in the dimensions.

Drawing No.5

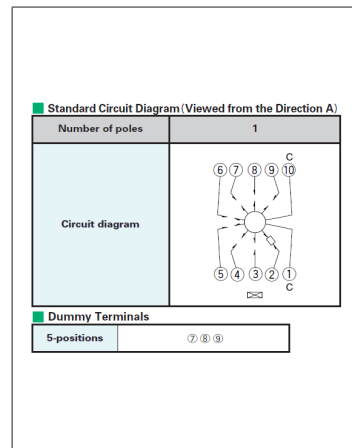
■ Dimensions



■ Mounting Hole Dimensions



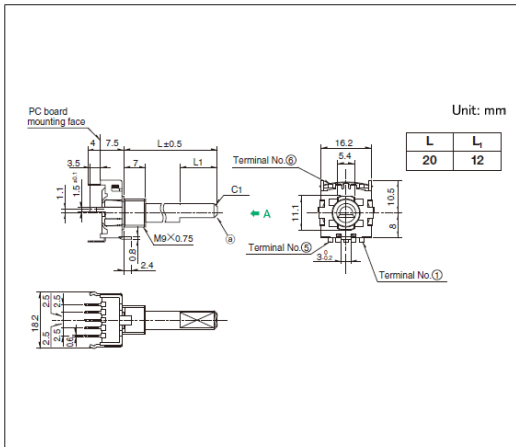
■ Circuit Diagram and Dummy Terminals



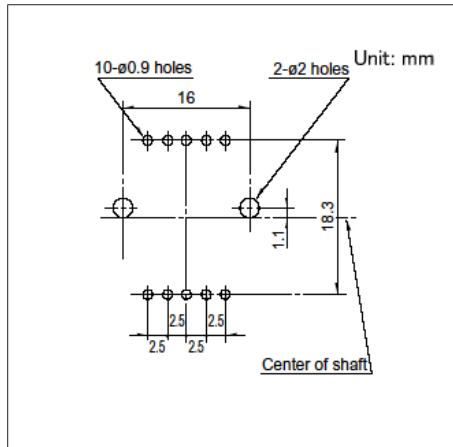
Viewed from direction A in the dimensions.

Drawing No.6

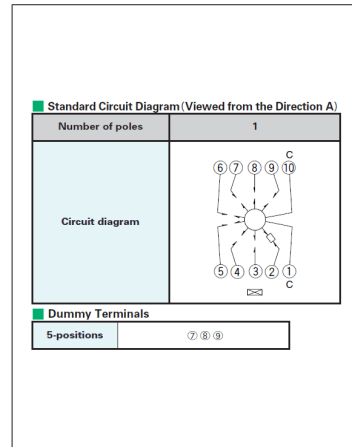
■ Dimensions



■ Mounting Hole Dimensions



■ Circuit Diagram and Dummy Terminals

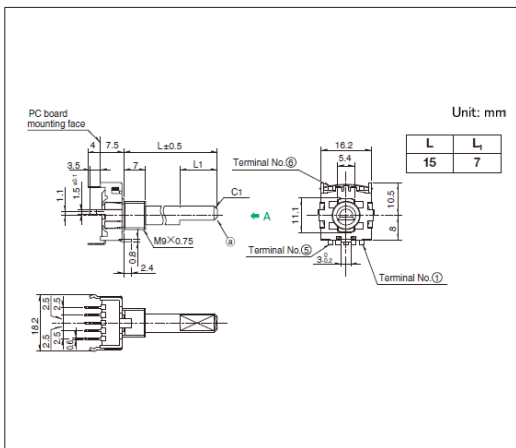


Viewed from direction A in the dimensions.

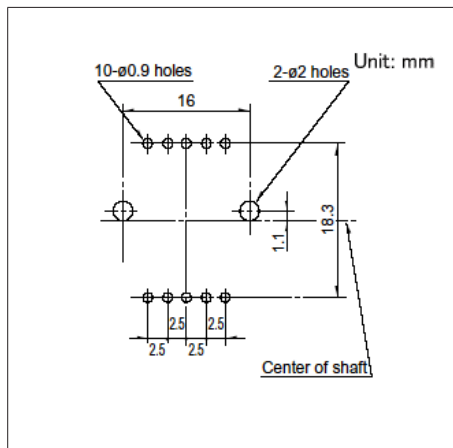
8-positions Low-profile Vertical Type
SRBV Series

Drawing No.7

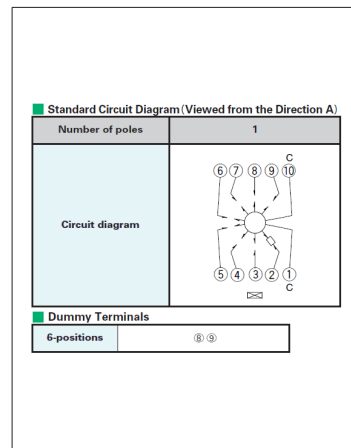
■ Dimensions



■ Mounting Hole Dimensions



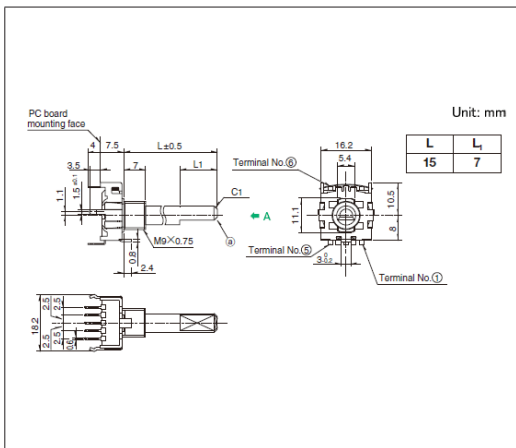
■ Circuit Diagram and Dummy Terminals



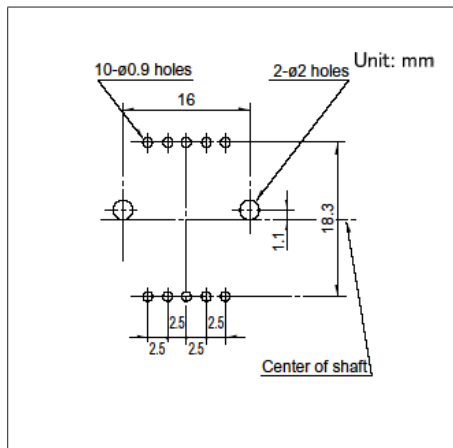
Viewed from direction A in the dimensions.

Drawing No.8

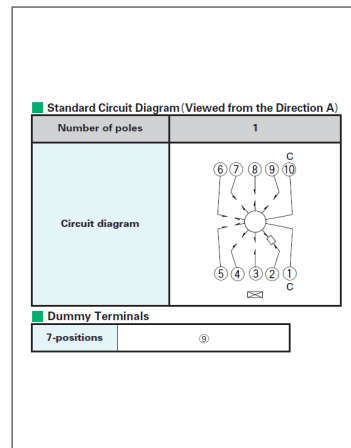
■ Dimensions



■ Mounting Hole Dimensions



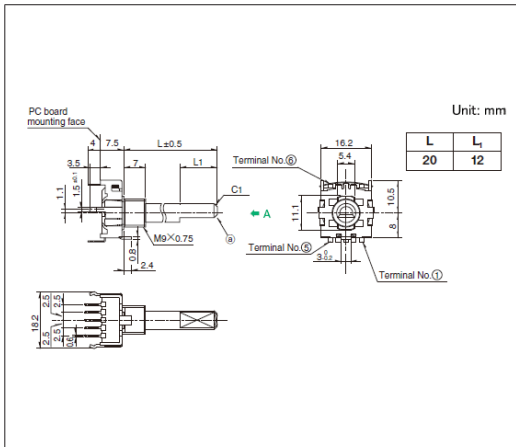
■ Circuit Diagram and Dummy Terminals



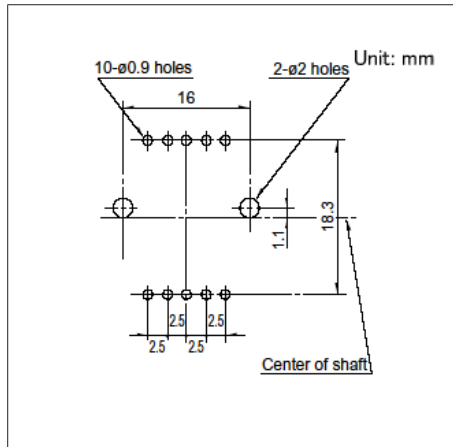
Viewed from direction A in the dimensions.

Drawing No.9

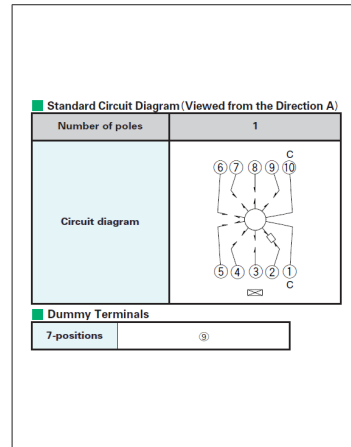
■ Dimensions



■ Mounting Hole Dimensions



■ Circuit Diagram and Dummy Terminals

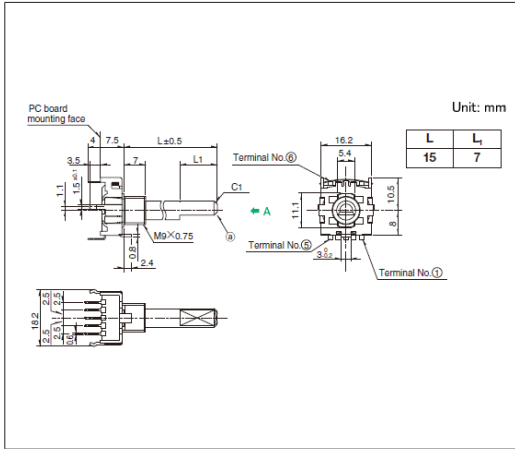


Viewed from direction A in the dimensions.

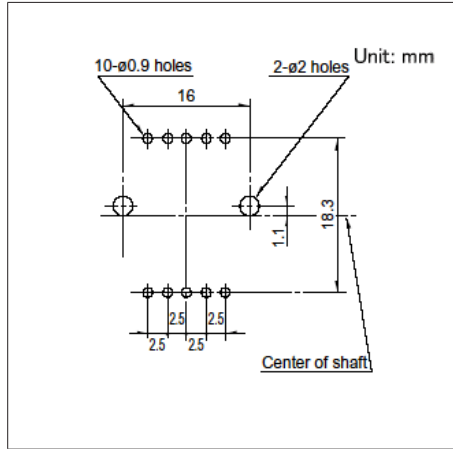
8-positions Low-profile Vertical Type
SRBV Series

Drawing No.10

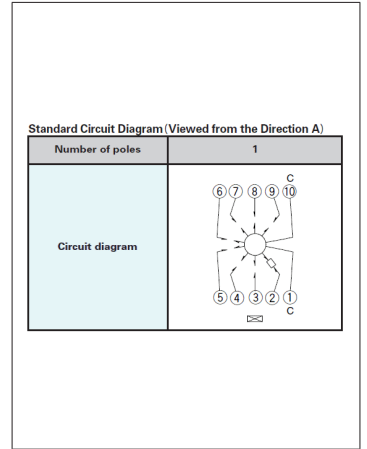
■ Dimensions



■ Mounting Hole Dimensions



■ Circuit Diagram



Viewed from direction A in the dimensions.