

# FOPT 2,2-R - FO PCB terminal block



1907924

<https://www.phoenixcontact.com/us/products/1907924>

Please be informed that the data shown in this PDF document is generated from our online catalog. Please find the complete data in the user documentation. Our general terms of use for downloads are valid.



PCB terminal block, nominal cross section: 0 mm<sup>2</sup>, number of potentials: 1, number of rows: 1, number of positions per row: 1, product range: FOPT, pitch: 10.16 mm, connection method: Push-in spring connection, mounting: Wave soldering, conductor/PCB connection direction: 0 °, color: black, Pin layout: Linear pinning, Solder pin [P]: 6 mm, number of solder pins per potential: 4, type of packaging: packed in cardboard. Black, shielded housing with receive diode/fiber optics that can be connected: polymer fiber (according to IEC 60793-2 type A4a, diameter of outer sheath: 2.2 mm)/data rate: 5 Mbps/transmission distance: max. 50 m/detailed data sheet in download area

## Your advantages

- Connection of fiber optics without fiber pretreatment
- Time saving push-in connection, tools not required
- Defined contact force ensures that contact remains stable over the long term
- Intuitive operation due to color-coded actuating push button

## Commercial data

Item number	1907924
Packing unit	10 pc
Minimum order quantity	10 pc
Sales key	AA13
Product key	AAMSAA
Catalog page	Page 436 (C-1-2013)
GTIN	4017918606572
Weight per piece (including packing)	3.68 g
Weight per piece (excluding packing)	3.6 g
Customs tariff number	85369010
Country of origin	PL

# FOPT 2,2-R - FO PCB terminal block



1907924

<https://www.phoenixcontact.com/us/products/1907924>

## Technical data

### Product properties

Product type	Printed circuit board terminal
Product family	FOPT
Product line	COMBICON Terminals M
Type	FO printed circuit terminal block with receive diode
Number of positions	1
Pitch	10.16 mm
Number of connections	1
Number of rows	1
Number of potentials	1
Pin layout	Linear pinning
Solder pins per potential	4

### Data management status

Article revision	05
------------------	----

### Connection data

#### Conductor connection

Connection method	Push-in spring connection
-------------------	---------------------------

### Mounting

Mounting type	Wave soldering
Pin layout	Linear pinning

### Material specifications

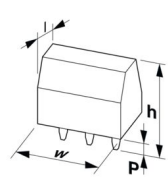
#### Material data - contact

Note	WEEE/RoHS-compliant, free of whiskers according to IEC 60068-2-82/JEDEC JESD 201
Contact material	Cu alloy

#### Material data - housing

Color (Housing)	black (9005)
-----------------	--------------

### Dimensions

Dimensional drawing	
Pitch	10.16 mm
Width [w]	10.97 mm

# FOPT 2,2-R - FO PCB terminal block



1907924

<https://www.phoenixcontact.com/us/products/1907924>

Height [h]	16.6 mm
Length [l]	29.2 mm
Installed height	10.6 mm
Solder pin length [P]	6 mm

## PCB design

Hole diameter	0.7 mm
---------------	--------

## Environmental and real-life conditions

### Ambient conditions

Ambient temperature (operation)	0 °C ... 70 °C
Ambient temperature (storage/transport)	-25 °C ... 85 °C
Relative humidity (storage/transport)	30 % ... 70 %

## Packaging specifications

Type of packaging	packed in cardboard
-------------------	---------------------

# FOPT 2,2-R - FO PCB terminal block

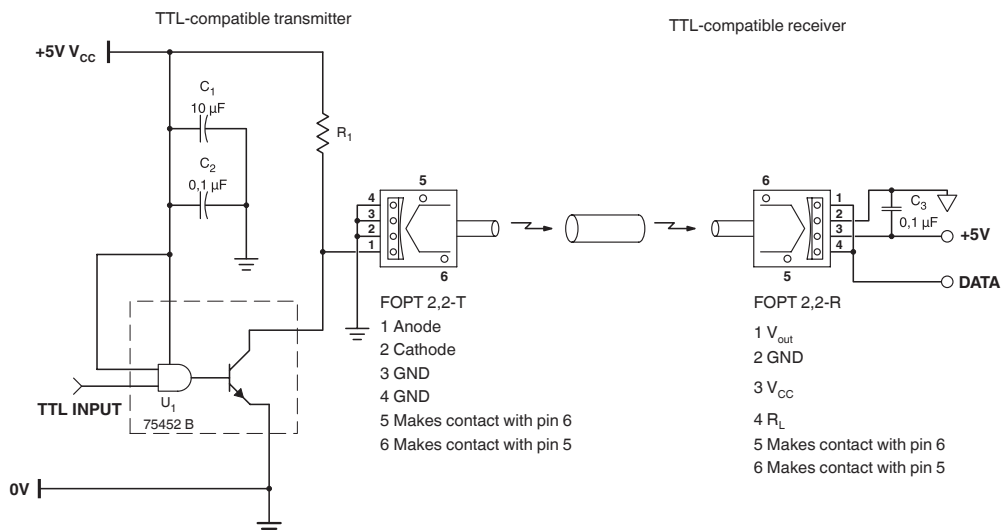


1907924

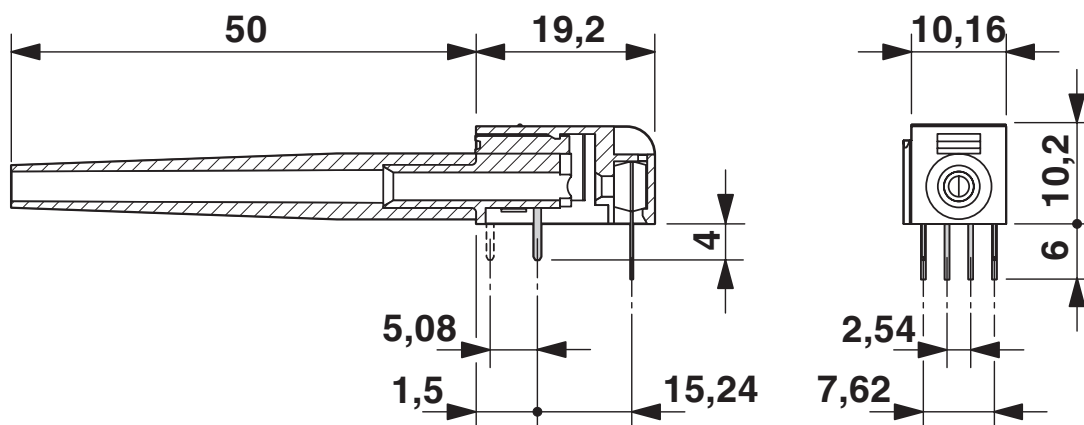
<https://www.phoenixcontact.com/us/products/1907924>

## Drawings

Circuit diagram



Dimensional drawing

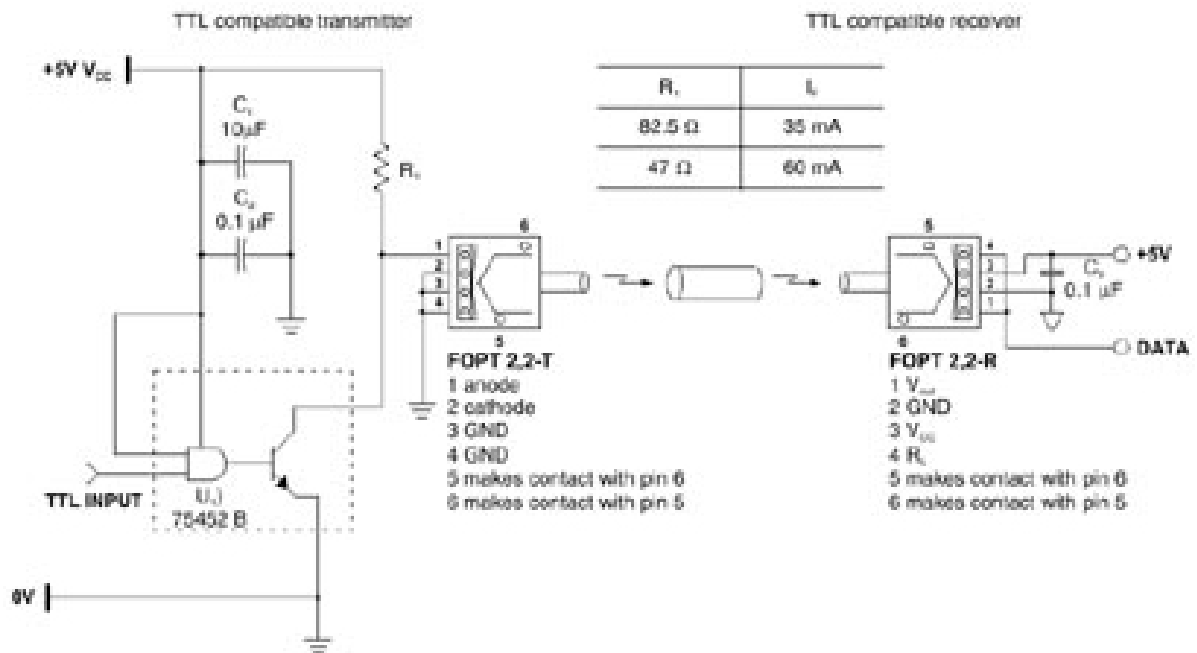


# FOPT 2,2-R - FO PCB terminal block

1907924

<https://www.phoenixcontact.com/us/products/1907924>

## Block diagram



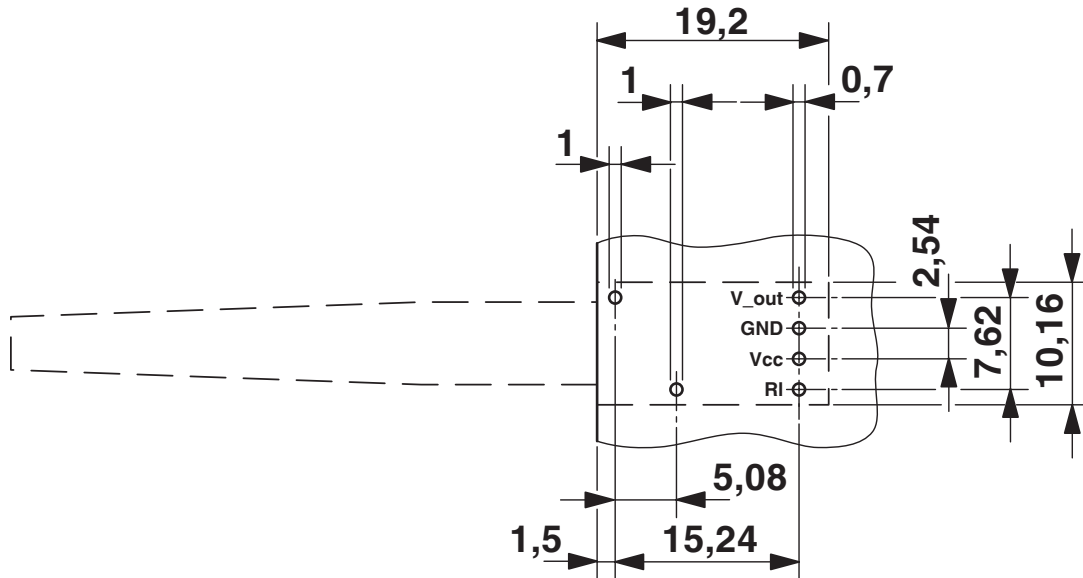
# FOPT 2,2-R - FO PCB terminal block



1907924

<https://www.phoenixcontact.com/us/products/1907924>

Drilling plan/solder pad geometry



# FOPT 2,2-R - FO PCB terminal block



1907924

<https://www.phoenixcontact.com/us/products/1907924>

## Classifications

### ECLASS

ECLASS-11.0	27460101
ECLASS-12.0	27460101
ECLASS-13.0	27460101

### ETIM

ETIM 9.0	EC002643
----------	----------

### UNSPSC

UNSPSC 21.0	39121400
-------------	----------

# FOPT 2,2-R - FO PCB terminal block



1907924

<https://www.phoenixcontact.com/us/products/1907924>

## Environmental product compliance

### EU RoHS

Fulfills EU RoHS substance requirements	Yes, No exemptions
---	--------------------

### China RoHS

Environment friendly use period (EFUP)	EFUP-E
	No hazardous substances above the limits

### EU REACH SVHC

REACH candidate substance (CAS No.)	No substance above 0.1 wt%
-------------------------------------	----------------------------

# FOPT 2,2-R - FO PCB terminal block



1907924

<https://www.phoenixcontact.com/us/products/1907924>

## Accessories

### SZF 0-0,4X2,5 - Screwdriver

1204504

<https://www.phoenixcontact.com/us/products/1204504>



Actuation tool, for ST terminal blocks, also suitable for use as a bladed screwdriver, size: 0.4 x 2.5 x 75 mm, 2-component grip, with non-slip grip

---

### IBS RL FOC - Fiber cutter

2725147

<https://www.phoenixcontact.com/us/products/2725147>



Fiber cutter for assembling polymer fiber cables for connecting INTERBUS Ruggedline devices

# FOPT 2,2-R - FO PCB terminal block

1907924

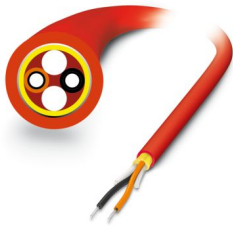
<https://www.phoenixcontact.com/us/products/1907924>



## PSM-LWL-RUGGED-980/1000 - FO cable

2744322

<https://www.phoenixcontact.com/us/products/2744322>



Polymer fiber cable, duplex 980µm/1000µm, heavy-weight version for installation in stationary systems and machines, by the meter without male connector

---

## PSM-LWL-RUGGED-FLEX-980/1000 - FO cable

2744335

<https://www.phoenixcontact.com/us/products/2744335>



Polymer fiber cable, duplex 980/1000 µm, heavy-weight, highly flexible version for flexible conduit applications, by the meter, without connector

---

Phoenix Contact 2024 © - all rights reserved  
<https://www.phoenixcontact.com>

Phoenix Contact USA  
586 Fulling Mill Road  
Middletown, PA 17057, United States  
(+717) 944-1300  
[info@phoenixcon.com](mailto:info@phoenixcon.com)