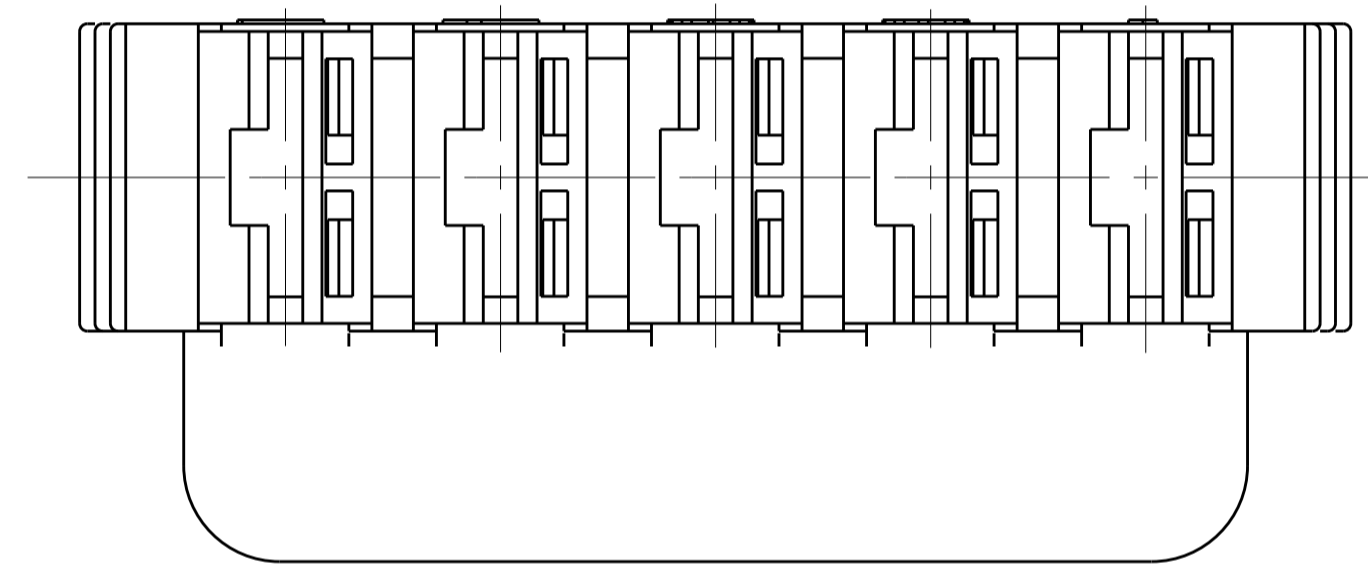
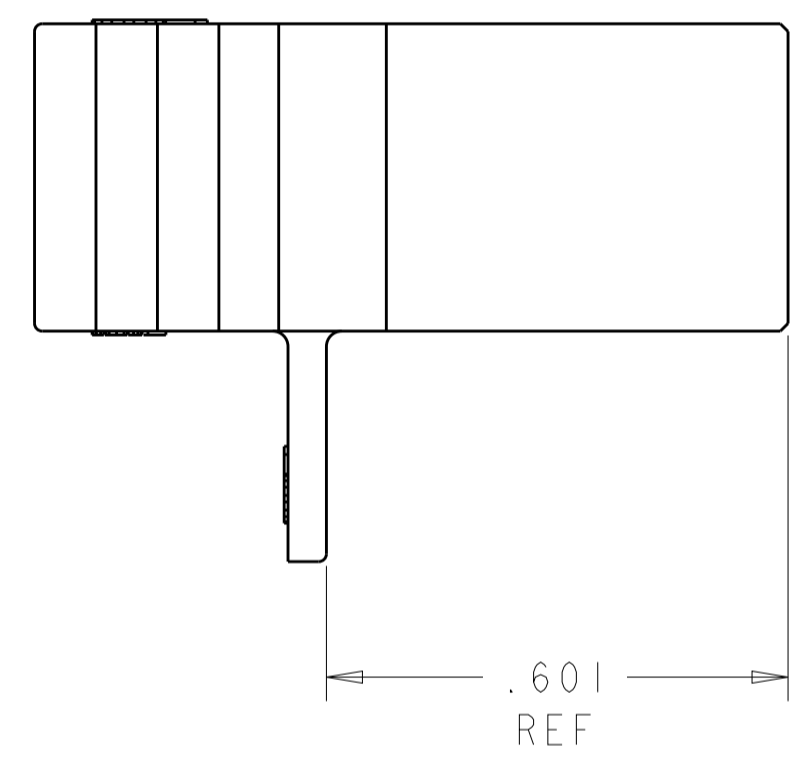
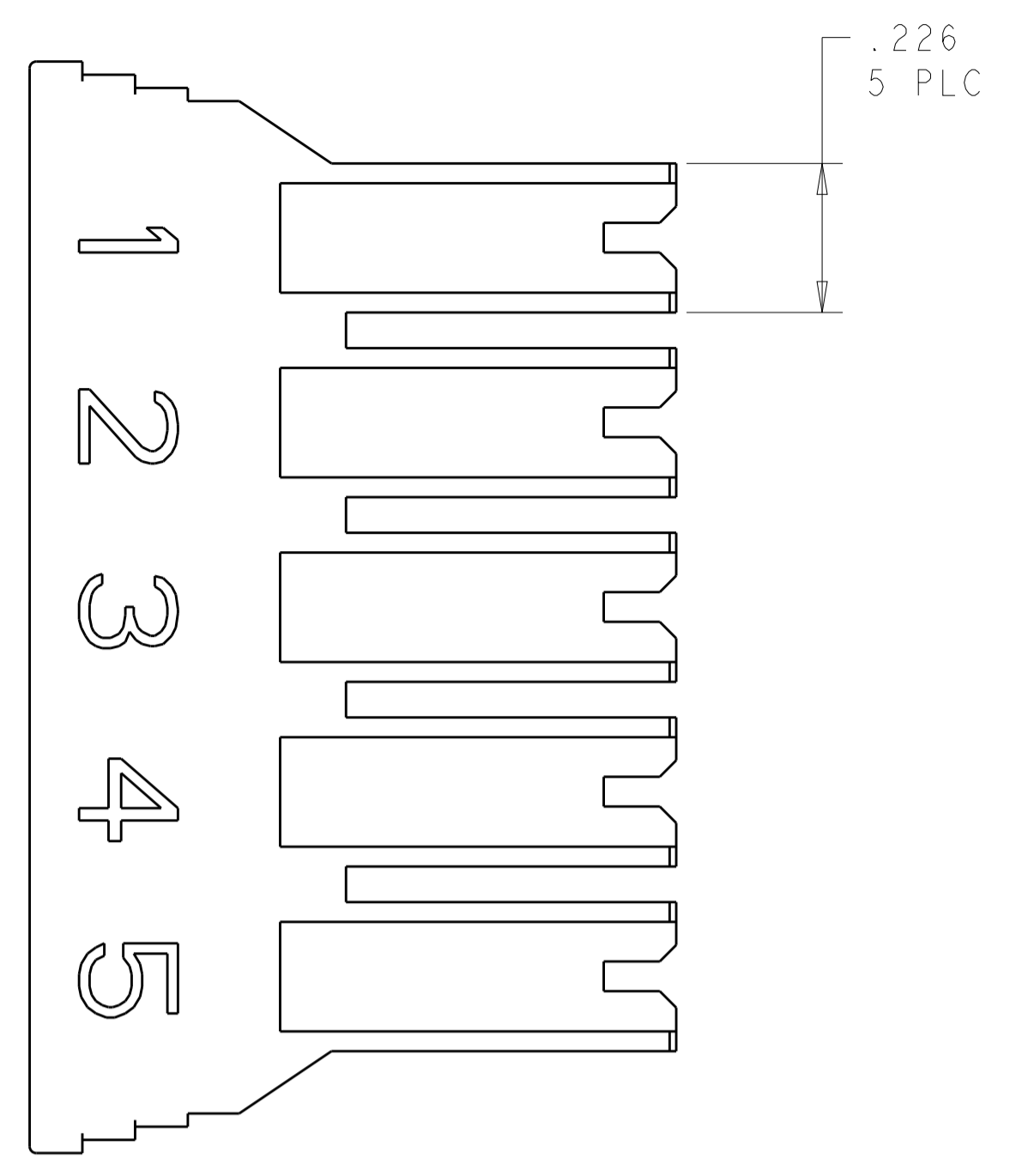
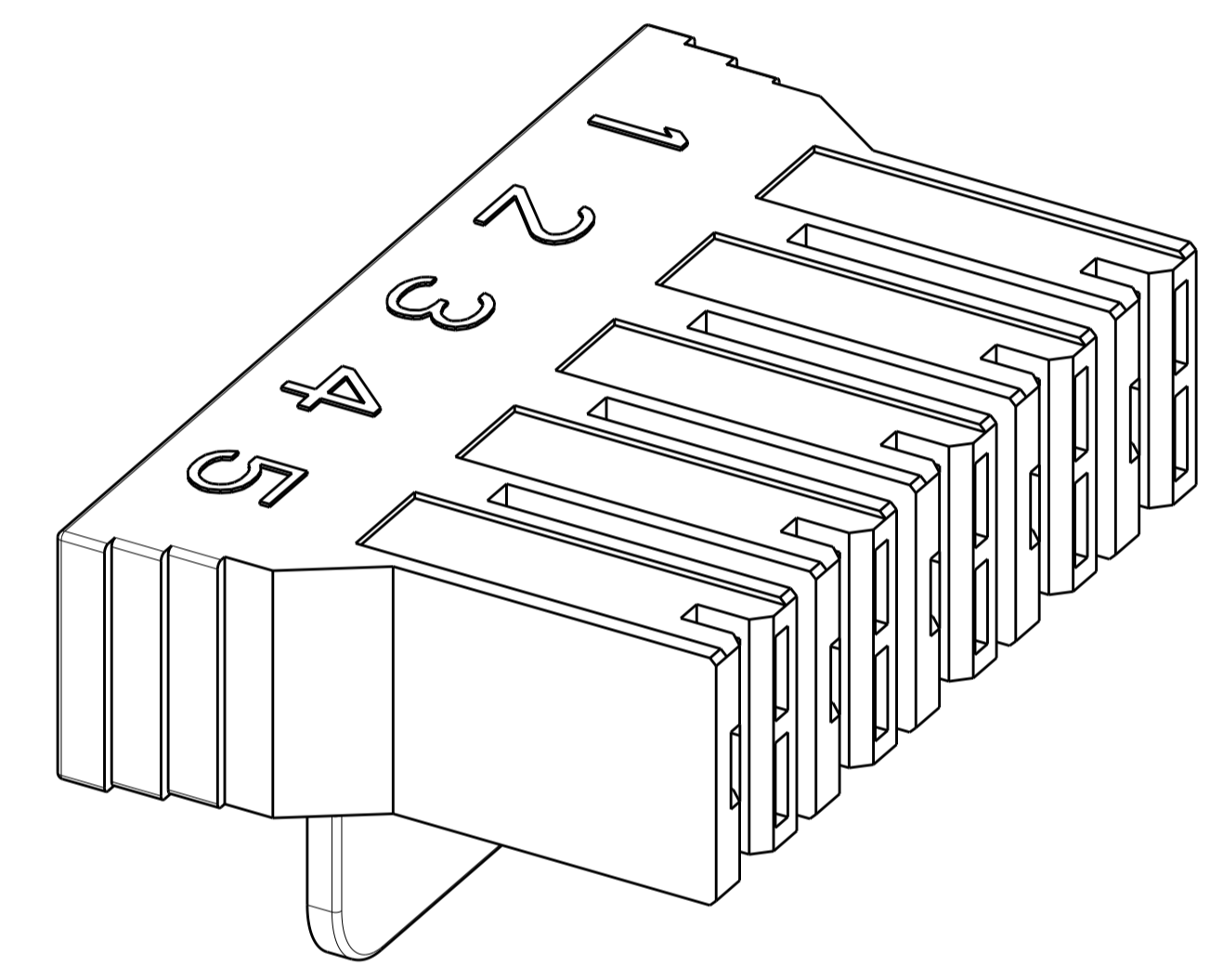


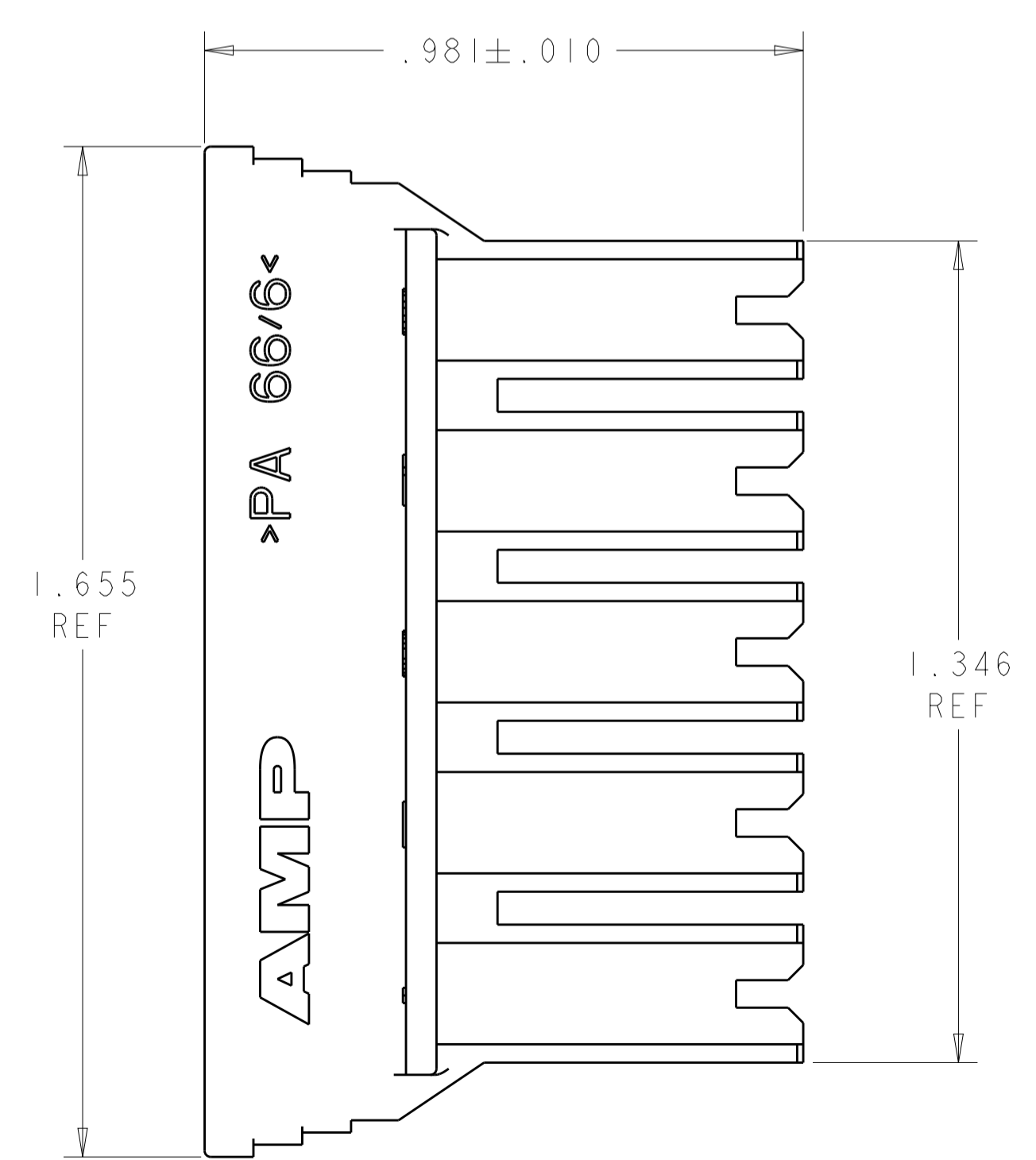
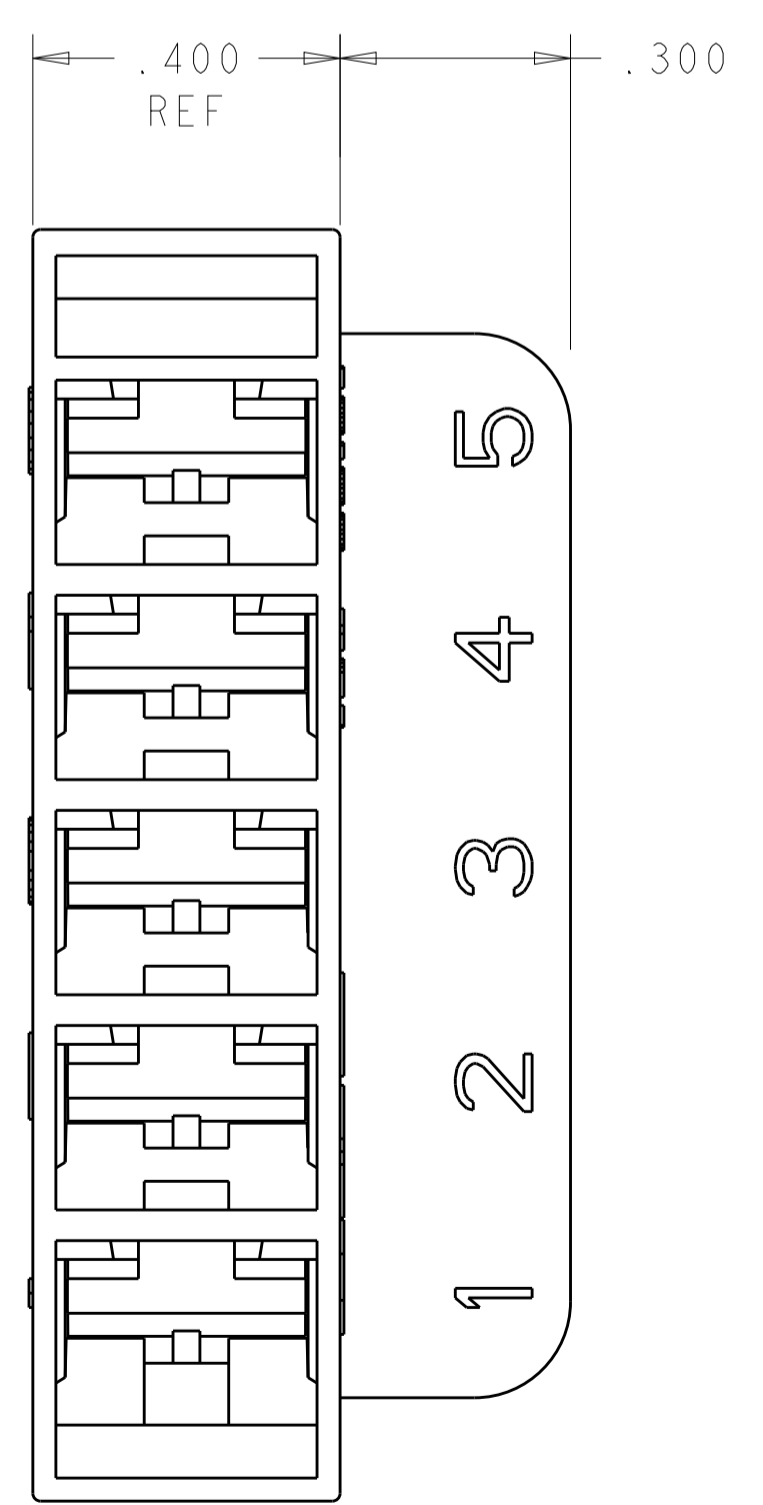
REVISIONS				
P.	LTN	DESCRIPTION	DATE	APPROV
A		RELEASED PER ECO-19-011170	22JUL2019	BKW LB



- 1 ACCEPTS:
.250 X.032 STANDARD FASTON RECEPTACLE PN 2238196-3 OR 2238173-3
- 2 THIS PRODUCT HAS NOT COMPLETED QUALIFICATION TESTING



3D VIEW
SCALE 4:1



BLACK	NYLON 66/6, V0	1969897-1
COLOR	MATERIAL	PART NUMBER

THIS DRAWING IS A CONTROLLED DOCUMENT.		DWN: BASAVARAJA, D A 15FEB2018		TE Connectivity	
DIMENSIONS: INCHES		CHK: BREKOSKY, LAWRENCE 15FEB2018		NAME: HOUSING RECEPTACLE, STANDARD FASTON 5 POSITION, .250 SERIES	
TOLERANCES UNLESS OTHERWISE SPECIFIED:		APVD: BREKOSKY, LAWRENCE 15FEB2018		SIZE: CAGE CODE: DRAWING NO: RESTRICTED TO	
0 PLC ± .010		PRODUCT SPEC		A100779C=1969897	
1 PLC ± .010		APPLICATION SPEC		SCALE 4:1 SHEET 1 OF 1 REV A	
2 PLC ± .010		WEIGHT		CUSTOMER DRAWING	
3 PLC ± .010		FINISH			
4 PLC ± .010		MATERIAL			
ANGLES ± 2°		SEE TABLE			