

6

5

4

3

2

1

D

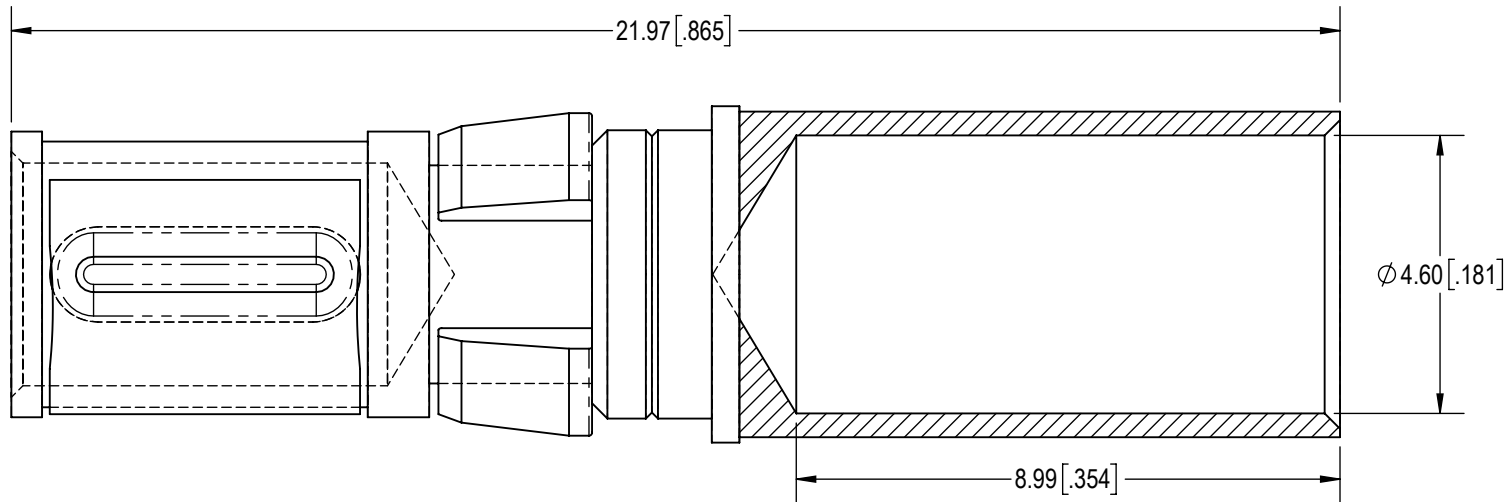
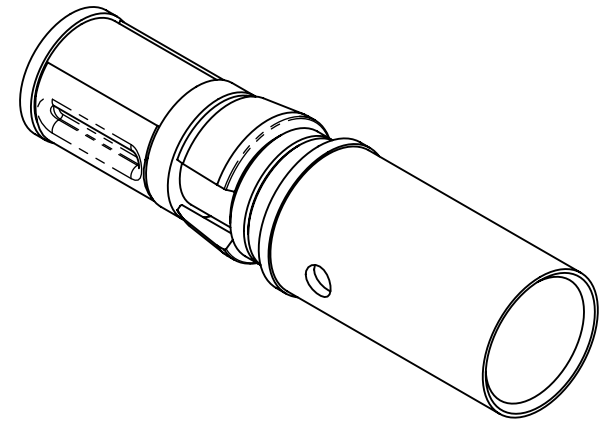
D

C

C

B

B

**NOTES:**

- MATERIAL AND FINISHES:
CONTACT: PRECISION MACHINED HIGH CONDUCTIVITY COPPER ALLOY, GOLD FLASH OVER NICKEL PLATE.
SPRING CLIP: BERYLLIUM COPPER, GOLD FLASH OVER NICKEL PLATE.
RETAINER: POLYETHERMIDE, COLOR BLACK.
- DETAILED PRODUCT, MECHANICAL AND ELECTRICAL INFORMATION IS AVAILABLE IN THE LATEST STANDARD DENSITY COMBO-DPRODUCT PUBLICATION AT CONNECTPOSITRONIC.COM.
- CONTACTS ARE COMPLIANT TO THE CURRENT RoHS DIRECTIVE.

BY SBM	CHK LAW	3RD ANGLE 	POSITRONIC BELIEVES THE DATA ON THE DRAWING TO BE RELIABLE. THE USER EMPLOYS SUCH INFORMATION AT HIS OWN DISCRETION AND RISK. POSITRONIC ASSUMES NO RESPONSIBILITY FOR RESULTS OBTAINED OR DAMAGES INCURRED FROM USE OF SUCH INFORMATION IN WHOLE OR IN PART.	 Positronic® CONNECTPOSITRONIC.COM
APR PA	RELEASED DATE: 2019-01-23	SCALE NTS		
TOLERANCES ±0.03mm [.001 INCHES] FOR MALE CONTACT MATING DIAMETERS ±0.08mm [.003 INCHES] FOR CONTACT TERMINATION DIAMETERS ±0.13mm [.005 INCHES] FOR ALL OTHER DIAMETERS ±0.38mm [.015 INCHES] FOR ALL OTHER DIMENSIONS ±5° FOR ALL ANGLES DIMENSION ARE IN MILLIMETERS [INCHES]		PART NUMBER FC4008DS/AA	SERIES CBD/CBM	
		TITLE FC4008DS/AA		
CREATED ON: 2019-01-18		SHEET SHEET 1 OF 1	REV E	

6

5

4

3

2

1

A

A