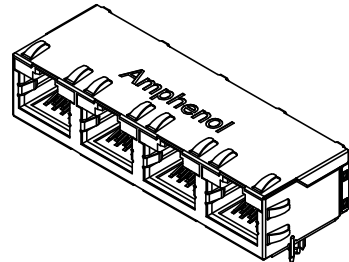
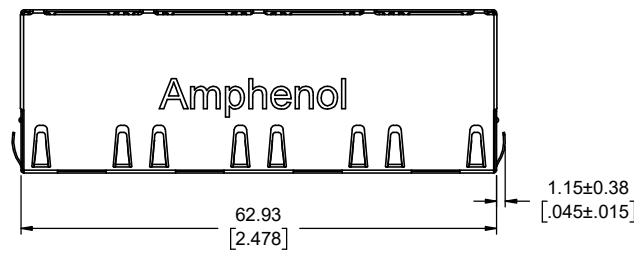
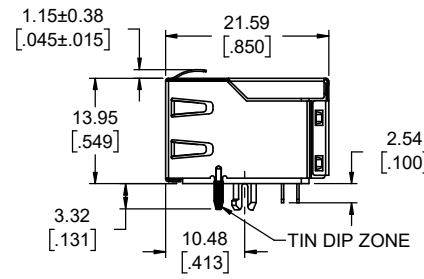
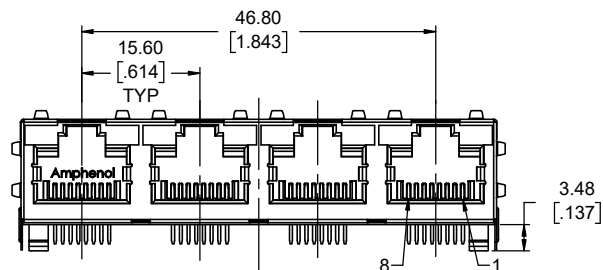


REVISIONS			
REV	DESCRIPTION, ECN, EAR NO.	DATE	APP'D
A	INITIAL RELEASE	MAR14/24	K.T



- NOTES:**
ELECTRICAL:
 1. VOLTAGE RATING: 125 VAC.
 2. CURRENT RATING: 1.25 AMPS PER CONTACT.
 3. INSULATING RESISTANCE: 500 MEGAOHMS MINIMUM.
 4. DIELECTRIC STRENGTH: 1000 VAC 60HZ, 1MIN.
 5. CATEGORY 6 CHARACTERISTIC

FREQUENCY MHZ	NEAR-END CROSSTALK dB, MIN.	RETURN LOSS dB, MIN.	INSERTION LOSS dB, MAX.
1.0	75.0	30.0	0.1
4.0	75.0	30.0	0.1
8.0	75.0	30.0	0.1
10.0	74.0	30.0	0.1
16.0	69.9	30.0	0.1
20.0	68.0	30.0	0.1
25.0	66.0	30.0	0.1
31.25	64.1	30.0	0.11
62.5	58.1	28.1	0.16
100.0	54.0	24.0	0.20
200.0	48.0	18.0	0.28
250.0	46.0	16.0	0.32

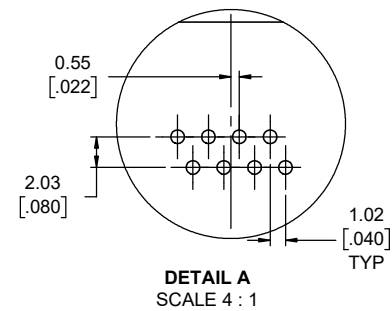
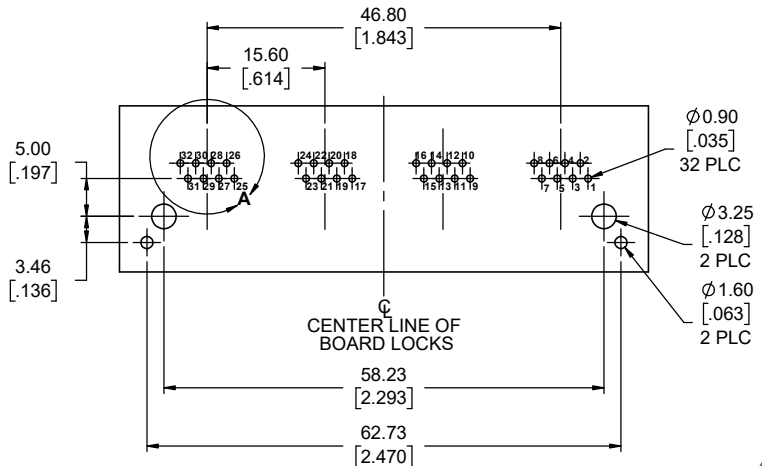


- MECHANICAL:**
 1. SHIELD: STAINLESS STEEL WITH TIN-DIP ON SOLDER TABS
 2. HOUSING: THERMOPLASTIC, UL 94V-0, BLACK
 3. CONTACT: PHOSPHOR BRONZE, SELECTIVE GOLD PLATING ON MATING SURFACE, 50µ" MIN. NICKEL UNDERPLATE 100µ" MATTE TIN PLATING ON CONTACT SOLDER TAIL.

- ENVIRONMENTAL:**
 1. STORAGE: -40 °C TO +85°C
 2. OPERATION: -40 °C TO +85°C
 3. MATES WITH MODULAR PLUG CONFORMING TO TIA 1096 STANDARD.
 4. RECOMMENDED SOLDER PROCESS: WAVE SOLDER, PEAK TEMPERATURE 260°C FOR 5-8 SECONDS

RJ CONNECTOR CONFORMS TIA-1096
 AMPHENOL PART NUMBER DESCRIPTION: RJE59-488-5X01

- GOLD PLATING OPTION**
 1=6µ" GOLD PLATING
 2=15µ" MIN GOLD PLATING
 3=30µ" MIN GOLD PLATING
 4=50µ" MIN GOLD PLATING



**RECOMMENDED PCB LAYOUT
 TOLERANCE: ±0.05[0.002]**



UNLESS SPECIFIED OTHERWISE	DRAWN	J.CHEN	MAR14/24
PRIMARY UNITS MILLIMETERS	CHECKED	K.TANG	MAR14/24
SECONDARY INCHES	M.E.	APP'D	
REFERENCE IN PARENTHESES	Q.A.	APP'D	
GENERAL TOLERANCES	DWG APPR.		
1 DECIMAL PLACE	ENG. REL. NO.	EAR 15463	
2 DECIMAL PLACES ±0.25	REF.		
3 DECIMAL PLACES ±0.15	THIRD ANGLE PROJECTION		
ANGULAR DEGREES ±2°	DO NOT SCALE DRAWING		

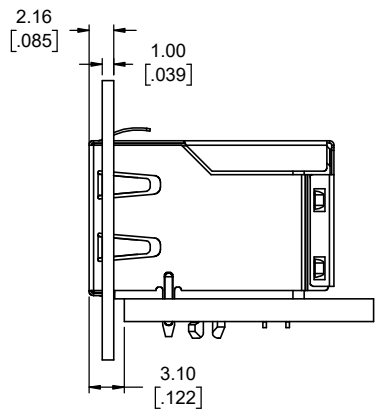
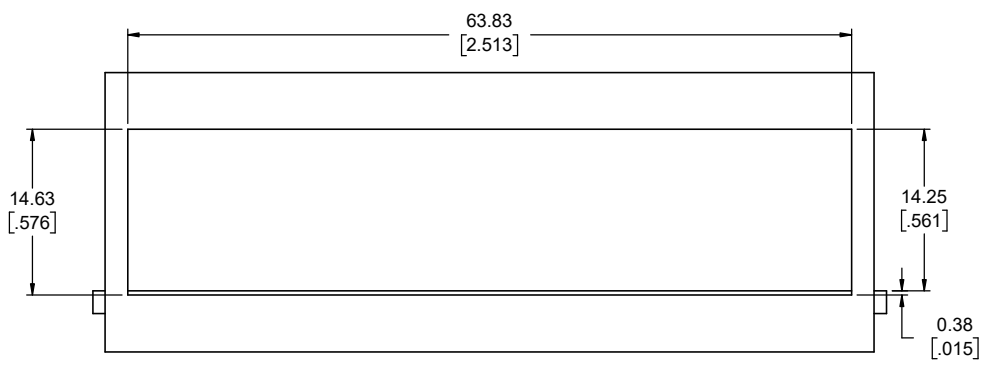
Amphenol Canada Corp.
 Commercial Products

MODULAR JACK, 1X4 PORTS, 8 POSITIONS, 8 CONTACTS, SHIELDED WITH TOP & SIDE TABS, WITHOUT LEADS, TAB UP, CAT 6, RoHS COMPLIANT

DWG. NO. P-RJE59-488-5X01

CODE ID NO. 03554 DWG SIZE: N/A SCALE: FIT SHEET 1 OF 2

REVISIONS			
REV	DESCRIPTION, ECN, EAR NO.	DATE	APP'D
A	INITIAL RELEASE	MAR14/24	K.T



RECOMMENDED PANEL CUTOUT

TRAY PACKING INFORMATION		
CONNECTORS PER TRAY	TRAYS PER CARTON	TOTAL CONNECTORS PER CARTON
20PCS	22PCS	440PCS



UNLESS SPECIFIED OTHERWISE	DRAWN	J.CHEN	MAR14/24
PRIMARY UNITS MILLIMETERS	CHECKED	K.TANG	MAR14/24
SECONDARY INCHES	M.E.	APP'D	
REFERENCE IN PARENTHESSES	Q.A.	APP'D	
GENERAL TOLERANCES	DWG APPR.		
1 DECIMAL PLACE	ENG. REL. NO.	EAR 15463	
2 DECIMAL PLACES ±0.25	REF.		
3 DECIMAL PLACES ±0.15	THIRD ANGLE PROJECTION		
ANGULAR DEGREES ±2°	DO NOT SCALE DRAWING		

Amphenol Canada Corp.
Commercial Products

MODULAR JACK, 1X4 PORTS, 8 POSITIONS, 8 CONTACTS, SHIELDED WITH TOP & SIDE TABS, WITHOUT LEDS, TAB UP, CAT 6, RoHS COMPLIANT

DWG. NO. **P-RJE59-488-5X01** REV **A**

CODE ID NO. 03554 | DWG SIZE: N/A | SCALE: FIT | SHEET 2 OF 2

THIS DOCUMENT CONTAINS PROPRIETARY INFORMATION AND SUCH INFORMATION MAY NOT BE DISCLOSED TO OTHERS FOR ANY PURPOSE OR USED FOR MANUFACTURING PURPOSES WITHOUT WRITTEN PERMISSION FROM AMPHENOL CANADA CORP.