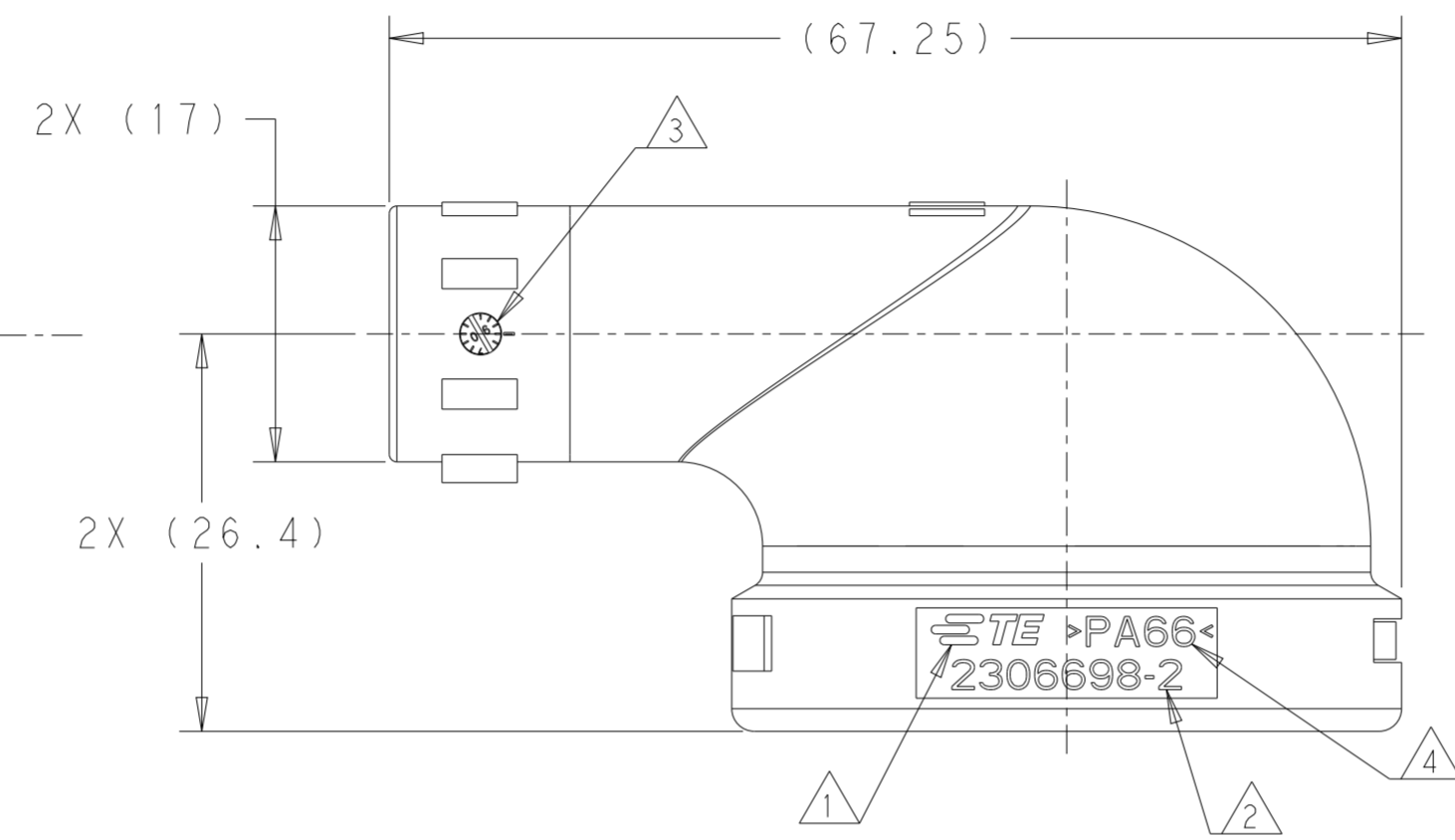
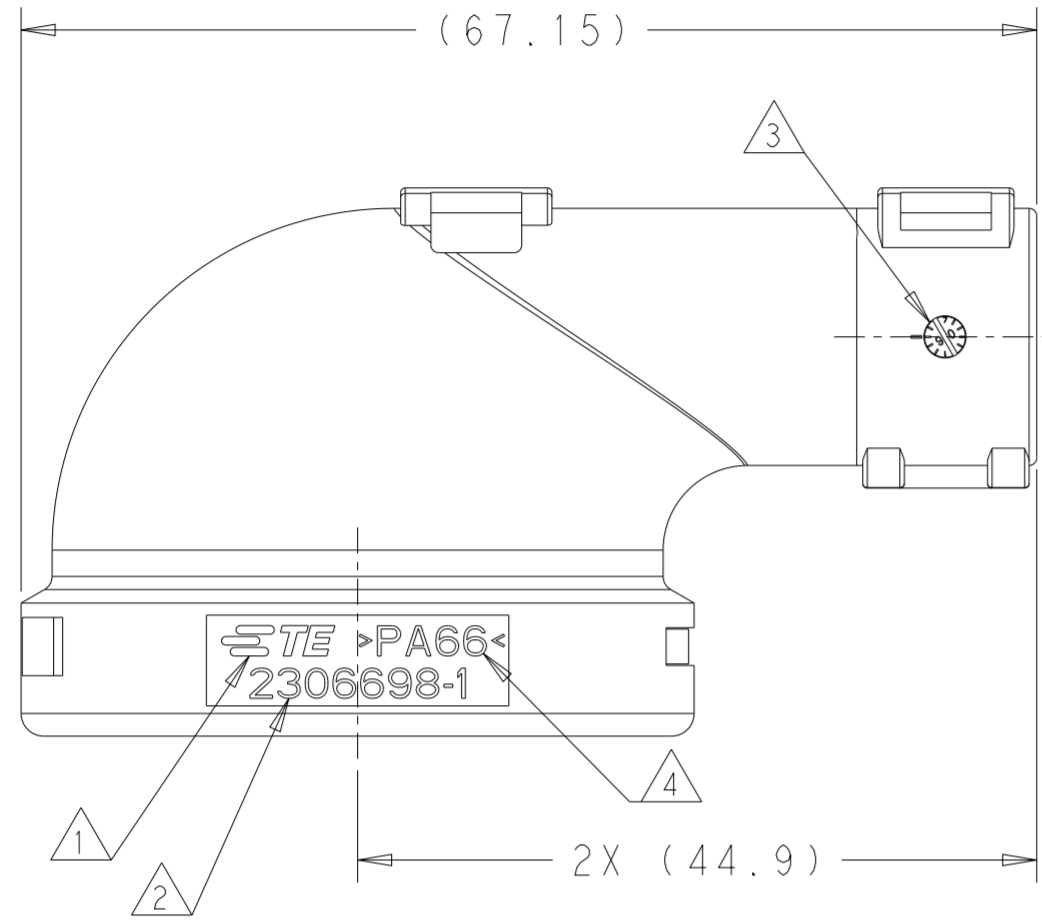
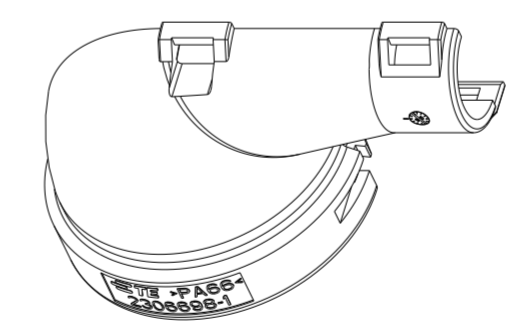
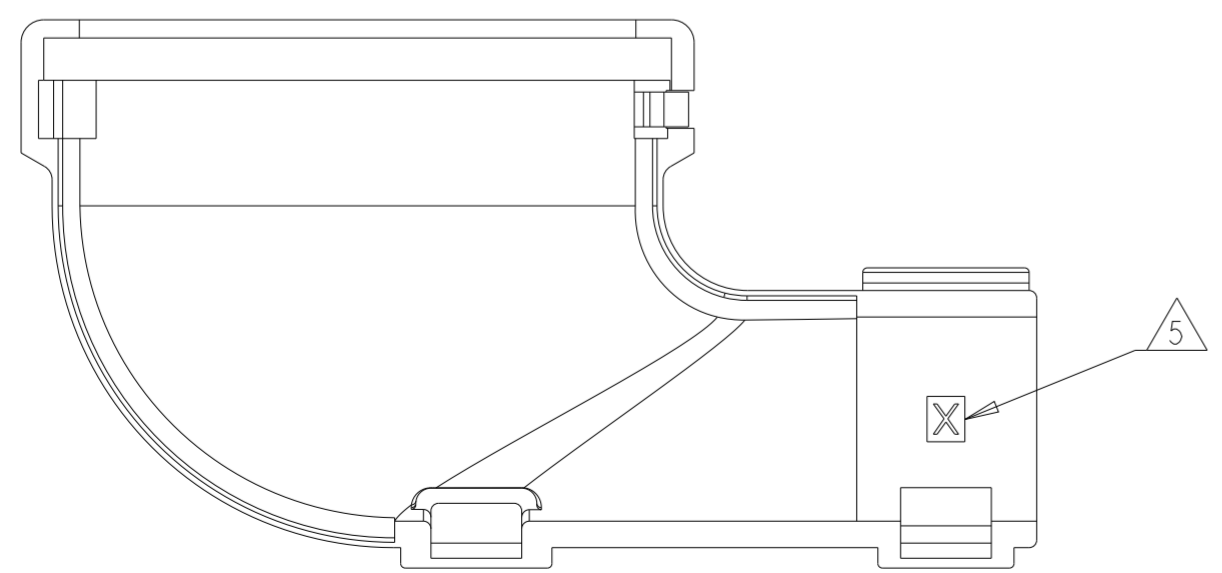
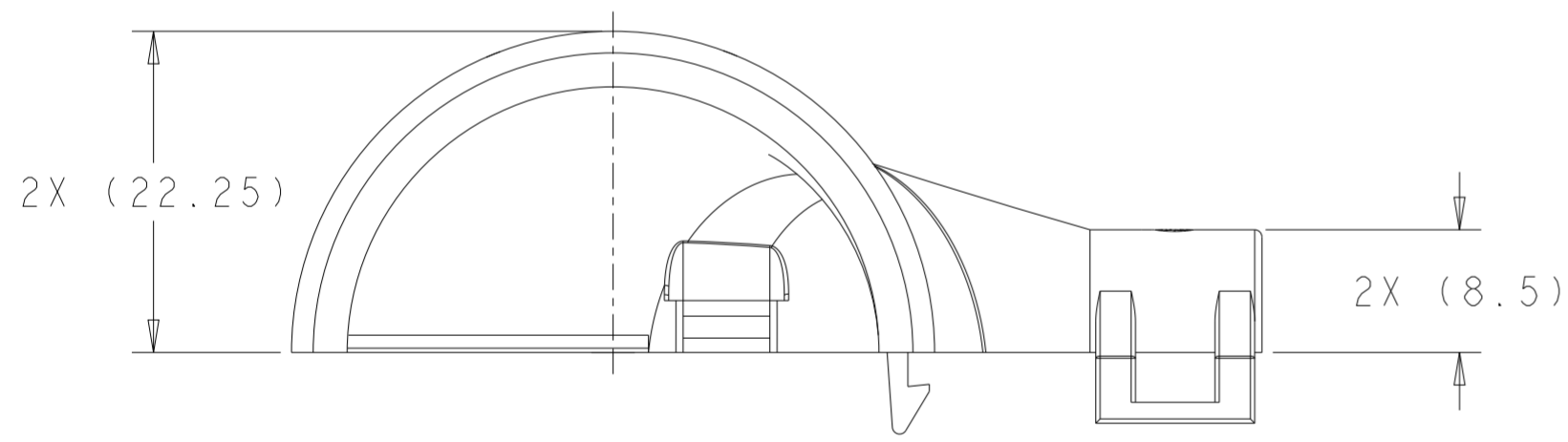


THIS DRAWING IS UNPUBLISHED. RELEASED FOR PUBLICATION
 © COPYRIGHT copyright.dBTe- ALL RIGHTS RESERVED.

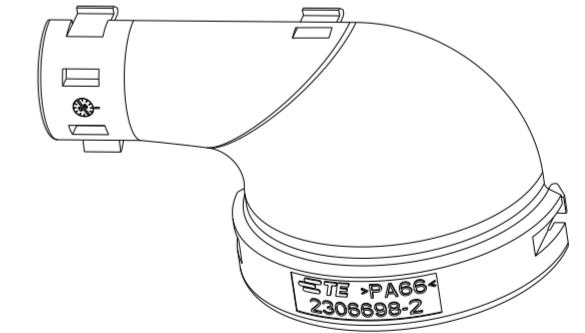
| REVISIONS | | | | | |
|-----------|-----|---------------------------|-----------|-----|------|
| P | LTR | DESCRIPTION | DATE | DWN | APVD |
| A | | REL PER ECO-17-008478 | 17JUL2017 | JM | DS |
| B | | REV PER ECO-17-013914 | 29SEP2017 | JM | DS |
| B1 | | REVISED PER PCN-25-255418 | 08AUG2025 | SG | AW |



- 1 TO CONNECTIVITY LOGO
 - 2 TE PART NUMBER
 - 3 DATE CODE WHEEL
 - 4 MATERIAL ID
 - 5 MOLD CAVITY ID
6. USE WITH AMP MCP HOUSING ASSEMBLY 1703768 AND 1703963



2306698-1



2306698-2

| |
|-----------|
| 2306698-2 |
| 2306698-1 |
| PART NO |

| | | | | |
|--|--|----------------------------|--|---------------------|
| THIS DRAWING IS A CONTROLLED DOCUMENT. | | DWN L HEYECK 13JUL2016 | STE TE Connectivity | |
| DIMENSIONS: mm | | CHK C M RHODES 25JUL2016 | | |
| TOLERANCES UNLESS OTHERWISE SPECIFIED: | | APVD D STRAUSSER 10APR2017 | NAME ADAPTER 90 DEGREES 12-16 POSN HOUSING SMOOTH EXIT | |
| 0 PLC ± | | PRODUCT SPEC - | SIZE A2 | CAGE CODE C-2306698 |
| 1 PLC ± | | APPLICATION SPEC - | WEIGHT - | RESTRICTED TO - |
| 2 PLC ± | | SCALE 1:1 | SHEET 1 OF 1 | REV B1 |
| 3 PLC ± | | CUSTOMER DRAWING | | |
| 4 PLC ± | | | | |
| ANGLES ± | | | | |
| FINISH | | | | |
| MATERIAL PA66 | | | | |