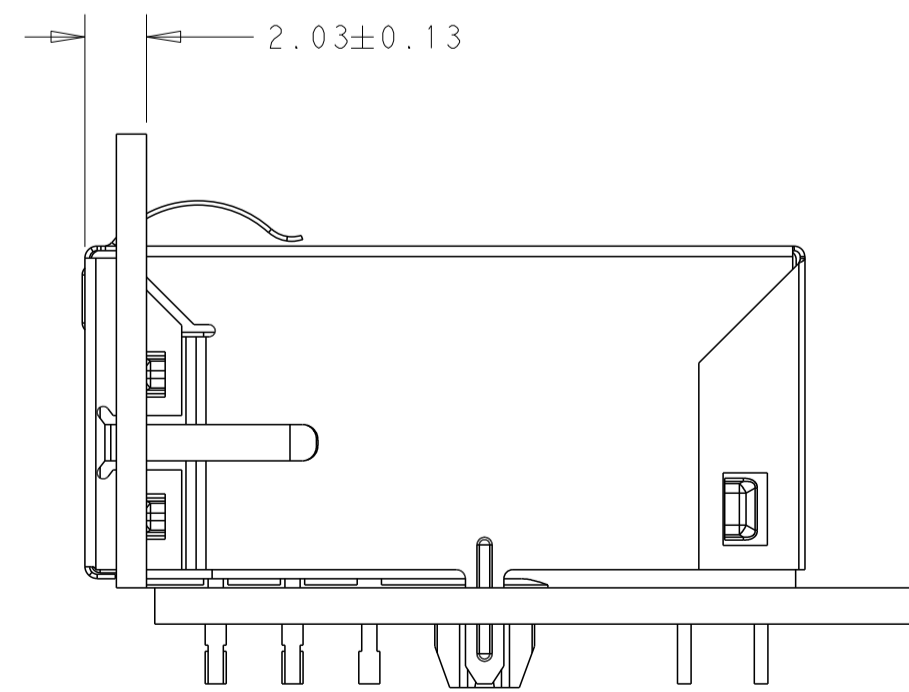
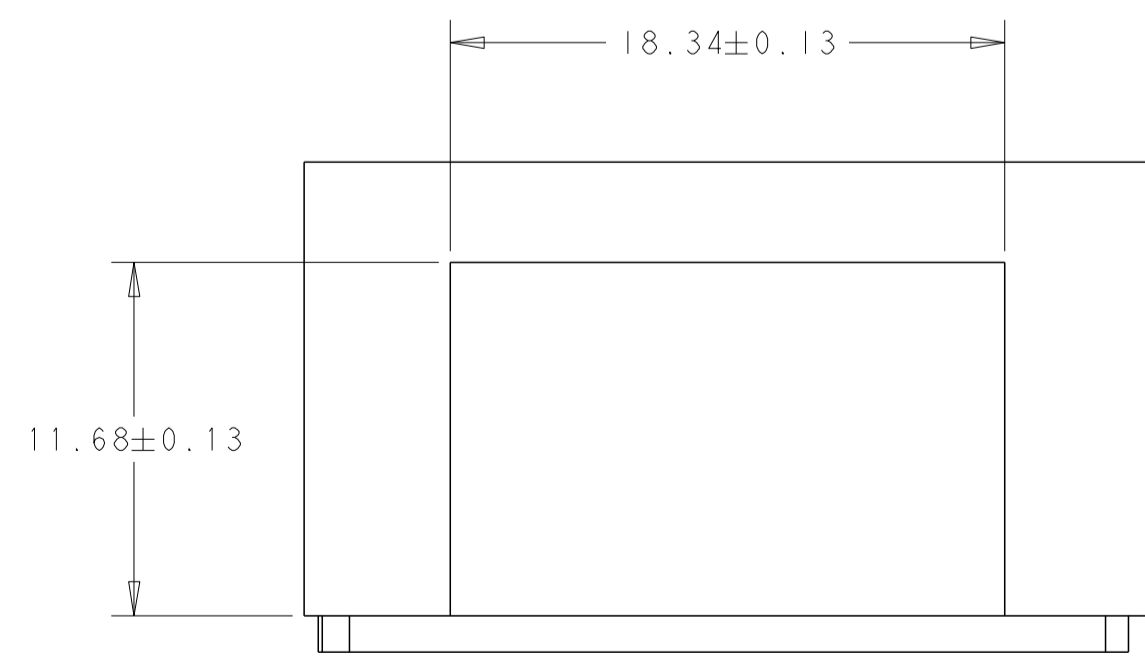
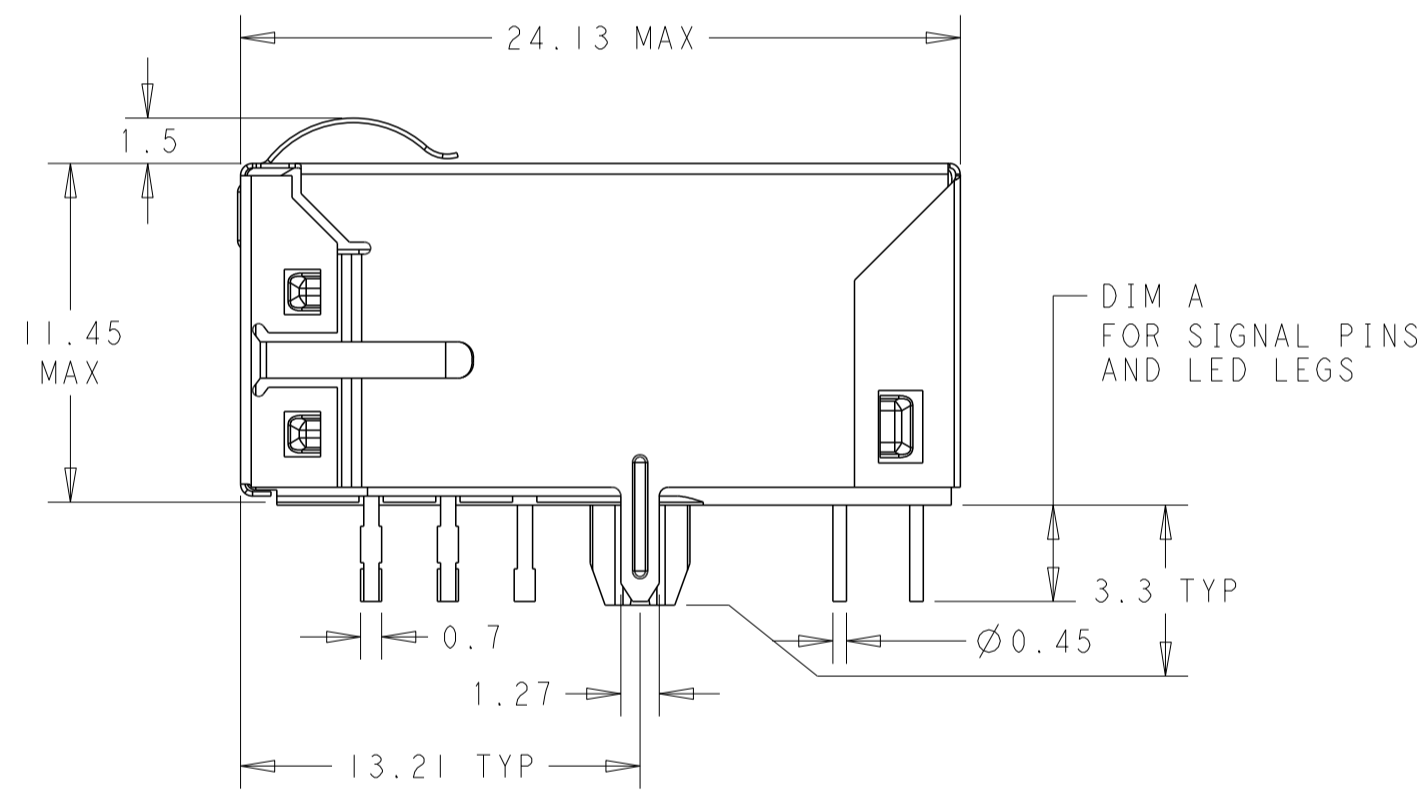
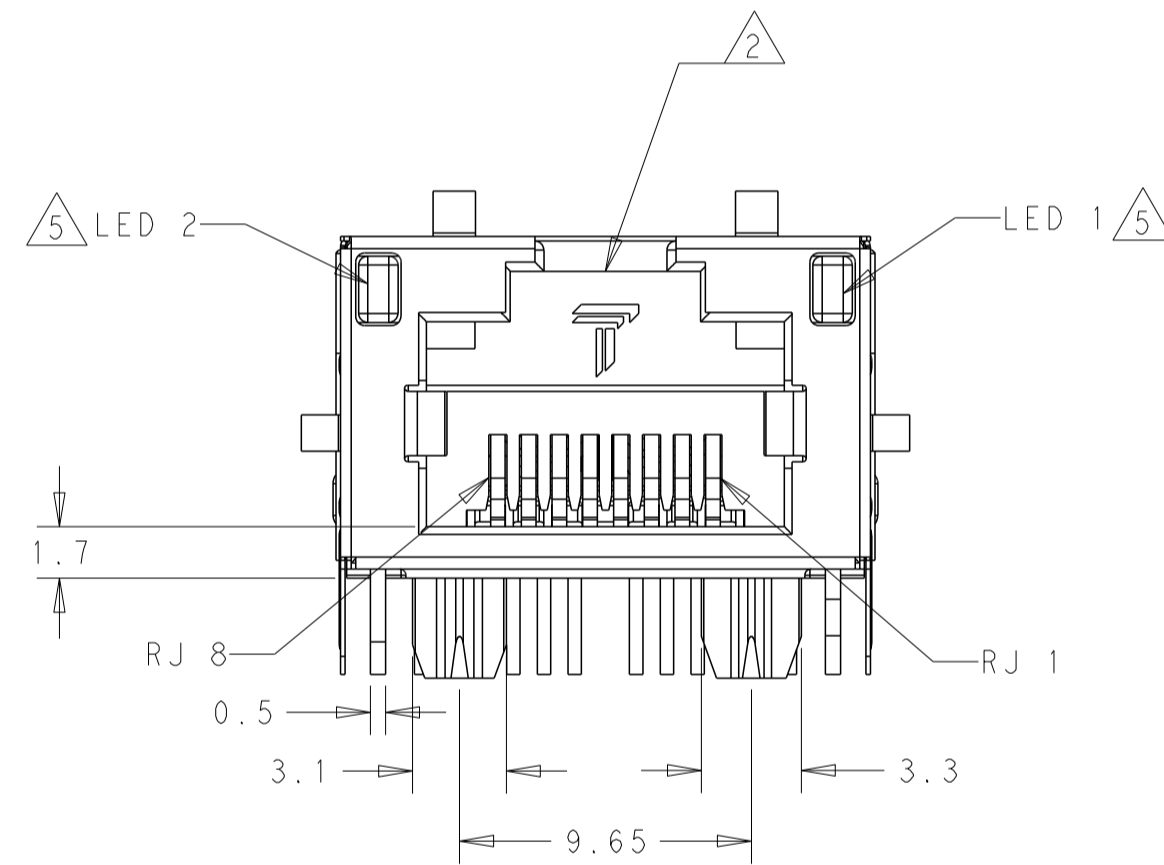
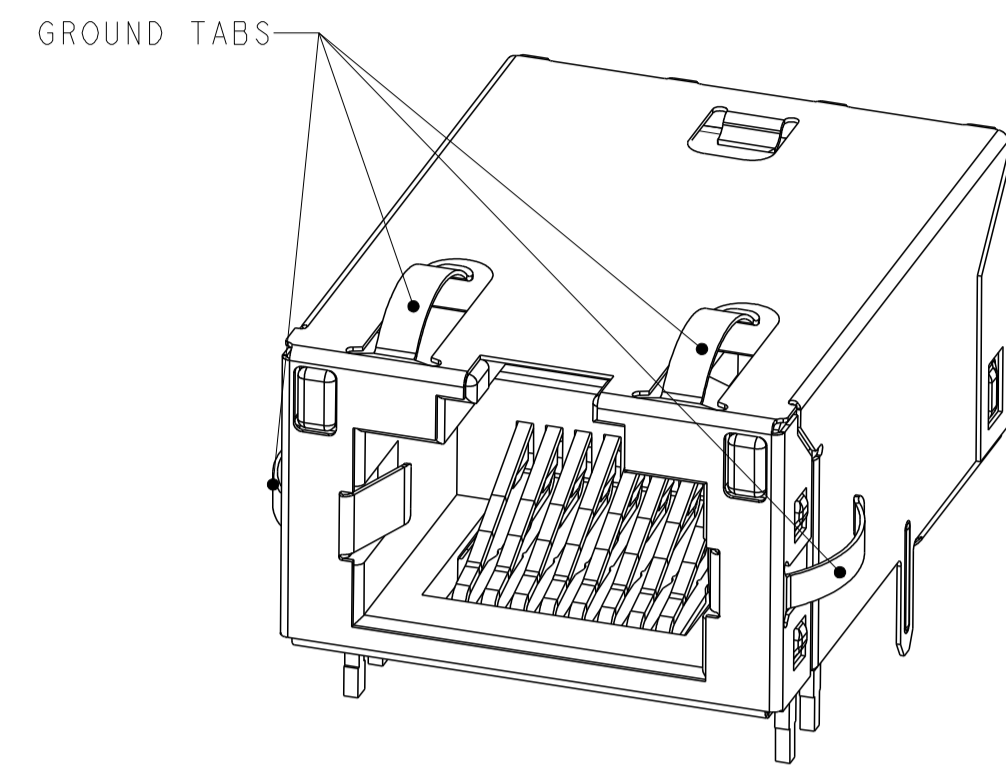
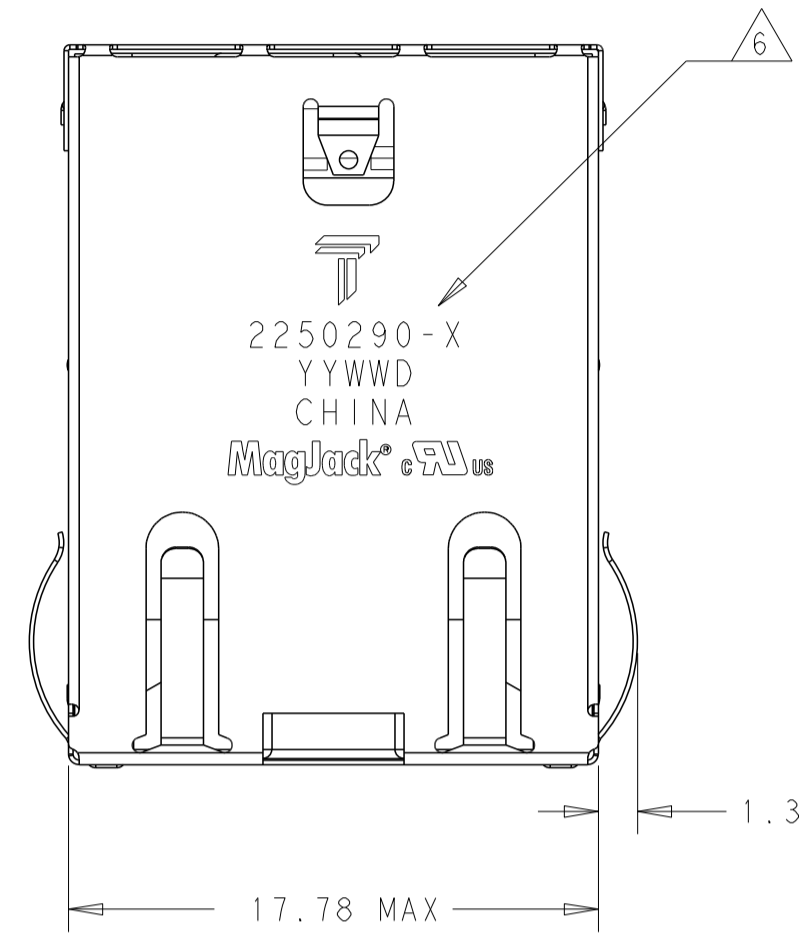


THIS DRAWING AND THE SUBJECT MATTER SHOWN THEREON ARE CONFIDENTIAL AND THE PROPERTY OF BEL/STEWART/TRP CONNECTOR AND SHALL NOT BE REPRODUCED, COPIED, OR USED IN ANY MANNER WITHOUT THE WRITTEN CONSENT OF TRP CONNECTOR.

PRODUCT MAY BE PROTECTED BY ONE OR MORE OF THE FOLLOWING US PATENTS:  
 5736910 5939955 6425781 6428361 6554638 6840817 7123117  
 7429195 7717749 7808751 6217391 6149050 7924130

REVISIONS				
REV	DATE	DESCRIPTION	BY	APPV
D	04JUN2019	EC-1906004	TRY	TY
E	09JUL2019	EC-1907009	TRY	TY



SUGGESTED PANEL CUTOUT

- △ MATERIALS:
  - HOUSING: THERMOPLASTIC FLAMMABILITY, RATING, UL 94V-0
  - SHIELD: STAINLESS STEEL 0.15mm THICK, PREPLATED WITH 0.76  $\mu$ m MIN SEMI-BRIGHT NICKEL; SOLDER TABS POST PREPLATED WITH 3 $\mu$ m TIN.
  - MOD JACK CONTACTS: 0.3mm THICK, PHOSPHOR BRONZE, 1.27  $\mu$ m MIN OVERALL NICKEL UNDERPLATE, WITH 0.76 $\mu$ m MIN LOCALIZED GOLD PLATE AT PLUG INTERFACE;
  - OR 1.27  $\mu$ m MIN OVERALL NICKEL UNDERPLATE, WITH 1.27 $\mu$ m MIN LOCALIZED GOLD PLATE AT PLUG INTERFACE
  - LIGHT EMITTING DIODE (LED): DIFFUSED EPOXY LENS, 0.5mm X 0.5mm CARBON STEEL WIREFRAME LEADS PREPLATED WITH 2.03 $\mu$ m MIN. SILVER PLATE OVER 1.02 $\mu$ m MIN. NICKEL OVER 1.02 $\mu$ m MIN. COPPER UNDERPLATE; LEADS POST-PLATED WITH 3.05 $\mu$ m MIN. MATTE TIN.

△ RJ45 JACK CAVITY CONFORMS TO FCC RULES AND REGULATIONS PART 68, SUB-PART F.

- △ MAGNETICS:
  - APPLICATION: 10/100/1000 BASE-T
  - IMPEDANCE: 100 OHMS
  - TURNS RATIO (CHIP:CABLE): 1:1 ALL FOUR PAIRS
  - OPEN CIRCUIT INDUCTANCE (OCL): 350 $\mu$ H MIN @100kHz, 0.1VRMS, 8mADC BIAS FROM 0°C TO 70°C, ALL FOUR PAIRS
  - ALL FOUR PAIRS BI-DIRECTINAL
  - PERFORMANCE @ 25°C:
    - INSERTION LOSS (IL): 1.1dB MAX FROM 0.5MHz TO 100MHz
    - RETURN LOSS (RL): 18dB MIN FROM 0.5MHz TO 40MHz
    - 12-20LOG(f/80)dB MIN FROM 40.1MHz TO 100MHz
    - CROSSTALK ATTENUATION: 35dB MIN FROM 0.5MHz TO 40MHz
    - 33-20LOG(f/50)dB MIN FROM 40.1MHz TO 100MHz
    - COMMON MODE REJECTION RATIO (CMRR): 30dB MIN FROM 0.5MHz TO 100MHz
  - ISOLATION VOLTAGE: 2250 VDC FOR 60 SECONDS WITH A RISE TIME OF 500V/SEC

△ OPERATING TEMPERATURE: FROM 0°C TO 70°C

- △ LED IS WITH CONSTANT CURRENT AT APPROX 20mA.
  - LED COLOR: DONINANT WAVELENGTH( $\lambda$ D), GREEN = 568 $\pm$ 5nm TYP. at IF=20mA
  - FORWARD VOLTAGE(VF), GREEN 2.2V TYP. at IF=20mA.
  - DONINANT WAVELENGTH( $\lambda$ D), YELLOW = 588 $\pm$ 5nm TYP. at IF=20mA
  - FORWARD VOLTAGE(VF), YELLOW 2.1V TYP. at IF=20mA.
  - DONINANT WAVELENGTH( $\lambda$ D), ORANGE = 605 $\pm$ 5nm TYP. at IF=20mA
  - FORWARD VOLTAGE(VF), ORANGE 2.1V TYP. at IF=20mA.
  - DONINANT WAVELENGTH( $\lambda$ D), ULTRA LOW WAVELENGTH GREEN(ULWG) 525nm TYP. at IF=20mA
  - FORWARD VOLTAGE(VF), ULTRA LOW WAVELENGTH GREEN(ULWG) 2.8V TYP. at IF=20mA.

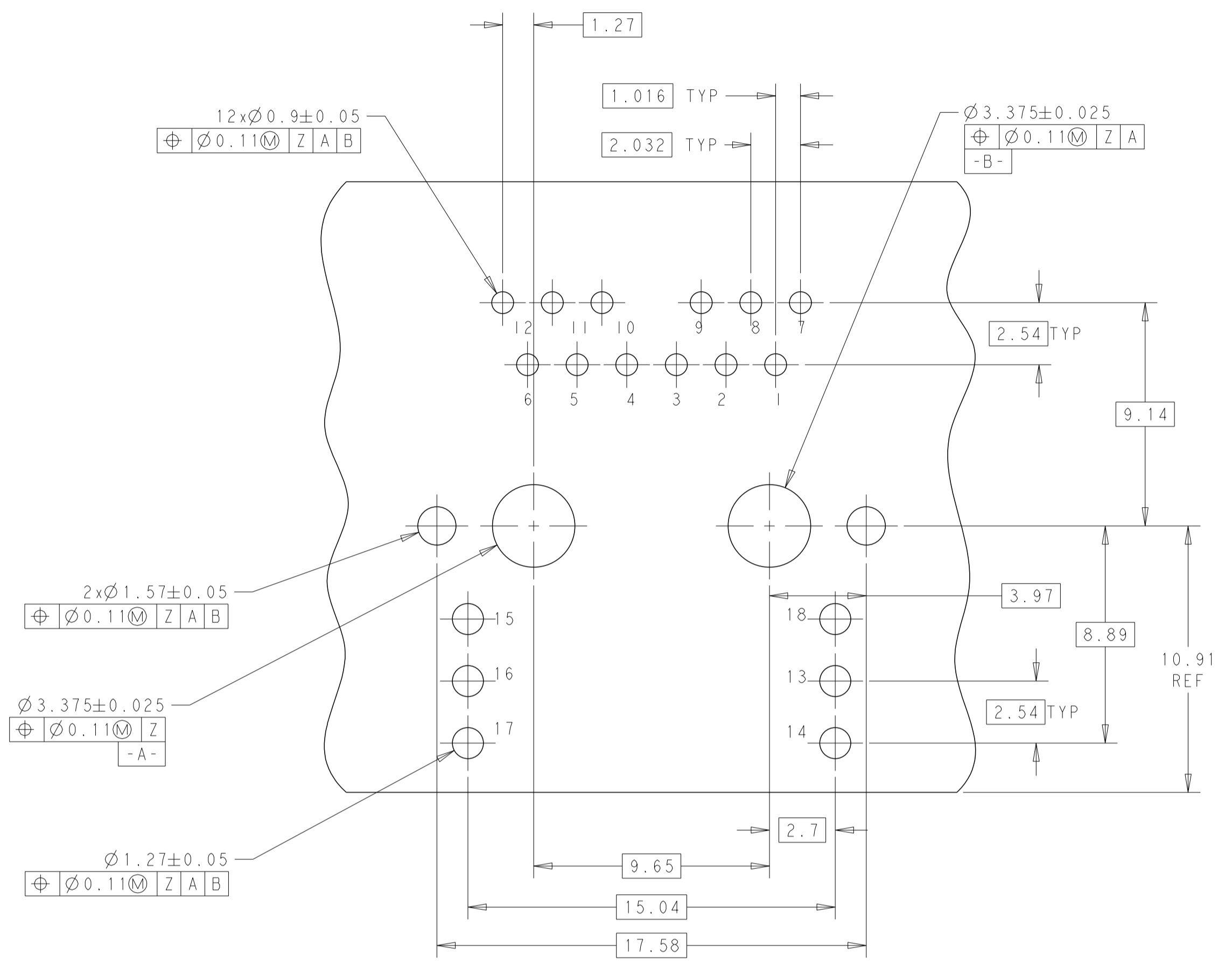
△ TRP CONNECTOR LOGO, PART NUMBER, DATE CODE, COUNTRY OF ORIGIN AND AGENCY APPROVAL MARKING IN APPROXIMATE LOCATION SHOWN.

△ THESE PARTS ARE COMPLIANT TO WAVE SOLDERING PROCESS, PREHEAT TEMPERATURE IS 120°C TO 160°C, 120 SECONDS TO 180 SECONDS, PEAK SOLDERING TEMPERATURE IS 260°C MAX, 10 SECONDS MAX

△ THESE PARTS ARE COMPLIANT TO IR REFLOW SOLDERING PROCESS, PEAK SOLDERING TEMPERATURE 260°C MAX DURATION TIME 10 SECONDS MAX, OVER 230°C WITHIN 40-60 SECONDS.

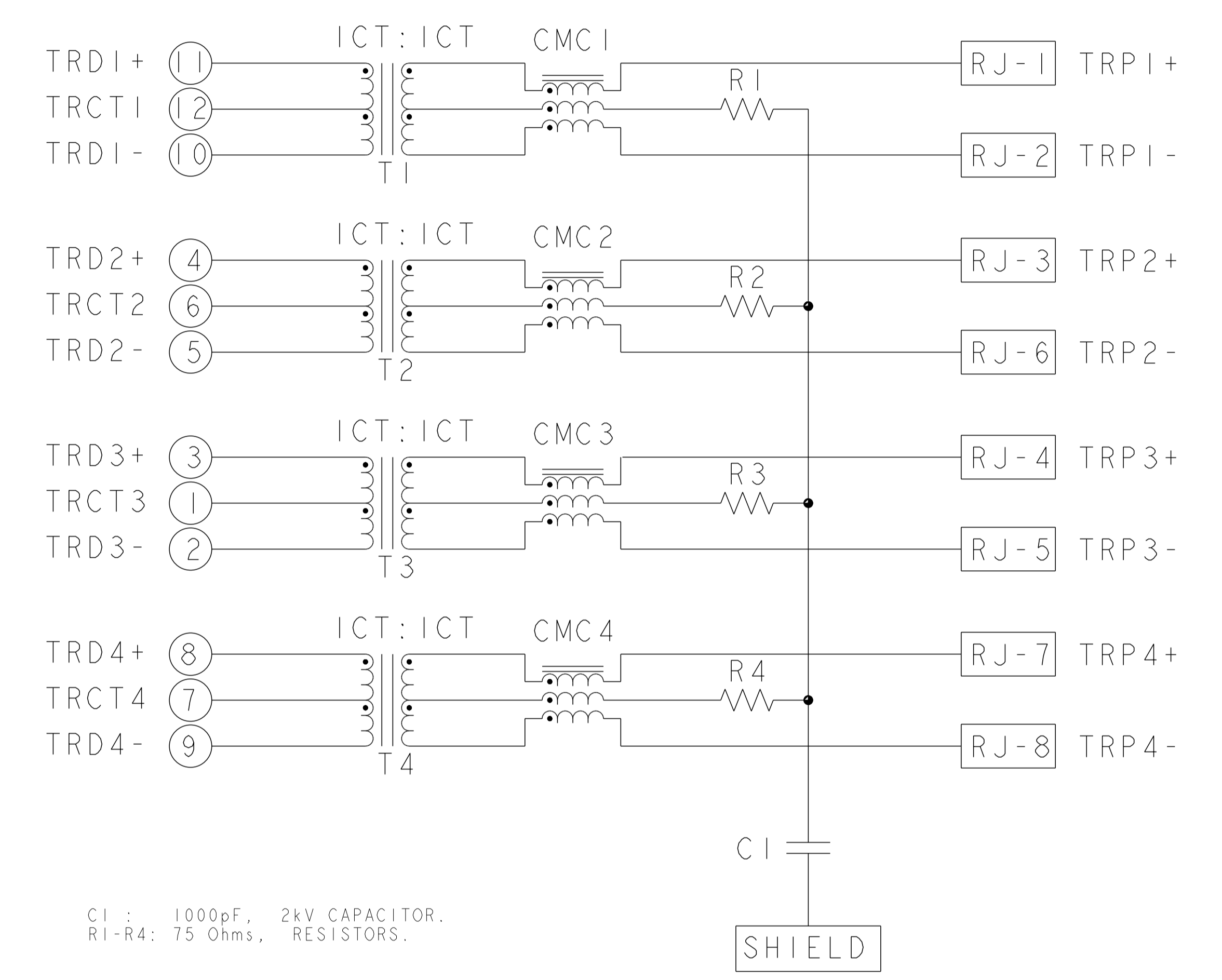
NO	3.18	0.76	TRAY	WAVE SOLDERING	△	YELLOW	GREEN	-	-	-	GREEN	2-2250290-1
NO	3.18	0.76	TRAY	WAVE SOLDERING	△	ORANGE	GREEN	-	-	-	YELLOW	1-2250290-4
NO	3.18	0.76	TRAY	WAVE SOLDERING	△	YELLOW	ULWG	-	-	-	ULWG	1-2250290-1
NO	2.35	0.76	REEL	IR REFLOW	△	YELLOW	GREEN	-	-	-	GREEN	2250290-8
TOP ONLY	3.18	0.76	REEL	WAVE SOLDERING	△	-	-	GREEN	ORANGE	GREEN	-	2250290-7
TOP AND SIDES	3.18	0.76	REEL	IR REFLOW	△	ORANGE	GREEN	-	-	-	GREEN	2250290-6
TOP AND SIDES	2.79	1.27	REEL	IR REFLOW	△	-	ORANGE	GREEN	-	ORANGE	GREEN	2250290-5
TOP AND SIDES	3.55	0.76	TRAY	WAVE SOLDERING	△	YELLOW	GREEN	-	-	-	GREEN	2250290-4
TOP AND SIDES	3.18	0.76	TRAY	WAVE SOLDERING	△	YELLOW	GREEN	-	-	-	GREEN	2250290-3
TOP AND SIDES	2.30	0.76	TARY	IR REFLOW	△	YELLOW	GREEN	-	-	-	GREEN	2250290-2
TOP AND SIDES	3.18	0.76	TRAY	IR REFLOW	△	YELLOW	GREEN	-	-	-	GREEN	2250290-1
GROUND TABS	DIM A	GOLD PLATING THICKNESS	PACKAGE METHOD	SOLDERING PROCESS		16 $\rightarrow$ 15	16 $\rightarrow$ 17	17 $\rightarrow$ 16	13 $\rightarrow$ 18	13 $\rightarrow$ 14	14 $\rightarrow$ 13	PART NO.
						LED 2			LED 1			

THIS DRAWING IS A CONTROLLED DOCUMENT AND COMPLIANT TO ASME Y14.5M		CHK: ROY LIU 09JUL2015	DONGGUAN CHINA a bel group
DIMENSIONS: mm		TOWER YU / BILL LIU 09JUL2015 APVD: TONY YUAN 09JUL2015	
DIMENSIONS: mm 0 PLC $\pm$ 0.25 1 PLC $\pm$ 0.25 2 PLC $\pm$ 0.25 3 PLC $\pm$ 0.25 4 PLC $\pm$ 0.25 ANGLES $\pm$ 0.5 APPLICATION SPEC $\pm$ 0.5		MODEL NAME: MAGJACK SINGLE Non-PoE	DESC: IXI IG18 GIGABIT TAB UP LOW PROFILE W/ LED SIZE: A1 CAGE CODE: C=2250290 DRAWING NO: 108-104004
PRODUCT SPEC: 108-104004		CUSTOMER DRAWING SCALE: 4:1 SHEET 1 OF 2 REV E	

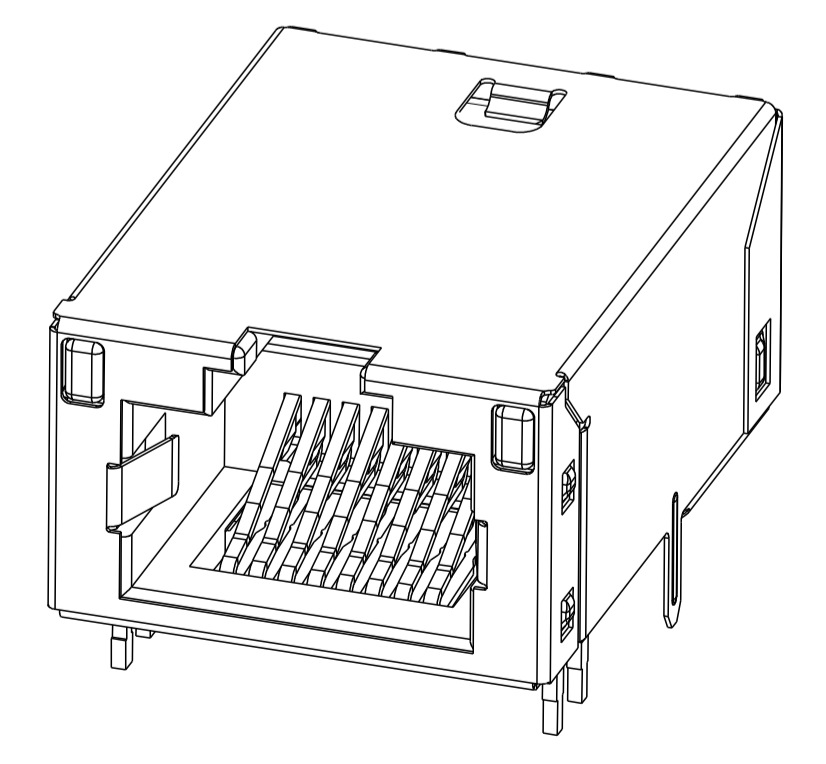


SUGGESTED PCB LAYOUT

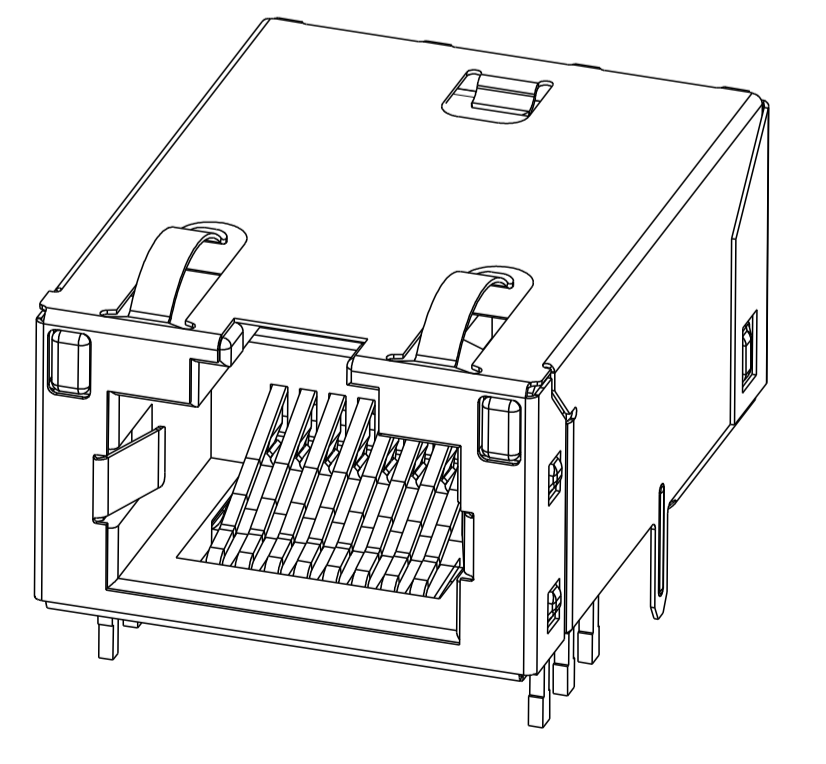
### IG18 GIGABIT CIRCUIT



C1 : 1000pF, 2kV CAPACITOR.  
 R1-R4: 75 Ohms, RESISTORS.



2250290-8  
 1-2250290-1  
 1-2250290-4  
 2-2250290-1  
 NO GROUND TABS



2250290-7  
 TOP GROUND TABS ONLY

THIS DRAWING IS A CONTROLLED DOCUMENT. AND COMPLIANT TO ASME Y14.5M		DWN: ROY LIU 09JUL2015 CHK: TOWER YU / BILL LIU 09JUL2015 APP'D: TONY YUAN 09JUL2015	DONGGUAN CHINA
DIMENSIONS: mm 0 PLC ±0.25 1 PLC ±0.25 2 PLC ±0.25 3 PLC ± 4 PLC ± ANGLES ± APPLICATION SPEC	TOLERANCES UNLESS OTHERWISE SPECIFIED:	MODEL NAME: MAGJACK DESC: SINGLE Non-PoE	
PRODUCT SPEC: 108-104004			RESTRICTED TO: CUSTOMER DRAWING SCALE: 4:1 SHEET: 2 OF 2 REV: E