

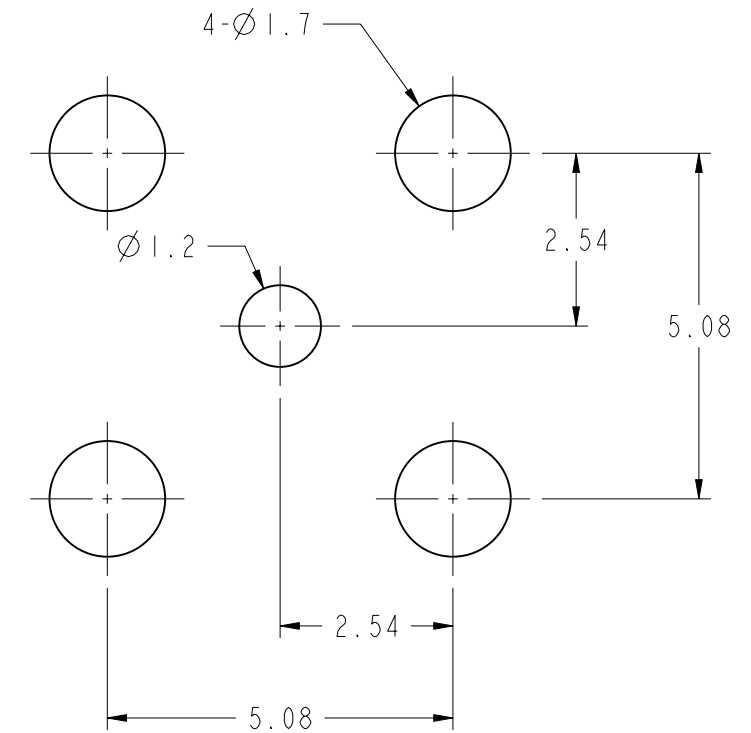
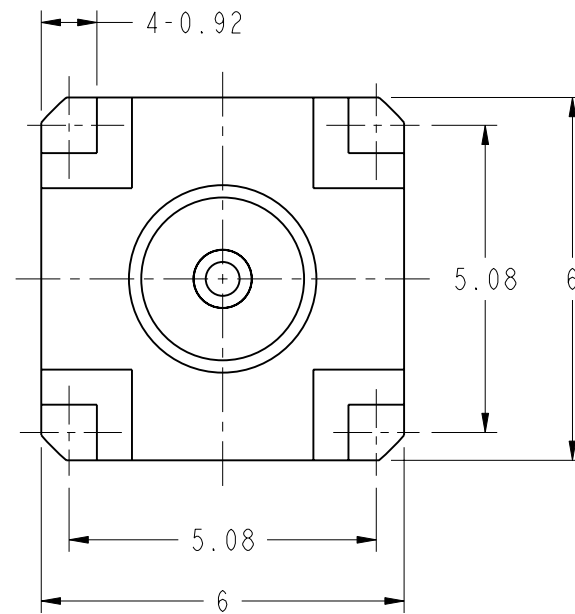
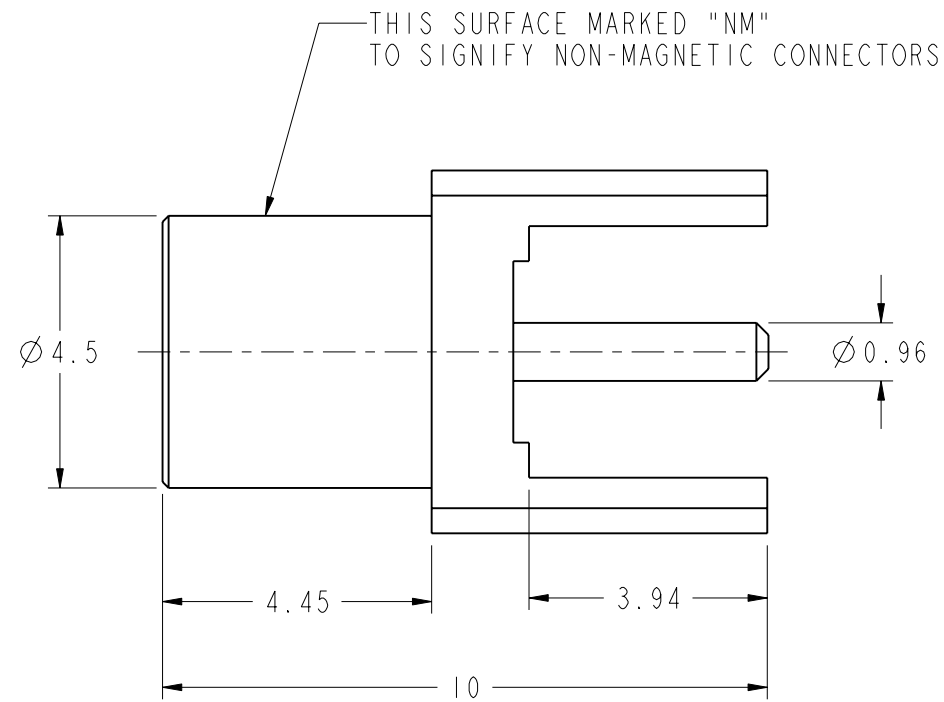
NOTES:

1. MATERIALS AND FINISHES(PLATING THICKNESS IN MICRO-INCHES):
 BODY - BERYLLIUM COPPER, GOLD PLATING
 CONTACT - BERYLLIUM COPPER, GOLD PLATING
 INSULATOR - PTFE, NATURAL
2. ELECTRICAL:
 A. IMPEDANCE: 50 OHM
 B. FREQUENCY RANGE: DC 0- 6 GHz
 C. VSWR(RETURN LOSS): 1.3 MAX.
 D. DIELECTRIC WITHSTANDING VOLTAGE: 1000 VRMS, MIN.
3. MECHANICAL:
 A. DURABILITY: 500 CYCLES MIN.
 B. TEMPERATURE RANGE: -40°C TO +155°C

THIRD ANGLE PROJ.

REVISIONS

| REV | DESCRIPTION | DATE | ECO | APPR |
|-----|----------------------------------|-----------|-------|------|
| A | RELEASE TO MFG. | 08-Aug-06 | 46108 | CW |
| B | SEE SHEET 1, AND RELEASE TO ARFA | 27-Oct-10 | 48320 | SH |



RECOMMENDED PCB MOUNTING HOLE

CUSTOMER OUTLINE DRAWING
 ALL OTHER SHEETS ARE FOR INTERNAL USE ONLY

UNLESS OTHERWISE SPECIFIED, DIMENSIONS ARE IN METRIC AND TOLERANCES ARE:
 <0.5mm ±0.05mm 0.5 - 6mm ±0.1mm 6 - 30mm ±0.2mm 30 - 120mm ±0.3mm ANGLES ±1°

NOTICE - These drawings, specifications, or other data (1) are, and remain the property of Amphenol corp. (2) must be returned upon request; and (3) are confidential and not to be disclosed to any person other than those to whom they are given by Amphenol Corp. the furnishing of these drawings, specifications, or other data by Amphenol Corp., or to any other person to anyone for any purpose is not to be regarded by implication or otherwise in any manner licensing, granting rights to permitting such holder or any other sperson to manufacture, use or sell any product, process or design, patented or otherwise, that may in any way be related to or disclosed by said drawings, specifications, or other data.

| | | | | | |
|------------------------------------|-------------------------------------|----------------|---|--------------|--|
| MATERIAL | DRAWN S.LI | DATE 25-Oct-10 | TITLE MCX P.C. BOARD STR. JACK NON MAGNETIC | | Amphenol RF Danbury CT USA, Tainan, Taiwan, Shenzhen, China www.amphenolrf.com |
| REFERENCE AND CONFIGURATION LEVEL: | ENGINEER GEFFERY | DATE 08-Aug-06 | | | |
| FINISH | APPROVED S.HSIEH | DATE 27-Oct-10 | SCALE: 8.0:1.0 | SHEET 2 OF 2 | DRAWING NO.919-NMI09J-51P |
| | CAD FILE Root Folder\919-NMI09J-51P | | DWG SIZE B | REV B | ITEM NO.919-NMI09J-51P |
| | | | | | PART NO.919-NMI09J-51P |