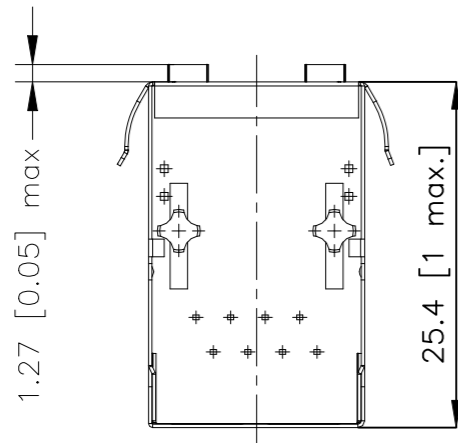
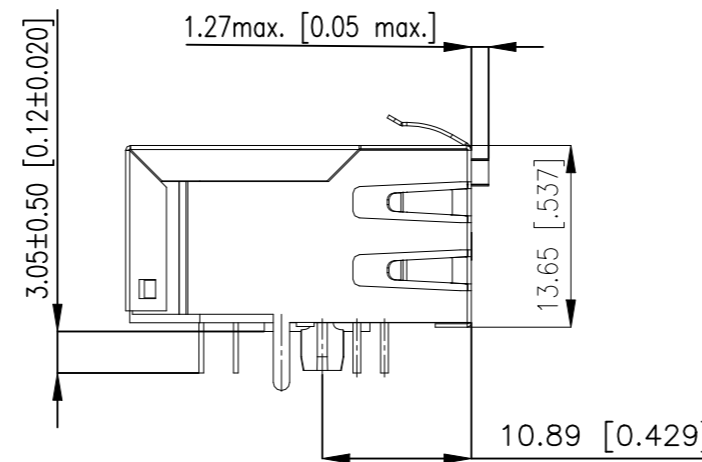
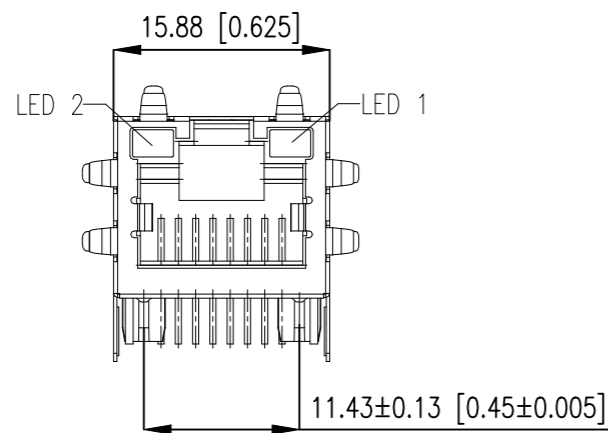
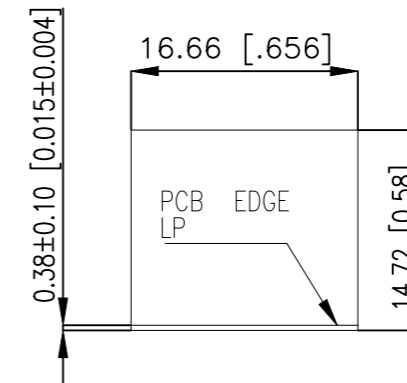


P	LTR	DESCRIPTION	DATE	DWN	APVD
	A2	GENERAL TOLERANCE ADDED	04JAN2024	NK	JDB



Empfohlener Frontplatten Ausschnitt  
Recommended panel cutout



LED Anweisung  
LED Specifications

	NO. IDENT.NR	LED 2 LEFT LED 2 LINK	LED 1 RIGHT LED 1 RECHTE	LED CODE
	203354-E	YELLOW	GREEN	L1
	203355-E	GREEN	YELLOW	L2
OBSOLET	230056-E	GREEN	GREEN	L3
OBSOLET	203358-E	ORANGE/ GREEN	ORANGE/ GREEN	L9

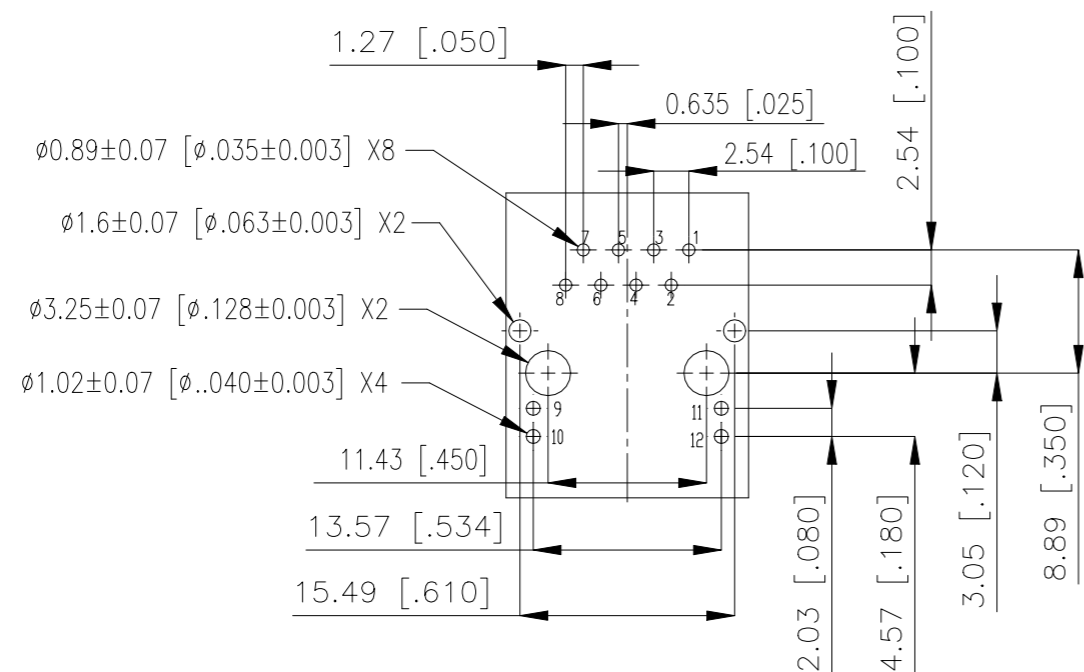
\*REVERSE LATCH

Materialien und Ausführung /Materials and finish:  
 Gehäuse /Housing: glasgefülltes Polyester UL 94 V-0 schwarz /  
 glass filled polyester UL 94 V-0 black  
 Abschirmung /Shielding Cu-Legierung, beschichtet mit Ni  
 Cu alloy, plated with Ni  
 Kontakte /Contacts: Phosphor bronze  
 Kontaktoberfläche /Contact finish: Au, 0,8 µm (30 µin), über Ni /  
 Au, 0.8 µm (30 µin), over Ni  
 Anschlussoberfläche /Terminal finish: Sn Pb  
 LED-Linse / LED lens: Epoxid / epoxy  
 Mechanische Eigenschaften /Mechanical characteristics:  
 Lebensdauer /Durability: 1000 Steckzyklen / 1000 mating cycles  
 Betriebstemperatur / Operating temperature: 0°C to 70°C

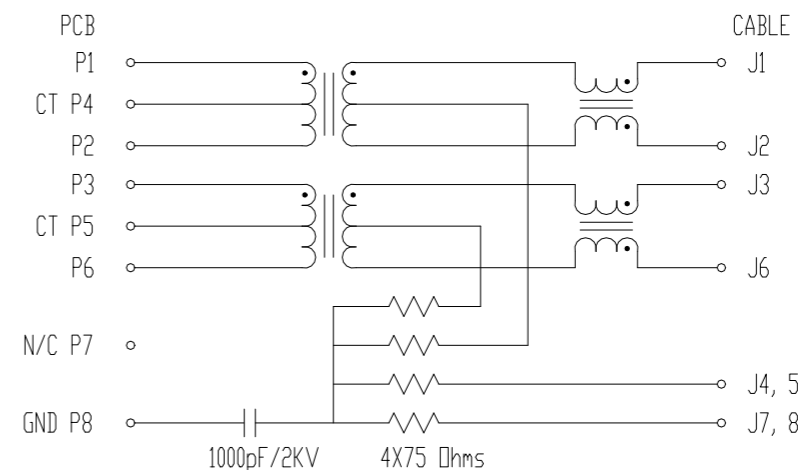
THIS DRAWING IS A CONTROLLED DOCUMENT.		DWN B S ADRUSH 04NOV2022	TE Connectivity Ltd.	
		CHK N MANTIKOU 06NOV2022		
		APVD J DE BRUIJN 06NOV2022	NAME	
DIMENSIONS: mm [INCHES]		PRODUCT SPEC 108-94889	Modular Jack MJIM 8C10T 1x1 INT. MAG LED*	
TOLERANCES UNLESS OTHERWISE SPECIFIED:		APPLICATION SPEC 114-94780	SIZE	CAGE CODE
0 PLC ± - 1 PLC ± - 2 PLC ± 0.20 [0.008] 3 PLC ± - 4 PLC ± - ANGLES ± -		WEIGHT -	A3	00779
MATERIAL -		FINISH -	DRAWING NO C-203354-E	
		CUSTOMER DRAWING		RESTRICTED TO -
		SCALE NTS	SHEET 1 OF 2	REV A2

P	LTR	DESCRIPTION	DATE	DWN	APVD
-	-	SEE SHEET 1	-	-	-

RECOMMENDED PCB LAYOUT (COMPONENT SIDE VIEW)  
 EMPFOHLENES LEITERPLATTEN-LAYOUT (BESTÜCKUNGSSEITE)  
 TOL ±0.05 [.002] UNLESS NOTED



Elektrischer Schaltplan - M3D01  
 Electrical schematics - M3D01



MAGNETICS SPECIFICATIONS @ 25°C  
 AUTO MDIX COMPATIBLE  
 TURNS RATIO:  
 (P1-P2 : J1-J2) 1CT:1CT ±3%  
 (P3-P6 : J3-J6) 1CT:1CT ±3%  
 OCL(100 KHz, 0.1 V, 8 mA)  
 (P1-P2, P3-P6) 350 µH MIN  
 DCR (P1-P2, P3-P6) 0.9 OHMS MAX  
 INSERTION LOSS:  
 0.1-100 MHz -1.1 dB MAX  
 RETURN LOSS:  
 0.5 - 30 MHz -18 dB MIN  
 40 MHz -15.5 dB MIN  
 50 MHz -13.6 dB MIN  
 60 - 80 MHz -12 dB MIN  
 CROSSTALK:  
 1-100 MHz -40 dB TYP  
 CMR:  
 0.1 - 30 MHz -50 dB TYP  
 30 - 60 MHz -40 dB TYP  
 60 - 100 MHz -35 dB TYP  
 ISOLATION 1500 Vrms

YELLOW	2.1	2.5	20	$\phi 9$	$\phi 11$
GREEN	2.2	2.5	20	$\phi 9$	$\phi 12$
RED	2.25	2.5	20	$\phi 9$	$\phi 12$
ORANGE/GREEN	2.05/2.2	2.5	20	$\phi 9$	$\phi 11$
Farbe Color	Vf Typ	Vf Max	If mA	Schaltplan / circuit diagramm	

\*REVERSE LATCH

THIS DRAWING IS A CONTROLLED DOCUMENT.		DWN B S ADRUSH 04NOV2022	TE Connectivity Ltd.		
		CHK N MANTIKOU 06NOV2022			
		APVD J DE BRUIJN 06NOV2022	NAME		
DIMENSIONS: mm [INCHES]		PRODUCT SPEC 108-94889	Modular Jack MJIM 8C10T 1x1 INT. MAG LED*		
		APPLICATION SPEC 114-94780	SIZE	CAGE CODE	DRAWING NO
MATERIAL		WEIGHT	A3	00779	C-203354-E
		CUSTOMER DRAWING	SCALE	SHEET	REV
			NTS	2 OF 2	A2