

PLEASE CHECK WWW.MOLEX.COM FOR LATEST PART INFORMATION

Part Number: **0473001040**
Status: **Active**
Overview: slimline serial ata odd connectors
Description: 1.00mm, 1.27mm Pitch Slimline Serial ATA Plug for Optical Disk Drive with Fitting Type Soldering Nail, Right Angle, Gold (Au) Flash Plating, with Pegs, Lead-Free

Documents:

[3D Model](#) [Product Specification PS-47300-001 \(PDF\)](#)
[Drawing \(PDF\)](#) [RoHS Certificate of Compliance \(PDF\)](#)

Agency Certification

CSA LR19980

General

Product Family PCB Headers
 Series 47300
 Application Board-to-Board, Signal
 Comments Fitting Standard Type
 Overview slimline serial ata odd connectors
 Product Name Serial ATA, Slimline Serial ATA

Physical

Breakaway No
 Circuits (Loaded) 13
 Circuits (maximum) 13
 Durability (mating cycles max) 500
 First Mate / Last Break Yes
 Flammability 94V-0
 Glow-Wire Compliant No
 Guide to Mating Part Yes
 Keying to Mating Part Yes
 Lock to Mating Part No
 Material - Plating Mating Gold
 Material - Plating Termination Tin
 Material - Resin High Temperature Thermoplastic
 Number of Rows 1
 Orientation Right Angle
 PCB Locator Yes
 PCB Retention Yes
 Packaging Type Embossed Tape on Reel
 Pitch - Mating Interface 1.00mm, 1.27mm
 Pitch - Termination Interface 1.00mm, 1.27mm
 Plating min - Mating 0.051µm
 Plating min - Termination 1.016µm
 Polarized to Mating Part Yes
 Polarized to PCB Yes
 Stackable No
 Temperature Range - Operating -35°C to +85°C
 Termination Interface: Style Surface Mount

Electrical

Current - Maximum per Contact 1.5A
 Voltage - Maximum 15V DC

Solder Process Data

Duration at Max. Process Temperature (seconds) 10
 Lead-free Process Capability Reflow Capable (SMT only)

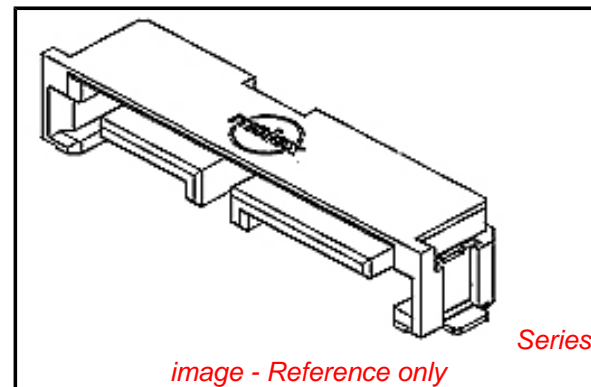


image - Reference only

EU RoHS

ELV and RoHS Compliant
REACH SVHC Contains SVHC: No
Low-Halogen Status Low-Halogen

China RoHS



Need more information on product environmental compliance?

Email productcompliance@molex.com
 For a multiple part number RoHS Certificate of Compliance, [click here](#)

Please visit the [Contact Us](#) section for any non-product compliance questions.

Search Parts in this Series

47300Series

Mates With

47628 , 47639 , 47645 , 47650 , 78380 , 48321 , 48325 , 48330 , 48336 , 47657
 Slimline Serial ATA Receptacles

Max. Cycles at Max. Process Temperature	1
Process Temperature max. C	260

Material Info

Reference - Drawing Numbers

Product Specification	PS-47300-001
-----------------------	--------------

This document was generated on 01/24/2012

PLEASE CHECK WWW.MOLEX.COM FOR LATEST PART INFORMATION