

THE INFORMATION CONTAINED HEREIN IS CONSIDERED "PROPRIETARY" TO BEL FUSE INC. AND SHALL NOT BE COPIED, REPRODUCED OR DISCLOSED WITHOUT THE WRITTEN APPROVAL OF BEL FUSE INC.

LED 2 & 4 POLARITY		LED 1 & 3 POLARITY	
PIN 13	PIN 14	PIN 15	PIN 16
+	-	+	-
YELLOW	YELLOW	+	+
		-	DRANGE

**ELECTRICAL CHARACTERISTICS @ 25°C**

**TURNS RATIO**

TP1 1CT : 1CT  
 TP2 1CT : 1CT  
 TP3 1CT : 1CT  
 TP4 1CT : 1CT

**INS. LOSS (MAX)**

1MHz TO 20MHz -0.8 dB  
 50MHz -1.0 dB  
 200MHz -1.2 dB  
 400MHz -2.0 dB  
 500MHz -3.0 dB

**RET. LOSS (MIN) \_FORM TESTING**

1MHz -20 dB  
 2MHz -20 dB  
 100MHz -20 dB  
 200MHz -17 dB  
 300MHz -13 dB  
 400MHz -10 dB  
 500MHz -6 dB

**CM TO DM REJ**

1MHz - 500MHz -30 dB MIN  
 HIPOT (Isolation Voltage): 2250VDC

100% OF PRODUCTION TESTED TO COMPLY WITH IEEE 802.3 ISOLATION REQUIREMENTS.

**LED 1 & 3**

VF (FORWARD VOLTAGE) IF=20mA GREEN 2.2V TYP.  
 ORANGE 2.0V TYP.  
 AD (DOMINANT WAVELENGTH) IF=20mA GREEN 570nm TYP.  
 ORANGE 605nm TYP.

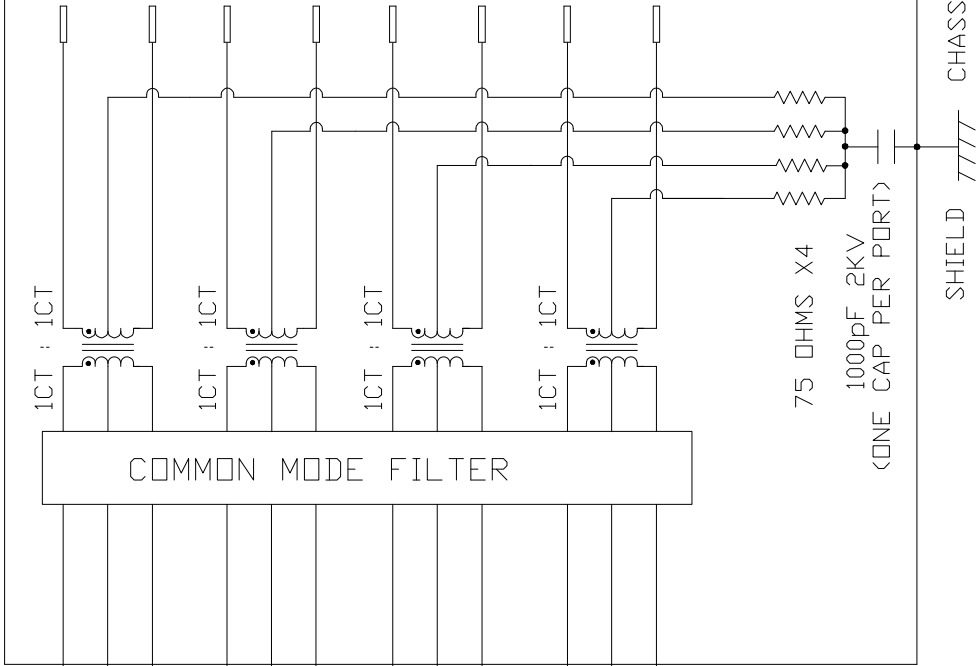
**LED 2 & 4**

VF (FORWARD VOLTAGE) IF=20mA YELLOW 2.1V TYP.  
 AD (DOMINANT WAVELENGTH) IF=20mA YELLOW 590nm TYP.  
 OPERATING TEMPERATURE: -40°C TO +85°C.



RJ45

**SCHEMATIC**

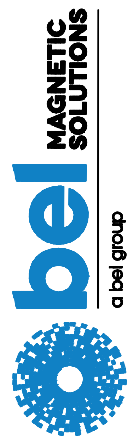


REV. : 1 PAGE : 2

STANDARD DIM. TOL. IN INCH	[ ] METRIC DIM. AS REF.
.X	UNIT : INCH [mm]
.XX	SCALE : N/A
.XXX	SIZE : A4

PART NO. / DRAWING NO.	G23-21YR-112-L
FILE NAME	G23-21YR-112-L_1.DWG

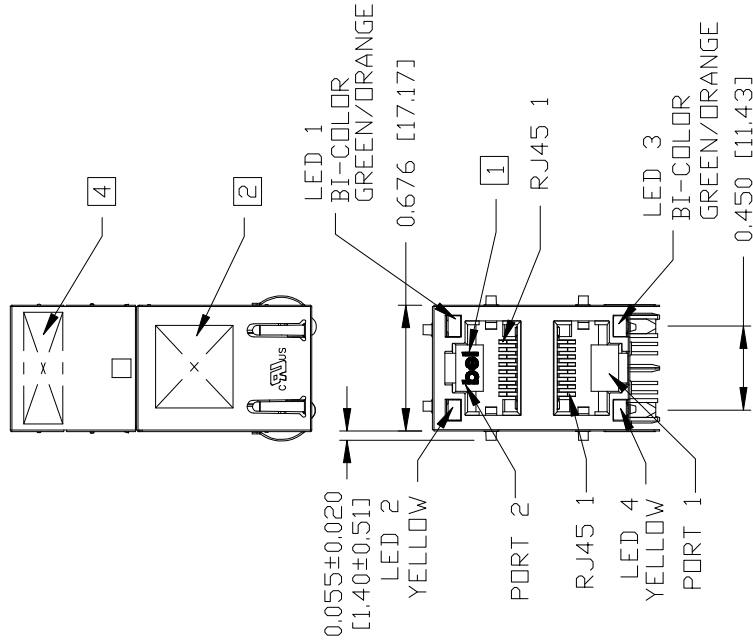
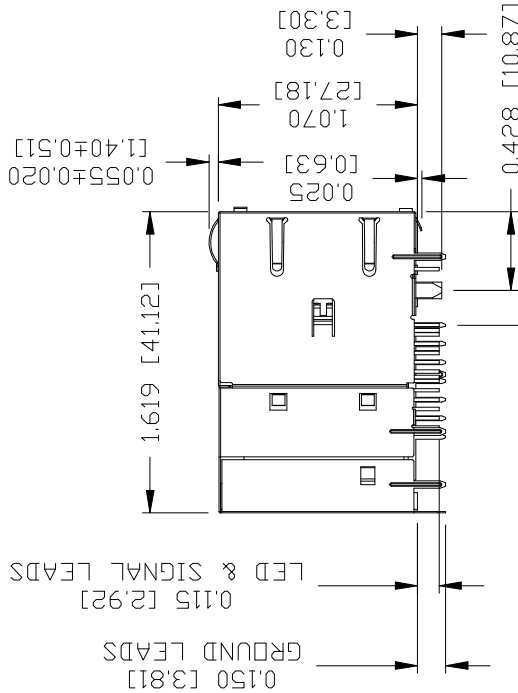
ORIGINATED BY	CHOW WANCHUNG	TITLE	2X1 10 Gigabit MagJack®
DATE	2023-08-07		
DRAWN BY	YI LIU		PATENTED
DATE	2023-08-07		



This document is electronically generated. This is a controlled copy if used internally

3002(2)120214

THE INFORMATION CONTAINED HEREIN IS CONSIDERED "PROPRIETARY" TO BEL FUSE INC. AND SHALL NOT BE COPIED, REPRODUCED OR DISCLOSED WITHOUT THE WRITTEN APPROVAL OF BEL FUSE INC.



**NOTES:**

1. PLASTIC HOUSING: THERMOPLASTIC PBT, BLACK.

2. FLAMMABILITY RATING UL 94V-0

3. CONTACT PLATING: 50 MICRO-INCH HARD GOLD PLATING OR EQUIVALENT

4. OUTPUT PINS: TIN-COATED COPPER WIRE, DIA 0.018 INCH.

5. 100 MICRO-INCH MIN MATTE TIN. PINS ARE SOLDER DIPPED.

6. METAL SHIELD: NICKEL PLATED ON COPPER ALLOY.

7. (ALL GROUND LEADS ARE SOLDER DIPPED)

8. [1] JACK CAVITY CONFORMS TO FCC RULES AND REGULATIONS,

9. PART 68 SUBPART F.

10. [2] MARK PART WITH MFG LOGO, NAME, PART NUMBER AND DATE CODE.

3. THE PRODUCT IS RoHS COMPLIANT

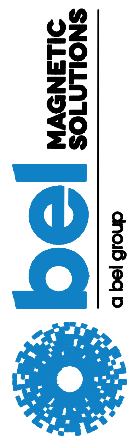
4. c UsUL RECOGNIZED - FILE #E169987.

5. [4] THE PRODUCT IS PATENTED. "PATENTED" MARKING IS ON THE TOP SURFACE. THE PATENT NUMBER ARE U.S. PAT. 7,429,195 & U.S. PAT. 6,840,817 & U.S. PAT. 7,123,117 AND U.S. PAT. 7,924,130.

6. 5. THE AXIAL RETENTION FORCE OF RJ PORT IS 15LBS MIN.

7. 6. THE PART IS RECOMMENDED FOR WAVE SOLDERING. THE SUGGESTED PEAK WAVE SOLDERING CONDITION IS 260°C MAX AND 10 SECONDS MAX.

ORIGINATED BY TONY YUAN	PART NO. / DRAWING NO. G23-21YR-112-L	STANDARD DIM. TOL. IN INCH	[ ] METRIC DIM. AS REF.
DATE 2023-08-07	FILE NAME G23-21YR-112-L-1.DWG	.X	UNIT : INCH [mm]
DRAWN BY JARRY YE	TITLE 2X1 10 Gigabit MagJack® PATENTED	.XX	SCALE : N/A
DATE 2023-08-07		.XXX	±0.010
			SIZE : A4



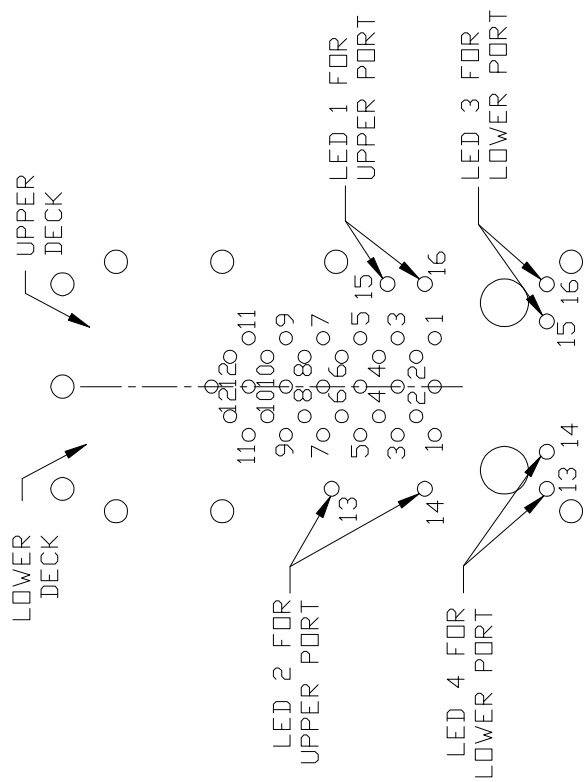
This document is electronically generated. This is a controlled copy if used internally

3002(2)120214

THE INFORMATION CONTAINED HEREIN IS CONSIDERED "PROPRIETARY" TO BEL FUSE INC. AND SHALL NOT BE COPIED, REPRODUCED OR DISCLOSED WITHOUT THE WRITTEN APPROVAL OF BEL FUSE INC.

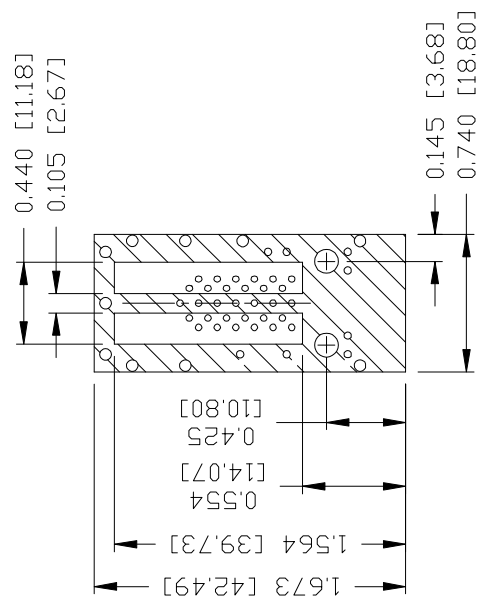


PORT ASSIGNMENT  
(COMPONENT SIDE VIEW)



PIN-OUT INFORMATION  
(COMPONENT SIDE VIEW)

10	TRD4+
9	TRCT3
8	TRD3-
7	TRD3+
6	TRCT2
5	TRD2-
4	TRD2+
3	TRCT1
2	TRD1-
1	TRD1+
16	ORANGE(+)/GREEN(-)
15	ORANGE(-)/GREEN(+)
14	YELLOW (-)
13	YELLOW (+)
12	TRCT4
11	TRD4-

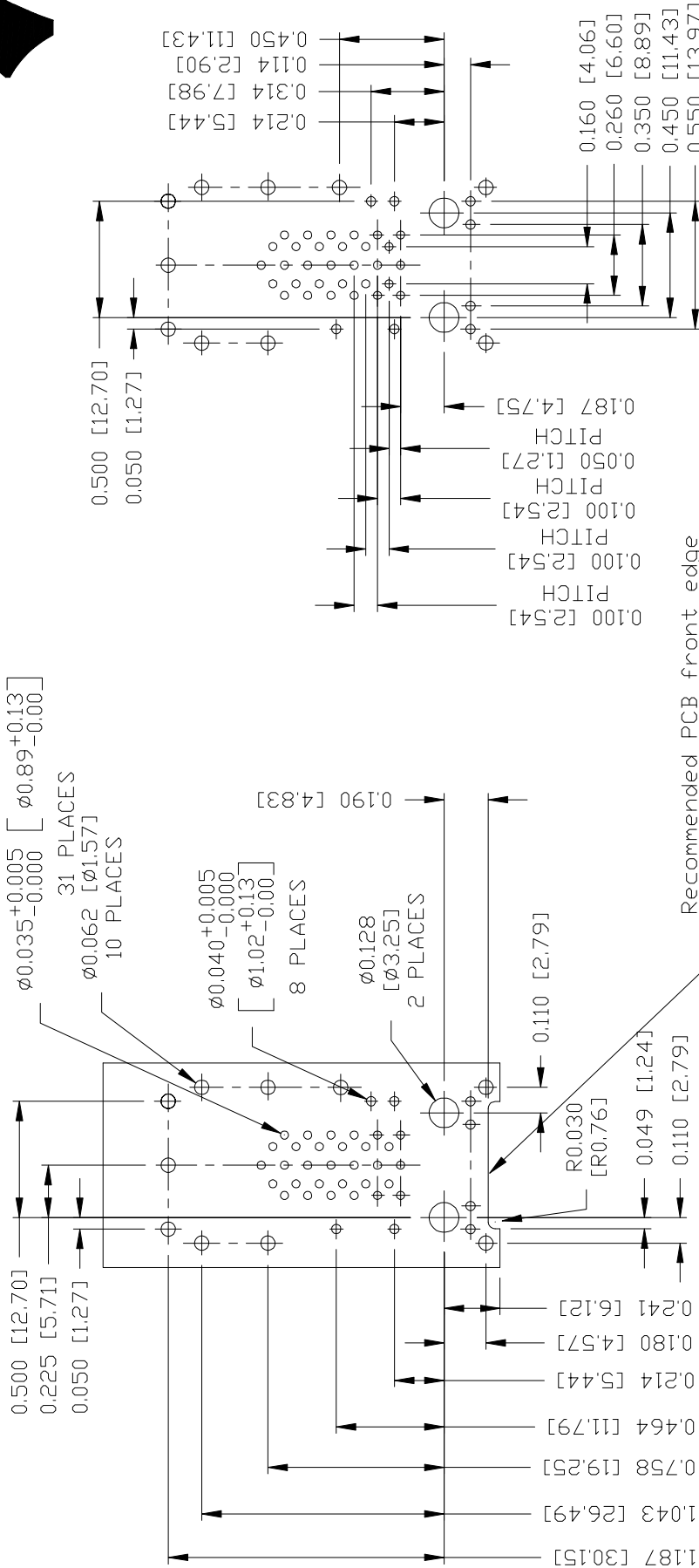


THE SHADED AREA ON THE CUSTOMER BOARD ARE RECOMMENDED TO BE CLEAR OFF ANY VIA HOLE OR COMPONENT PAD.

ORIGINATED BY TONY YUAN	PART NO. / DRAWING NO. G23-21YR-112-L	STANDARD DIM. TOL. IN INCH	[ ] METRIC DIM. AS REF.	REV. : 1	PAGE : 4
DATE 2023-08-07	FILE NAME G23-21YR-112-L_1.DWG	.X	UNIT : INCH [mm]		
DRAWN BY JARRY YE	PATENTED	.XX	SCALE : N/A		
DATE 2023-08-07		.XXX	±0.004		
3002(2)120214			SIZE : A4		
 <b>MAGNETIC SOLUTIONS</b> a bel group					

This document is electronically generated. This is a controlled copy if used internally

THE INFORMATION CONTAINED HEREIN IS CONSIDERED "PROPRIETARY" TO BEL FUSE INC. AND SHALL NOT BE COPIED, REPRODUCED OR DISCLOSED WITHOUT THE WRITTEN APPROVAL OF BEL FUSE INC.



Recommended PCB front edge cutout. The bottom shield ground tabs (front) should not be seated on the top of the PCB.

SUGGESTED FOOTPRINT  
(COMPONENT SIDE VIEW)

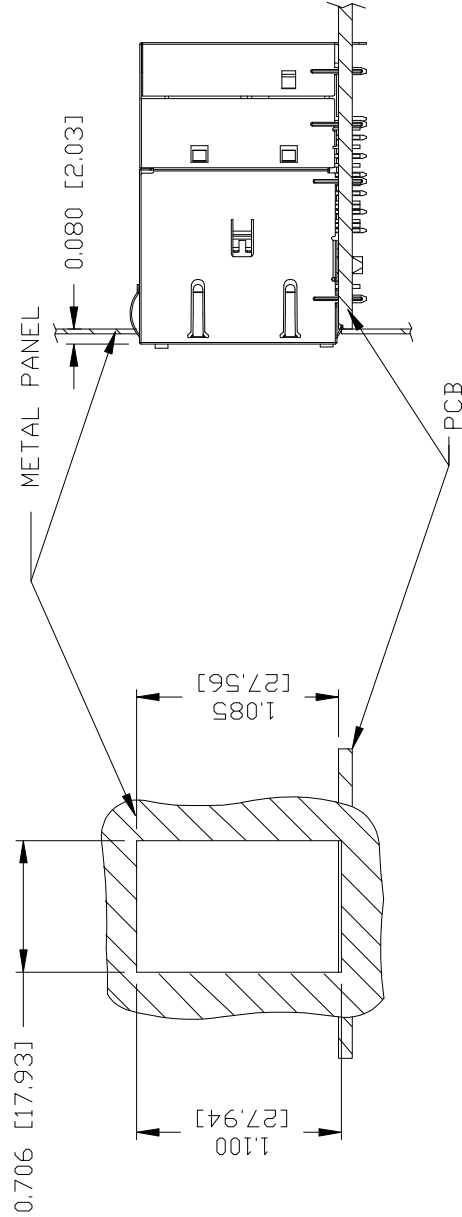
REV. : 1		PAGE : 5	
<b>STANDARD DIM.</b> TOL. IN INCH [ ] METRIC DIM. AS REF.		<b>PART NO. / DRAWING NO.</b> G23-21YR-112-L	
.X UNIT : INCH [mm]		FILE NAME G23-21YR-112-L_1.DWG	
.XX SCALE : N/A		TITLE 2X1 10 Gigabit MagJack®	
.XXX ±0.004		PATENTED	
SIZE : A4		ORIGINATED BY TONY YUAN	
		DATE 2023-08-07	
		DRAWN BY JARRY YE	
		DATE 2023-08-07	

This document is electronically generated. This is a controlled copy if used internally

THE INFORMATION CONTAINED HEREIN IS CONSIDERED "PROPRIETARY" TO BEL FUSE INC. AND SHALL NOT BE COPIED, REPRODUCED OR DISCLOSED WITHOUT THE WRITTEN APPROVAL OF BEL FUSE INC.



SUGGESTED PANEL OPENING



NOTE:

THE DISTANCE OF PANEL INSIDE SURFACE RELATIVE TO FRONT SURFACE OF PART IS ONLY A SUGGESTION. IN CASE THIS DISTANCE IS DIFFERENT, THE REQUIRED PANEL OPENING DIMENSIONS CHANGE ACCORDINGLY.

PACKING INFORMATION

PACKING TRAY : 0200M9999-P3 (TOP)  
0200M9999-P2 (BOTTOM)

PACKING QUANTITY : 18 PCS FINISHED GOODS PER TRAY.

9 TRAYS (162 PCS FINISHED GOODS) PER CARTON BOX.

REMARK : CARDBOARDS ARE PLACED BETWEEN LAYERS OF PACKING TRAY INSIDE CARTON BOX.  
(INCLUDE THE UPPERMOST AND LOWERMOST TRAY)

REV. : 1		PAGE : 6	
 a bel group		STANDARD DIM. [ ] METRIC DIM. AS REF. TOL. IN INCH .X UNIT : INCH [mm] .XX SCALE : N/A .XXX ±0.005 SIZE : A4	
ORIGINATED BY TONY YUAN DATE 2023-08-07 DRAWN BY JARRY YE DATE 2023-08-07		PART NO. / DRAWING NO. G23-21YR-112-L FILE NAME G23-21YR-112-L_1.DWG	
TITLE 2X1 10 Gigabit MagJack® PATENTED			

This document is electronically generated. This is a controlled copy if used internally

3002(2)120214