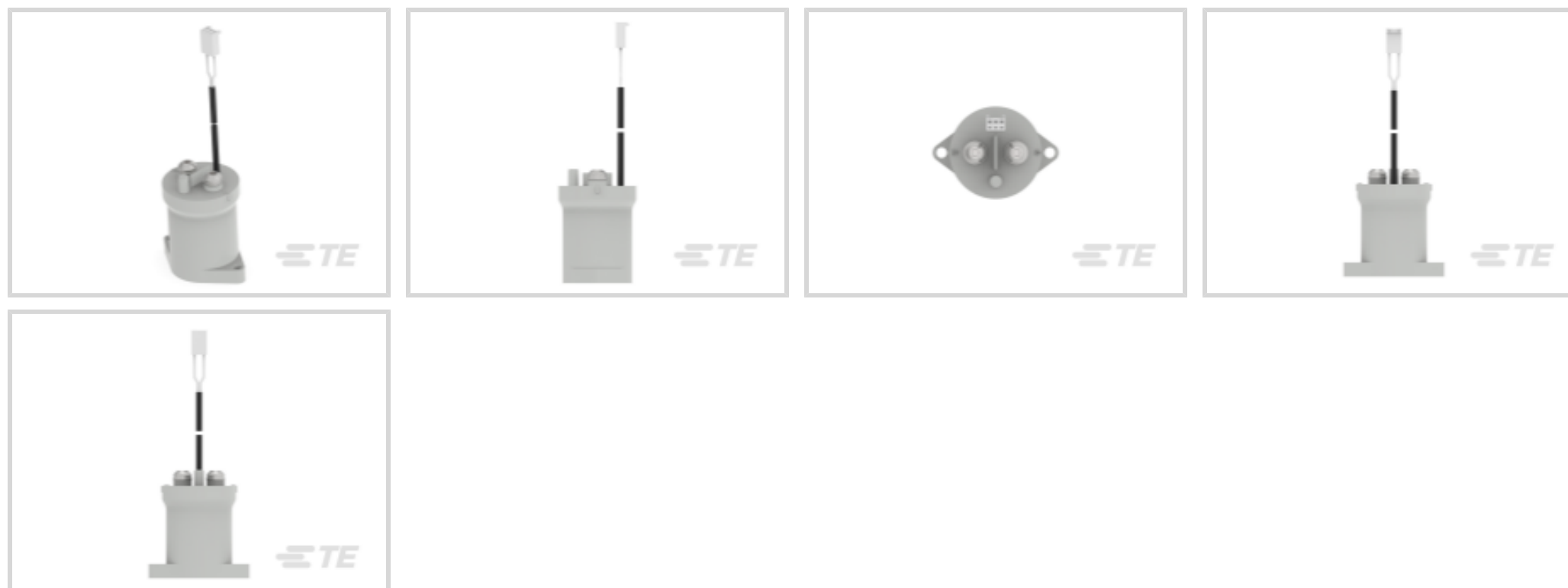


LEV100A5ANG10 ✓ ACTIVE

TE Internal #: 1-1618409-5

TE Internal Description: LEV100A5ANG10=RELAY, SPST-NO W /CONNECTOR

[View on TE.com >](#)



Product Compliance

[For compliance documentation, visit the product page on TE.com>](#)

EU RoHS Directive 2011/65/EU	Compliant with Exemptions
EU ELV Directive 2000/53/EC	Compliant with Exemptions
China RoHS 2 Directive MIIT Order No 32, 2016	Restricted Materials Above Threshold
EU REACH Regulation (EC) No. 1907/2006	Current ECHA Candidate List: JAN 2024 (240) Candidate List Declared Against: JAN 2023 (233) SVHC > Threshold: Pb (.35% in Component Part) Article Safe Usage Statements: Do not eat, drink or smoke when using this product. Wash thoroughly after handling. Recycle if possible and dispose of the article by following all applicable governmental regulations relevant to your geographic location.
Halogen Content	Not Yet Reviewed for halogen content
Solder Process Capability	Not applicable for solder process capability

Product Compliance Disclaimer

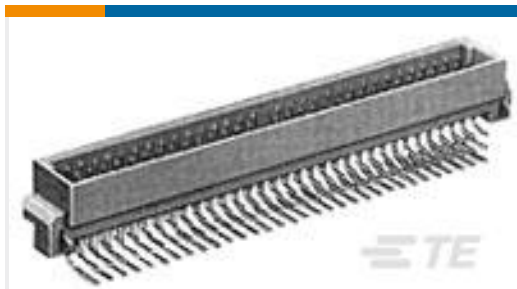
This information is provided based on reasonable inquiry of our suppliers and represents our current actual knowledge based on the information they provided. This information is subject to change. The part numbers that TE has identified as EU RoHS compliant have a maximum concentration of 0.1% by weight in homogenous materials for lead, hexavalent chromium, mercury, PBB, PBDE, DBP, BBP, DEHP, DIBP, and 0.01% for cadmium, or qualify for an exemption to these limits as defined in the Annexes of Directive 2011/65/EU (RoHS2). Finished electrical and electronic equipment products will be CE marked as required by Directive 2011/65/EU. Components may not be CE marked. Additionally, the part numbers that TE has identified as EU ELV compliant have a maximum concentration of 0.1% by weight in homogenous materials for lead, hexavalent chromium, and mercury, and 0.01% for cadmium, or qualify for an exemption to these limits as defined in the Annexes of Directive 2000/53/EC (ELV). Regarding the REACH Regulation, the information TE provides on SVHC in articles for this part number is based on the latest European Chemicals Agency (ECHA) 'Guidance on requirements for substances in articles' posted at this URL: <https://echa.europa.eu/guidance-documents/guidance-on-reach>

Compatible Parts



TE Part # 6-1618388-7
LEV200H5ANF=RELAY, SPST-NO

Customers Also Bought



TE Part # 5650916-5
ASSY,PIN,EUROCARD,TYPE C/2,LEA



TE Part # 1-640445-1
11P MTA156 HDR ASSY FL/STR SN



TE Part # 1734099-4
Champ 050 series,plug assembly



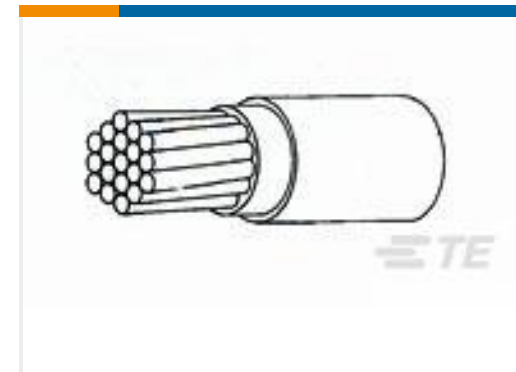
TE Part # 1734037-4
Champ 050 series,40pos,Au over PdNi



TE Part # 2-6450832-5
MBXL R/A HEADER 5P+ 2LP + 24S



TE Part # 1-6600132-5
MBXL R/A HDR DB 2ACP + 12S + 1P



TE Part # 282023-000
44A0111-20-3



TE Part # 1551920-4
zQSFP+ connector assembly



TE Part # 2204861-2
MULTI-BEAM HD R/A PLUG 2P+15S
EXTEND PLA

Documents

CAD Files

Customer View Model

[ENG_CVM_CVM_1-1618409-5_A.3d_igs.zip](#)

English

3D PDF

3D

Customer View Model

[ENG_CVM_CVM_1-1618409-5_A.3d_stp.zip](#)

English

LEV100A5ANG10

LEV100A5ANG10=RELAY, SPST-NO W/CONNECTOR



Customer View Model

[ENG_CVM_CVM_1-1618409-5_A.2d_dxf.zip](#)

English

By downloading the CAD file I accept and agree to the [Terms and Conditions](#) of use.

Datasheets & Catalog Pages

[Kilovac LEV100 Series 900 Vdc Contactor](#)

English