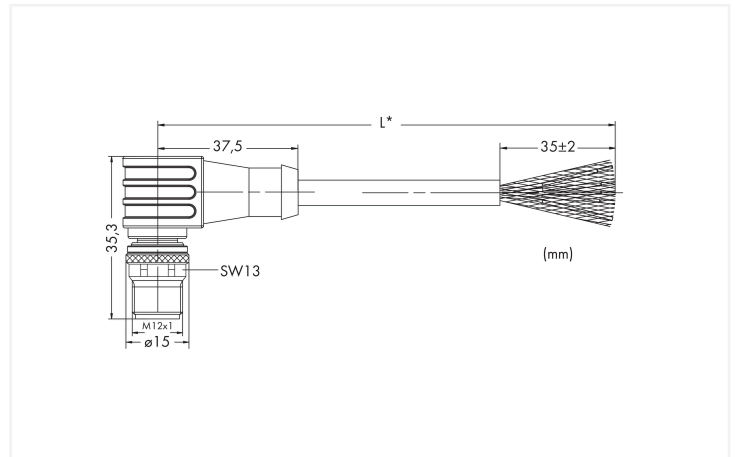
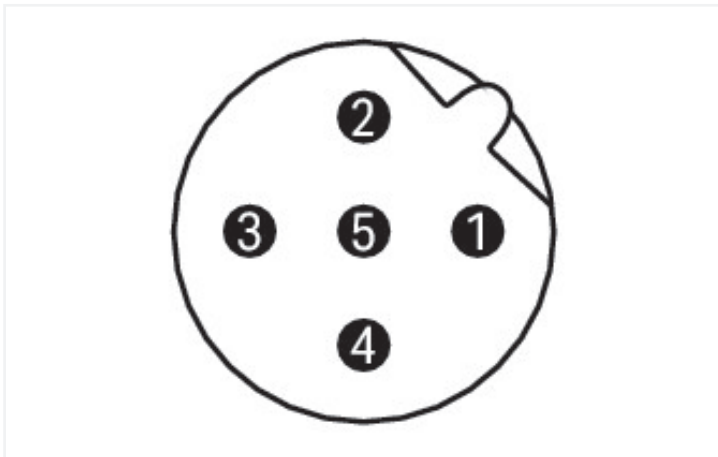


Color: ■ yellow



Dimensions in mm

Short description:

- PUR, halogen-free
- Silicon- and CFC-free
- High resistance to microbes, hydrolysis, oil, chemicals and UV radiation
- High chemical resistance
- Cable used: UL listed

Technical data

Operating voltage	60 V
Insulation resistance	≥5 x 10 ⁸ Ω
Conductor resistance	≤ 145 Ω/km

Mechanical data

Weight	102 g
Color	yellow

Commercial data

PU (SPU)	1 pcs
Packaging type	Box
Country of origin	DE
GTIN	4045454791308
Customs tariff number	85444290900
End of Sale	2024-05-01
End of Production	2024-05-15
End of Delivery	2024-06-01
End of Service and Repair	2025-06-01

Product Classification

UNSPSC	26121629
eCl@ss 10.0	27-06-18-01
eCl@ss 9.0	27-06-18-01
ETIM 9.0	EC000237
ECCN	NO US CLASSIFICATION

Downloads

Environmental Product Compliance

Compliance Search	
Environmental Product Compliance 756-1304/060-020	↓

Documentation

System Description	
I/O-SYSTEM – SPEED-WAY, General Product Information	pdf 1035.20 KB ↓

CAD/CAE-Data

CAE data	
WSCAD Universe 756-1304/060-020	↓

Subject to changes. Please also observe the further product documentation!

Current addresses can be found at: www.wago.com