

8800 A

# AC axial panel compact fan



## ebm-papst St. Georgen GmbH & Co. KG

Hermann-Papst-Str. 1

D-78112 St. Georgen

Phone +49 (0) 7724 81-0

info2@de.ebmpapst.com

www.ebmpapst.com

## Nominal data

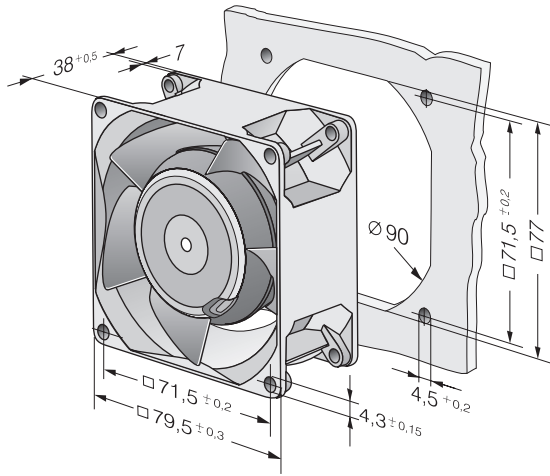
Item	8800 A	
Motor	-0	
Phase		1~
Nominal voltage	VAC	115
Frequency	Hz	60
Speed (rpm)	min <sup>-1</sup>	2500
Power consumption	W	11.0
Min. ambient temperature	°C	-10
Max. ambient temperature	°C	70
Air flow	m <sup>3</sup> /h	45
Sound power level	B	4.8
Sound pressure level	dB(A)	34

ml = Max. load · me = Max. efficiency · fa = Free air · cs = Customer specification · ce = Customer equipment  
Subject to change

**Technical description**

<b>Weight</b>	0.490 kg
<b>Dimensions</b>	80 x 80 x 38 mm
<b>Impeller material</b>	Metal
<b>Housing material</b>	Metal
<b>Airflow direction</b>	Intake over struts
<b>Service life L10 at 40 °C</b>	55000 h
<b>Service life L10 at maximum temperature</b>	27500 h
<b>Option</b>	Optionally available with electrical hookup to leads. Optionally available with exhaust over struts and clockwise rotation.

## Product drawing



## Curves: Air performance

