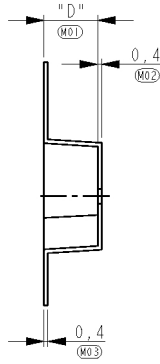
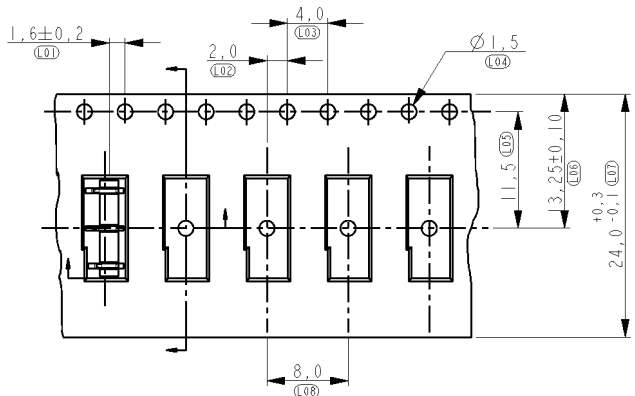


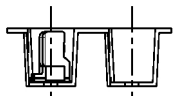
THIS DRAWING IS UNPUBLISHED. RELEASED FOR PUBLICATION

© COPYRIGHT - BY - ALL RIGHTS RESERVED.

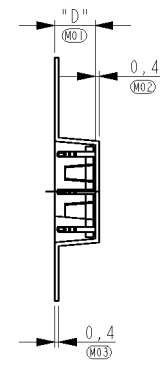
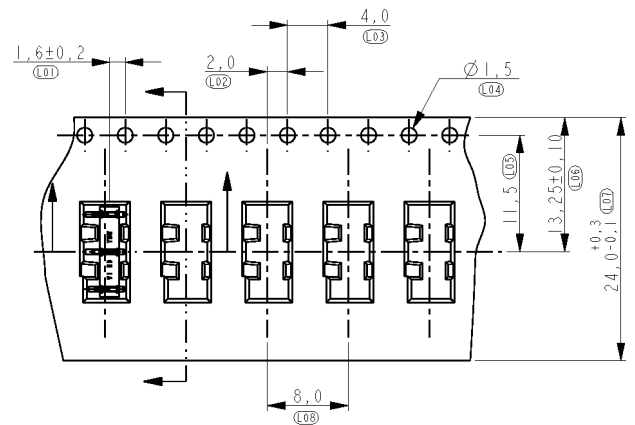
LOC	DIST	REVISIONS					
H	-	P	LTR	DESCRIPTION	DATE	DWN	APVD
		-		SEE SHEET 1	-	-	-



X-1857084-X  
UNREEL DIRECTION



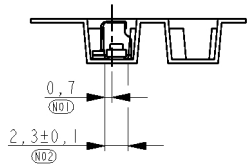
PART NUMBER	QUANTITY PER REEL	DIMENSION "D"
1-1857084-2	1800	4,0
1-1857084-7	1300	4,8
2-1857084-0	1300	4,8
2-1857084-5	1300	5,3
3-1857084-0	1000	6,9
3-1857084-5	1000	6,9
4-1857084-0	1000	6,9



1-1857084-2  
UNREEL DIRECTION

NOTES:

1 REEL DIMENSION: 330x101x24,4.



THIS DRAWING IS A CONTROLLED DOCUMENT.		DWN J. Tuin 29 APR 2005					
DIMENSIONS: mm		CHK J. Tuin 29 APR 2005					
TOLERANCES UNLESS OTHERWISE SPECIFIED:		APVD D. Halberstadt 29 APR 2005	NAME PLUG CONNECTOR UTB, 3 POSITION BATTERY BLOCK				
<ul style="list-style-type: none"> <li>0 PLC ±</li> <li>1 PLC ±0,2</li> <li>2 PLC ±0,1</li> <li>3 PLC ±</li> <li>4 PLC ±</li> <li>ANGLES ±</li> </ul>		PRODUCT SPEC 108-19276	SIZE A3	CAGE CODE 00779	DRAWING NO C=1857084	RESTRICTED TO -	
MATERIAL -	FINISH -	APPLICATION SPEC -	WEIGHT -	SCALE 10:1		SHEET 6 OF 6	REV J
CUSTOMER DRAWING							