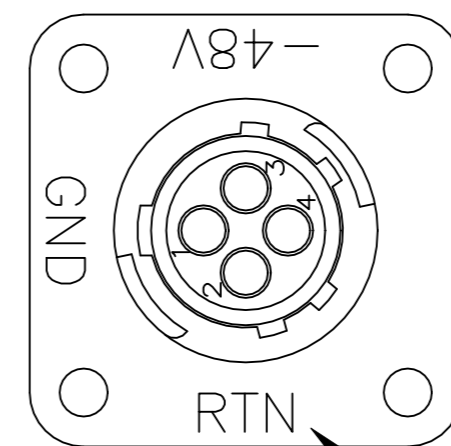
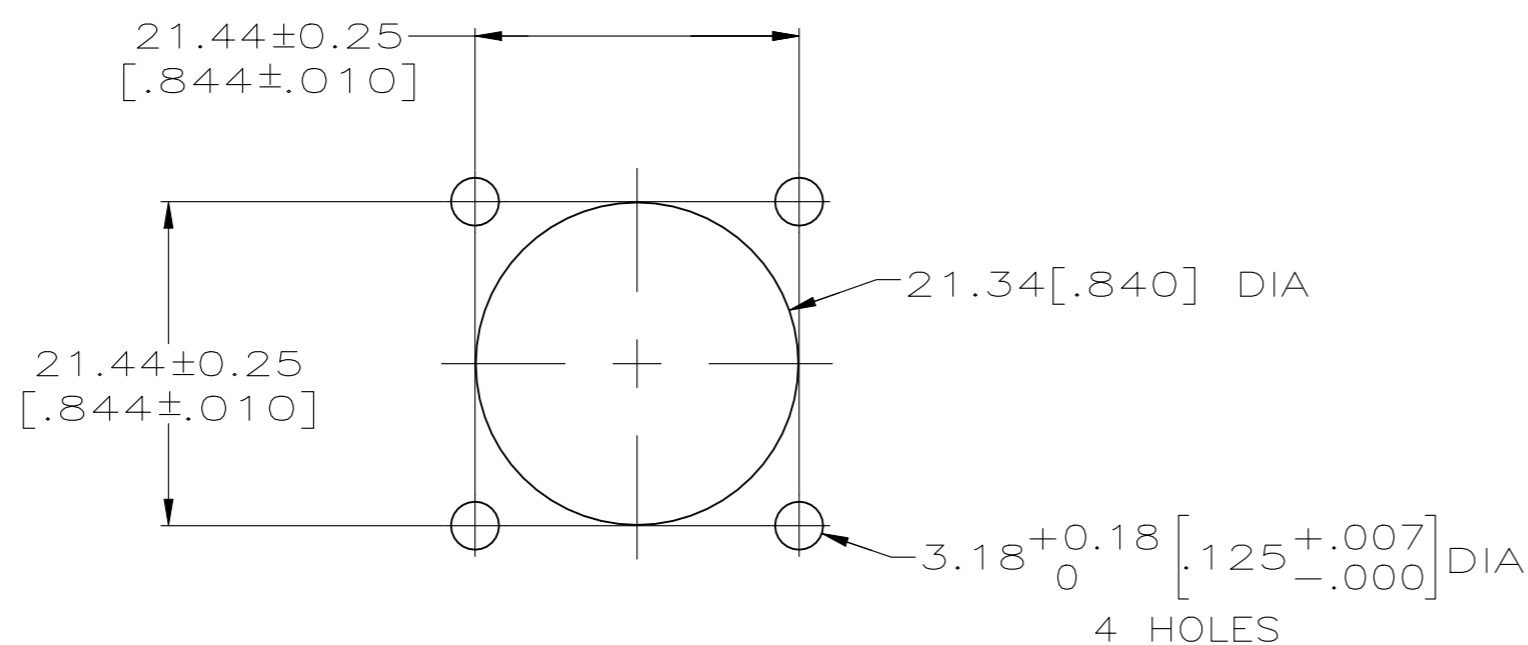
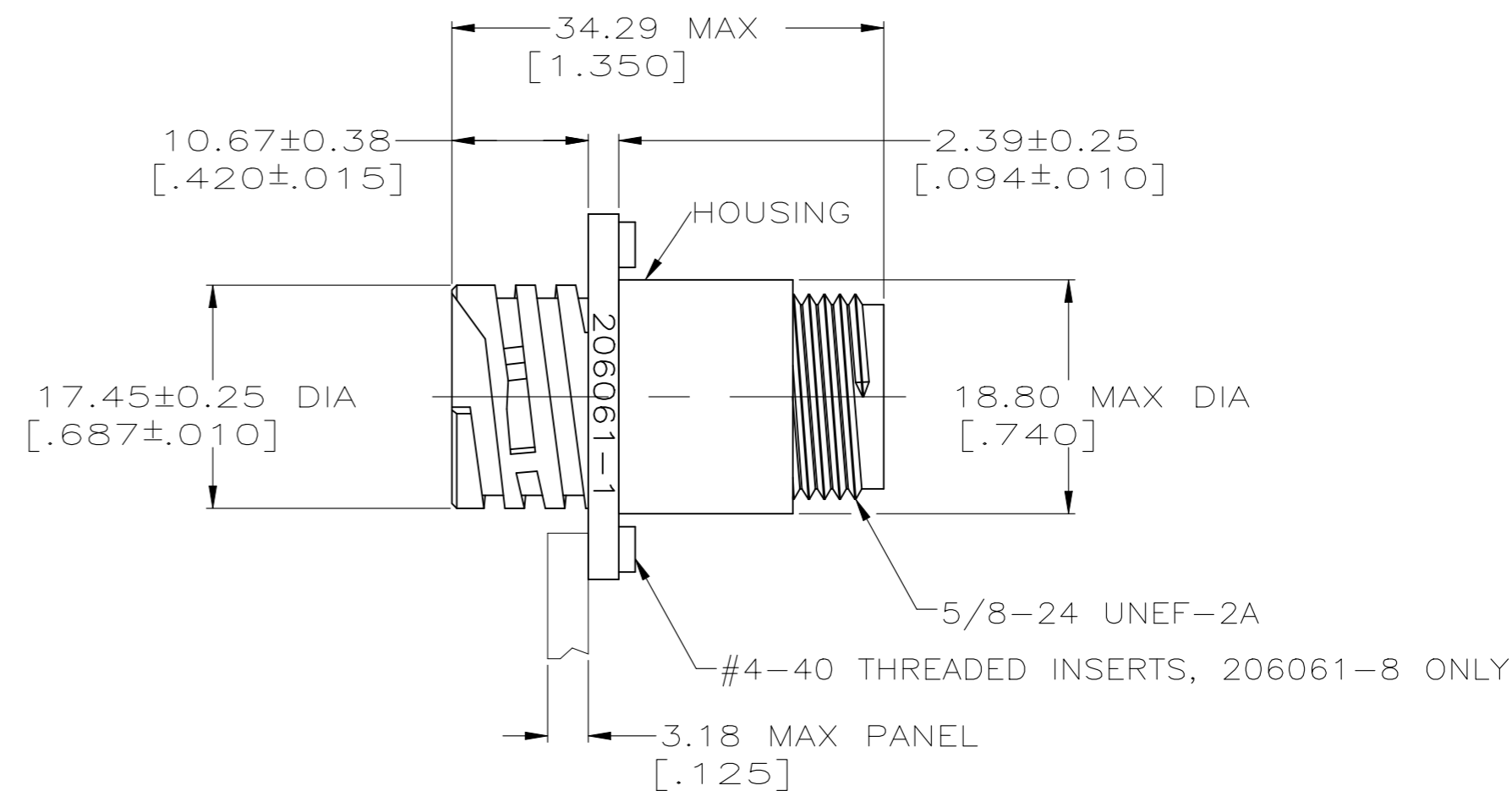
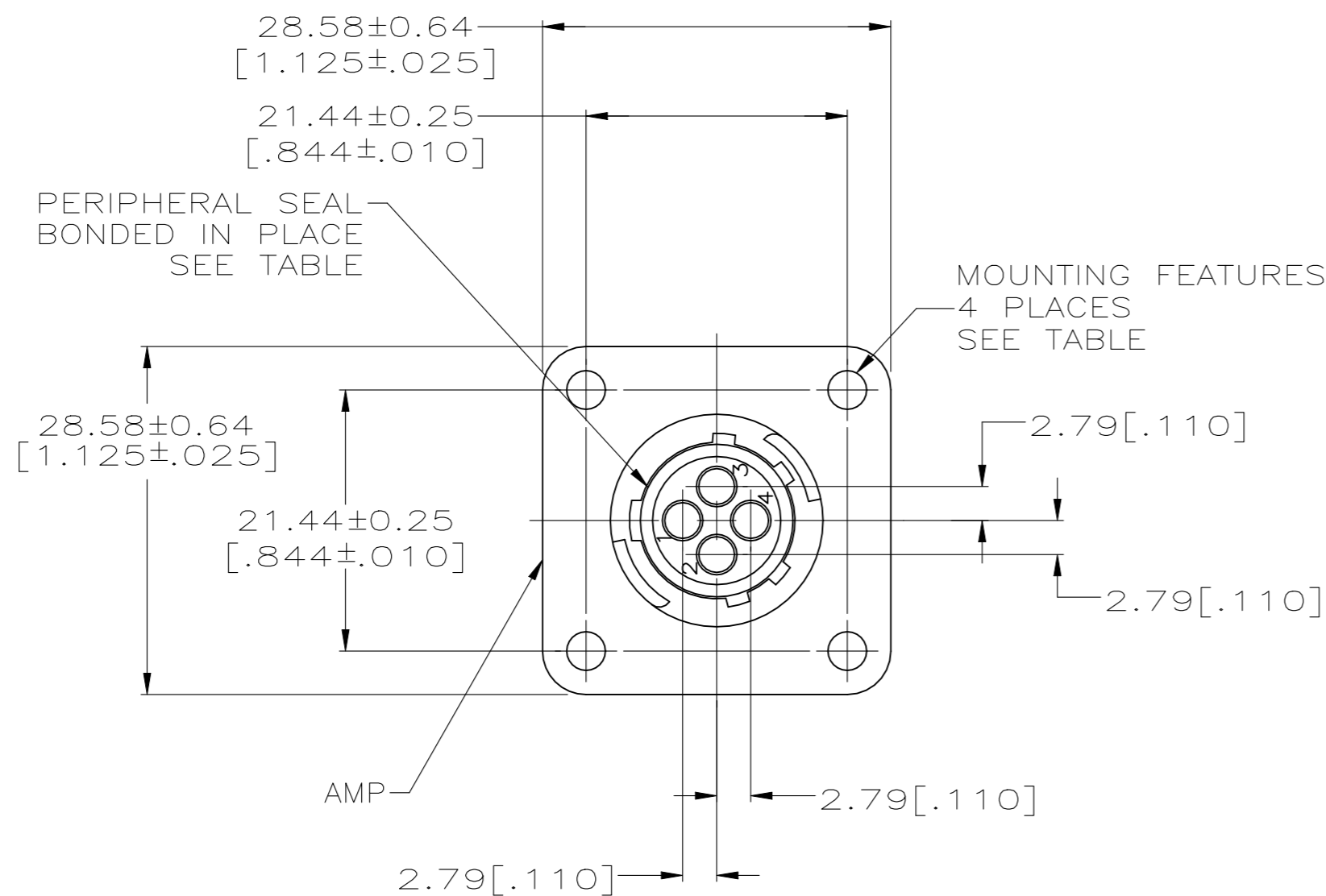


P	LTR	DESCRIPTION	DATE	DWN	APVD
H1		REVISED PER ECN-22-165832	22JUL2022	RK	MZ



DETAIL A -5 ONLY RTN, GND AND -48V MARKED WITH WHITE INK, .118 MAX.

RECOMMENDED PANEL CUTOUT

NOTES:

1. CAVITY IDENTIFICATION ON FRONT AND REAR FACE.
2. WILL ACCEPT FOUR (4) MULTIMATE PIN CONTACTS.

3 MATERIALS:  
 HOUSING: PA66, BLACK  
 PERIPHERAL SEAL: NITRILE BUTADIENE RUBBER, BLACK  
 THREADED INSERT: BRASS

OBSOLETE	#4-40 THREADED INSERT	-	STANDARD	NO	206061-8
OBSOLETE	Ø3.18 (.125) HOLES	DETAIL A	STANDARD	NO	206061-5
	Ø3.18 (.125) HOLES	-	SMALL PACK	NO	206061-3
	Ø3.18 (.125) HOLES	-	STANDARD	YES	206061-2
	Ø3.18 (.125) HOLES	-	STANDARD	NO	206061-1
	MOUNTING FEATURES	MARKING	PACKAGING	PERIPHERAL SEAL	PART NO.

THIS DRAWING IS A CONTROLLED DOCUMENT.

DWN	D.GELTZ	07/26/93
CHK	R.STONE	08/11/93
APVD	-	-
NAME	TE Connectivity	
PRODUCT SPEC	108-10024	
APPLICATION SPEC	-	
SIZE	A2	SCALE 2:1
CAGE CODE	00779	SHEET 1 OF 1
DRAWING NO	C=206061	REV H1
RESTRICTED TO	-	

CUSTOMER DRAWING