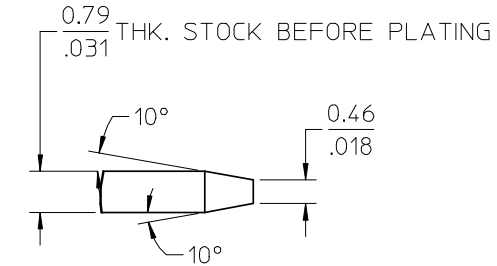
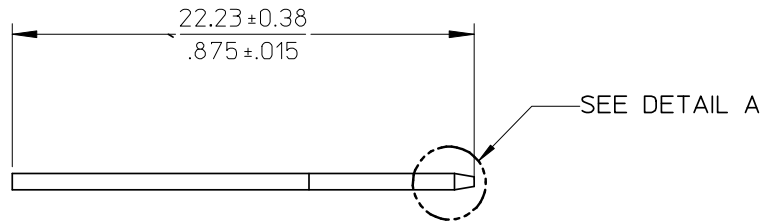
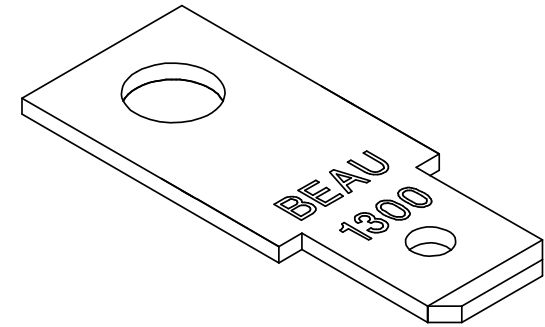
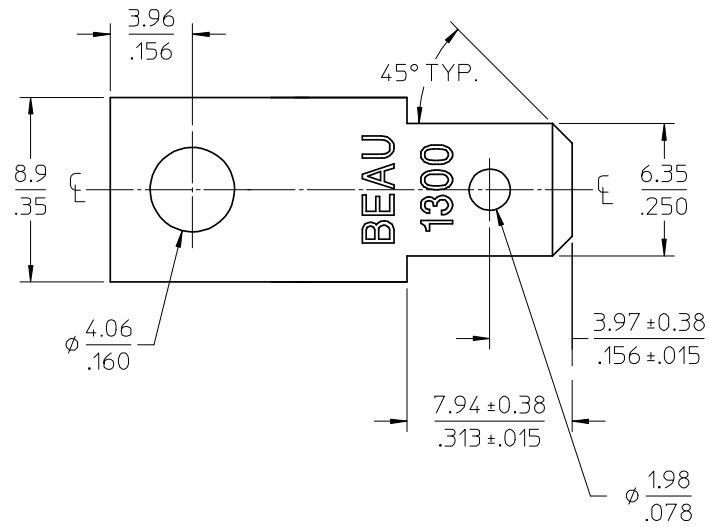


MATERIAL NO.	ENGINEERING NO.	DESCRIPTION	MATERIAL	FINISH
380020080	1313	TERMINAL, FAST TAB, FL	BRASS	TIN OVER COPPER PLATED



NOTES:  
1. PART IS ROHS COMPLIANT.

INITIAL RELEASE EC NO: WNA2008-0052 DRWN: JENCINAS 2008/04/30 CHKD: CYORK 2008/04/30 APPR: JMACNEIL 2008/04/30	DESCRIPTION REV A	QUALITY SYMBOLS	GENERAL TOLERANCES (UNLESS SPECIFIED)	DIMENSION STYLE	SCALE	DESIGN UNITS	THIRD ANGLE PROJECTION
		$\nabla=0$ $\sphericalangle=0$	mm INCH 4 PLACES ± --- ± --- 3 PLACES ± --- ± .005 2 PLACES ± 0.13 ± .01 1 PLACE ± 0.3 ± ---	MM/IN	4:1	INCH	TITLE TERMINAL, FT, FL (CAT# 1313)
		ANGULAR ± 2 °	DRAWN BY DATE J. ENCINAS 2008/03/31 CHECKED BY DATE C. YORK 2008/03/31 APPROVED BY DATE JMACNEIL 2008/03/31	MATERIAL NO. SEE CHART	MOLEX INCORPORATED		
		DRAFT WHERE APPLICABLE MUST REMAIN WITHIN DIMENSIONS	SIZE B THIS DRAWING CONTAINS INFORMATION THAT IS PROPRIETARY TO MOLEX INCORPORATED AND SHOULD NOT BE USED WITHOUT WRITTEN PERMISSION	DOCUMENT NO. SD-38002-059	SHEET NO. 1 OF 1		