

HEF4952B

Dual 3-channel analog multiplexer/demultiplexer with supplementary switches

Rev. 03 — 16 December 2009

Product data sheet

1. General description

The HEF4952B is a dual 3-channel analog multiplexer/demultiplexer with supplementary switches and common select logic. Each switch features three independent inputs/outputs (pins nY0, nY1 and nY2) an input/output nY3 that can be connected to nY2 or V_{SS} and an input/output (nZ) common to nY0, nY1 and nY2. Three digital select inputs (S1, S2 and S3) are common to both switches. Inputs include clamp diodes, this enables the use of current limiting resistors to interface inputs in excess of V_{DD} .

V_{SS} and V_{DD} are the digital control supply pins.

The HEF4952B is suitable for use over the full industrial ($-40\text{ }^{\circ}\text{C}$ to $+85\text{ }^{\circ}\text{C}$) temperature range.

2. Features

- Fully static operation
- 5 V, 10 V, and 15 V parametric ratings
- Schmitt-trigger action at control inputs
- Small signal switch
- Standardized symmetrical output characteristics
- Operates across the full industrial temperature range $-40\text{ }^{\circ}\text{C}$ to $+85\text{ }^{\circ}\text{C}$
- Complies with JEDEC standard JESD 13-B

3. Applications

- Industrial
- Analog multiplexing and demultiplexing
- Digital multiplexing and demultiplexing
- Signal gating

4. Ordering information

Table 1. Ordering information

All types operate from $-40\text{ }^{\circ}\text{C}$ to $+85\text{ }^{\circ}\text{C}$.

Type number	Package		Version
	Name	Description	
HEF4952BT	SO16	plastic small outline package; 16 leads; body width 3.9 mm	SOT109-1

5. Functional diagram

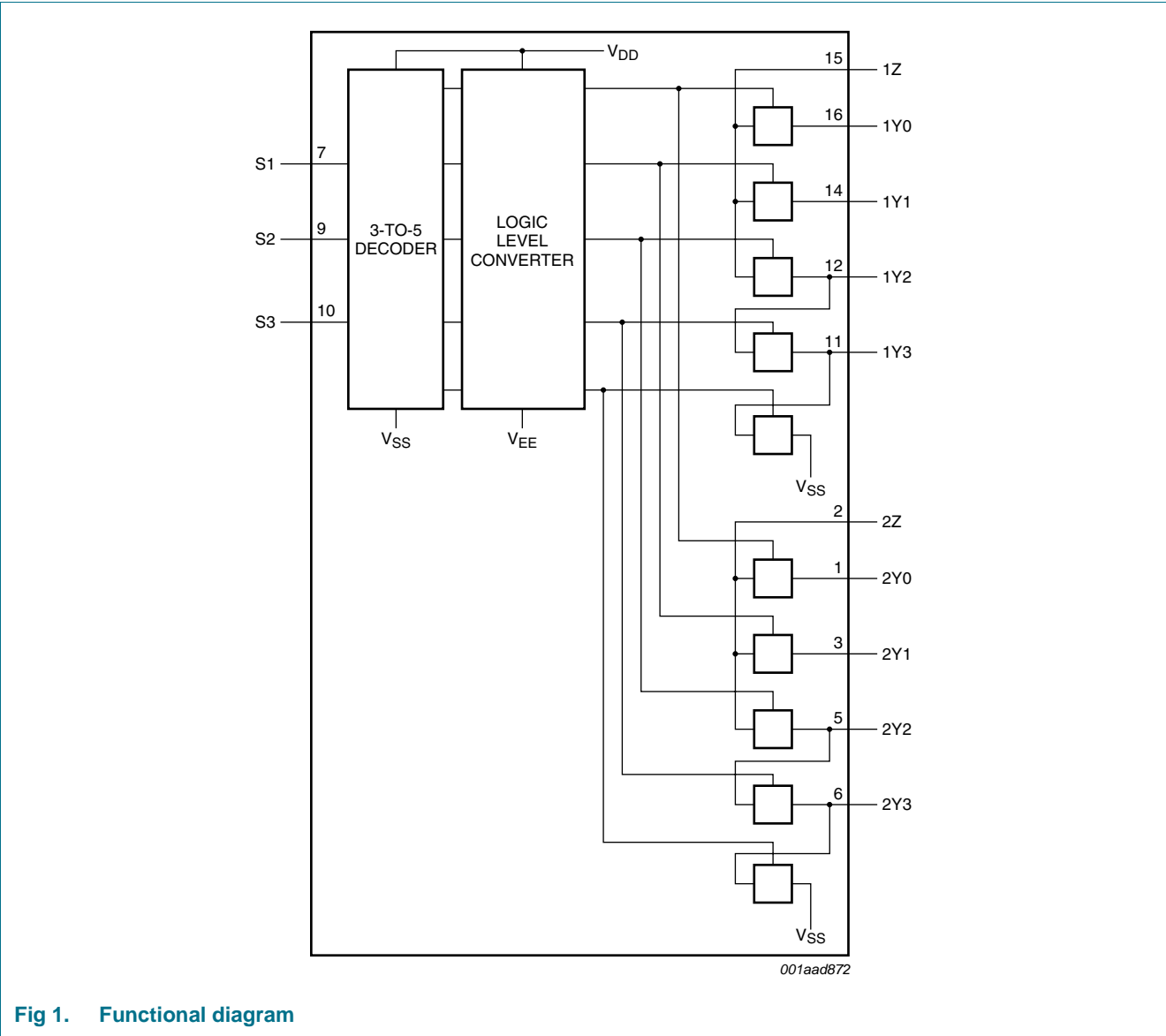


Fig 1. Functional diagram

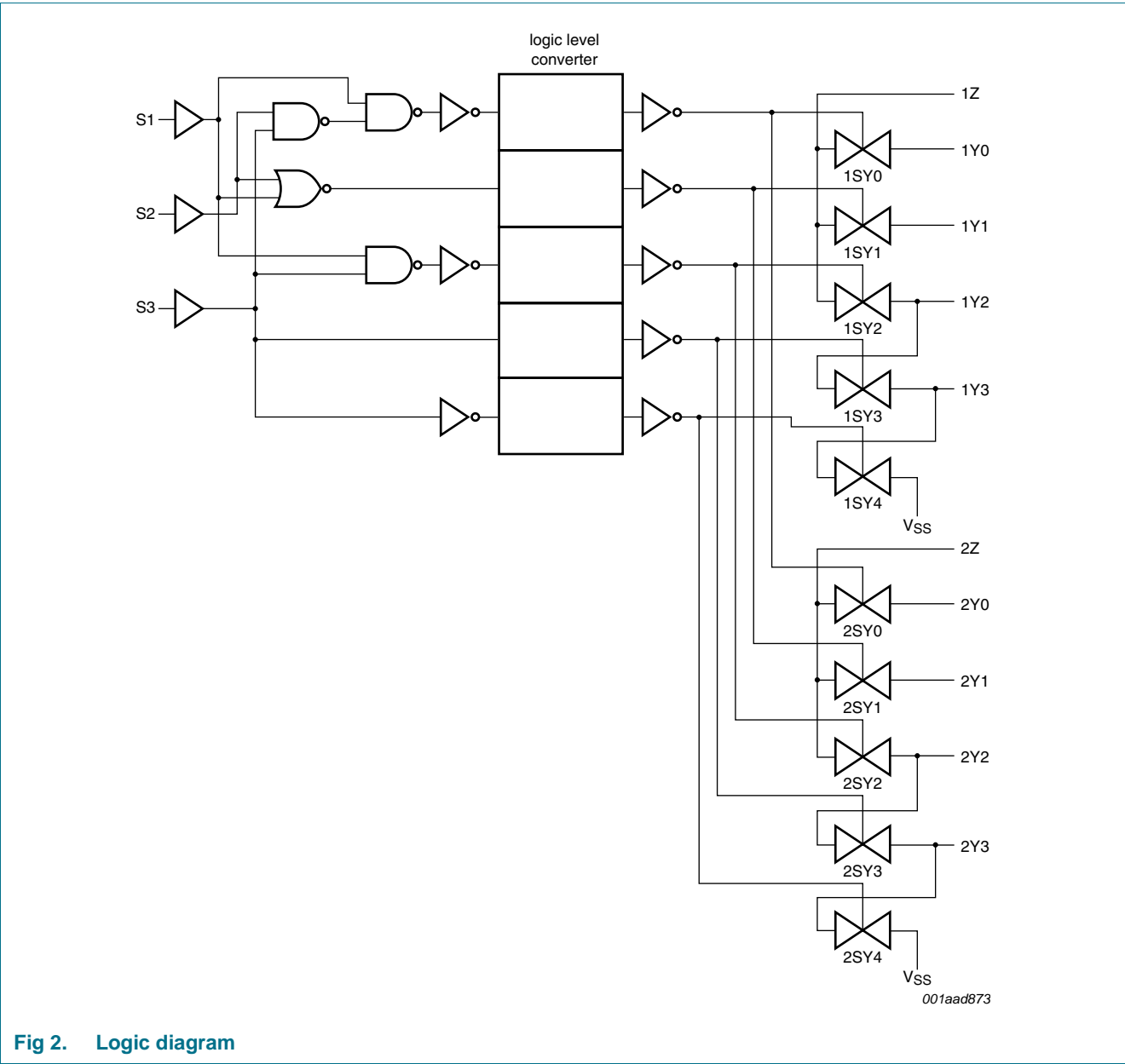


Fig 2. Logic diagram

6. Pinning information

6.1 Pinning

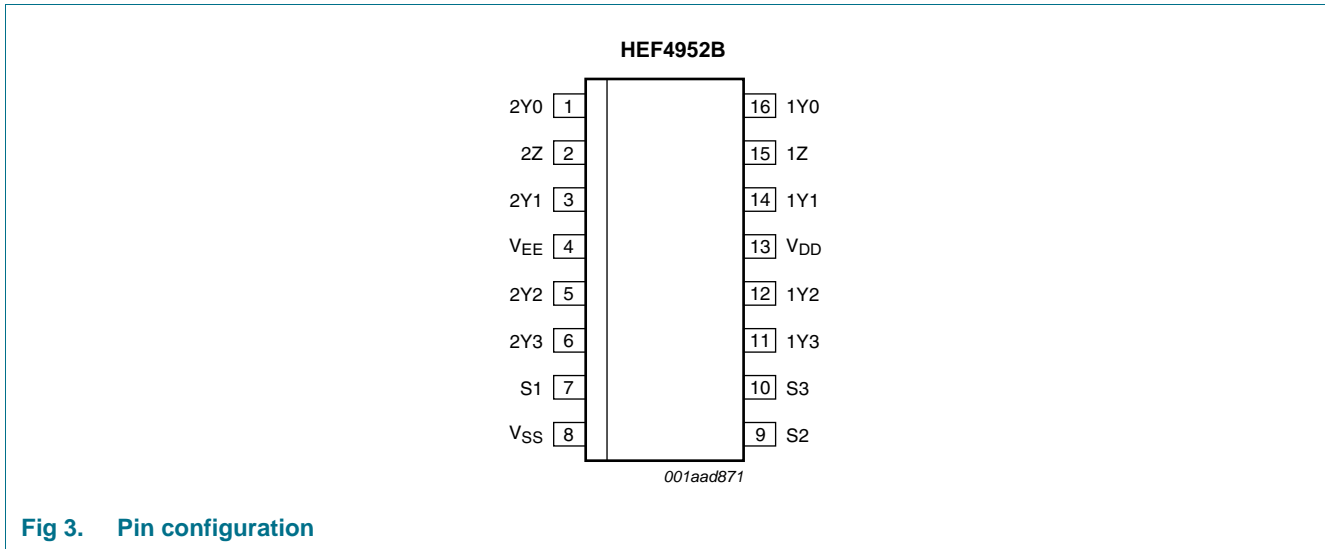


Fig 3. Pin configuration

6.2 Pin description

Table 2. Pin description

Symbol	Pin	Description
V _{EE}	4	supply voltage
V _{SS}	8	ground supply voltage
S1, S2, S3	7, 9, 10	select input
1Y0, 1Y1, 1Y2, 1Y3, 2Y0, 2Y1, 2Y2, 2Y3	16, 14, 12, 11, 1, 3, 5, 6	independent input or output
1Z, 2Z	15, 2	common output or input
V _{DD}	13	supply voltage

7. Functional description

7.1 Function table

Table 3. Function table

Input			Switch				
S3	S2	S1	nSY0	nSY1	nSY2	nSY3	nSY4
L	L	L	open	nY1 to nZ	open	open	nY3 to V _{SS}
L	L	H	nY0 to nZ	open	open	open	nY3 to V _{SS}
L	H	L	open	open	nY2 to nZ	open	nY3 to V _{SS}
L	H	H	nY0 to nZ	open	nY2 to nZ	open	nY3 to V _{SS}
H	L	L	open	nY1 to nZ	open	nY2 to nY3	open
H	L	H	nY0 to nZ	open	open	nY2 to nY3	open
H	H	L	open	open	nY2 to nZ	nY2 to nY3	open
H	H	H	open	open	open	nY2 to nY3	open

- [1] H = HIGH voltage level;
L = LOW voltage level.

8. Limiting values

Table 4. Limiting values

In accordance with the Absolute Maximum Rating System (IEC 60134). Voltages are referenced to V_{SS} = 0 V (ground).

Symbol	Parameter	Conditions	Min	Max	Unit
V _{DD}	supply voltage		-0.5	+18	V
V _{EE}	supply voltage	referenced to V _{DD}	[1] -18	+0.5	V
I _{IK}	input clamping current	pins Sn; V _I < -0.5 V or V _I > V _{DD} + 0.5 V	-	±10	mA
V _I	input voltage		-0.5	V _{DD} + 0.5	V
I _{I/O}	input/output current		-	±10	mA
I _{DD}	supply current		-	50	mA
T _{stg}	storage temperature		-65	+150	°C
T _{amb}	ambient temperature		-40	+85	°C
P _{tot}	total power dissipation	T _{amb} = -40 °C to +85 °C	[2] -	500	mW
P	power dissipation	per output	-	100	mW

- [1] To avoid drawing V_{DD} current out of terminal Z, when switch current flows into terminals Y, the voltage drop across the bidirectional switch must not exceed 0.4 V. If the switch current flows into terminal Z, no V_{DD} current will flow out of terminals Y, and in this case there is no limit for the voltage drop across the switch, but the voltages at Y and Z may not exceed V_{DD} or V_{EE}.
- [2] For SO16 package: P_{tot} derates linearly with 8 mW/K above 70 °C.

9. Recommended operating conditions

Table 5. Recommended operating conditions

Symbol	Parameter	Conditions	Min	Typ	Max	Unit
V_{DD}	supply voltage	see Figure 4	5	-	15	V
V_{EE}	supply voltage	see Figure 4	-15	-	0	V
V_I	input voltage		0	-	V_{DD}	V
T_{amb}	ambient temperature	in free air	-40	-	+85	°C

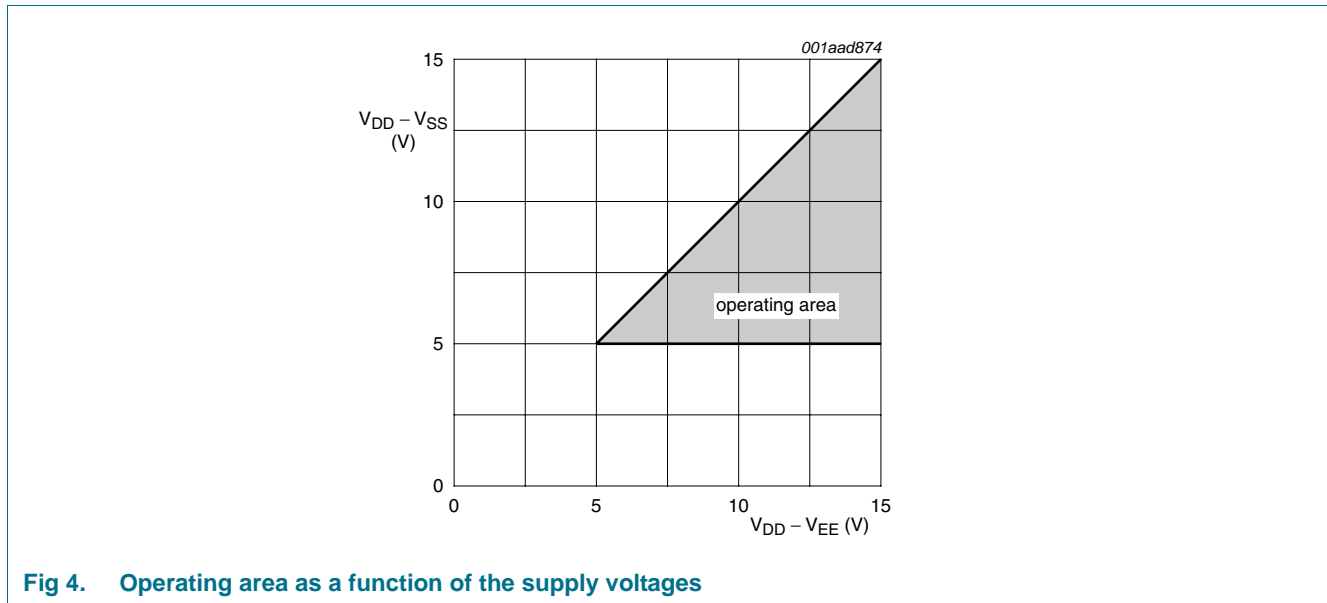


Fig 4. Operating area as a function of the supply voltages

10. Static characteristics

Table 6. Static characteristics

$V_{SS} = V_{EE} = 0\text{ V}$; $V_I = V_{SS}$ or V_{DD} unless otherwise specified.

Symbol	Parameter	Conditions	V_{DD}	$T_{amb} = -40\text{ °C}$		$T_{amb} = 25\text{ °C}$		$T_{amb} = 85\text{ °C}$		Unit
				Min	Max	Min	Max	Min	Max	
I_I	input leakage current		15 V	-	±0.3	-	±0.3	-	±1.0	µA
$I_{S(OFF)}$	OFF-state leakage current	Y port; per channel; see Figure 5	15 V	-	-	-	200	-	-	nA
I_{DD}	supply current	$I_O = 0\text{ A}$	5 V	-	20	-	20	-	150	µA
			10 V	-	40	-	40	-	300	µA
			15 V	-	80	-	80	-	600	µA
C_I	input capacitance	Sn inputs	-	-	-	-	7.5	-	-	pF

10.1 Test circuits

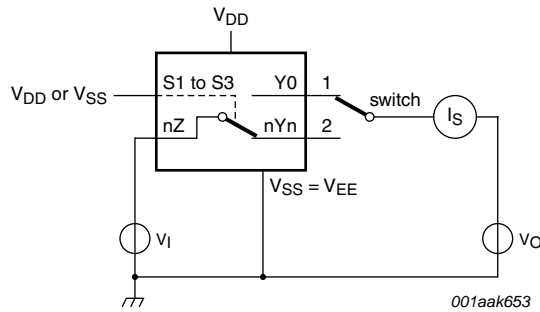


Fig 5. Test circuit for measuring OFF-state leakage current nYn port

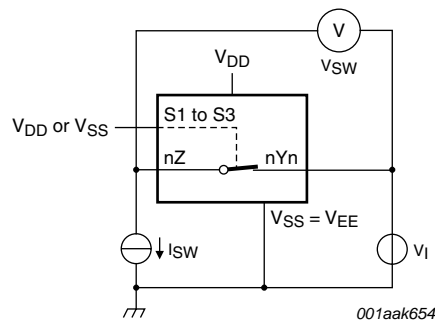
10.2 On resistance

Table 7. ON resistance

$T_{amb} = 25\text{ }^{\circ}\text{C}$; $I_{SW} = 200\text{ }\mu\text{A}$; $V_{SS} = V_{EE} = 0\text{ V}$.

Symbol	Parameter	Conditions	$V_{DD} - V_{EE}$	Typ	Max	Unit
R_{ON}	ON resistance	$V_I = 0\text{ V}$; see Figure 6 and Figure 7	10 V	45	150	Ω
		$V_I = 2.5\text{ V}$; see Figure 6 and Figure 7	10 V	65	365	Ω
		$V_I = 5.0\text{ V}$; see Figure 6 and Figure 7	10 V	110	360	Ω
ΔR_{ON}	ON resistance mismatch between channels	$V_I = 2.5\text{ V}$; see Figure 6	10 V	10	-	Ω

10.2.1 On resistance waveform and test circuit



$$R_{ON} = V_{SW} / I_{SW}$$

Fig 6. Test circuit for measuring R_{ON}

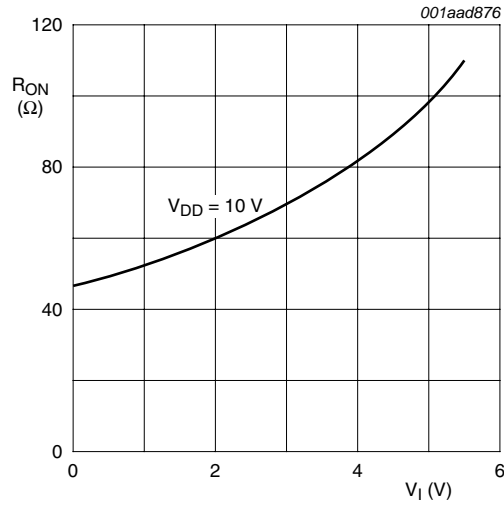


Fig 7. Typical RON as a function of input voltage

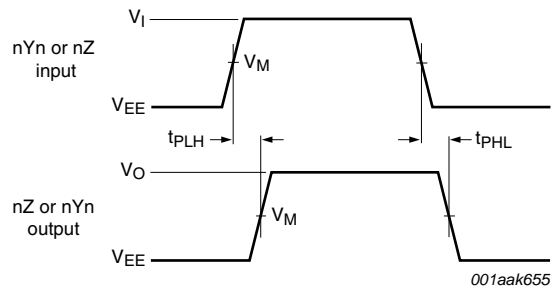
11. Dynamic characteristics

Table 8. Dynamic characteristics

Tamb = 25 °C; VSS = VEE = 0 V; for test circuit see Figure 10.

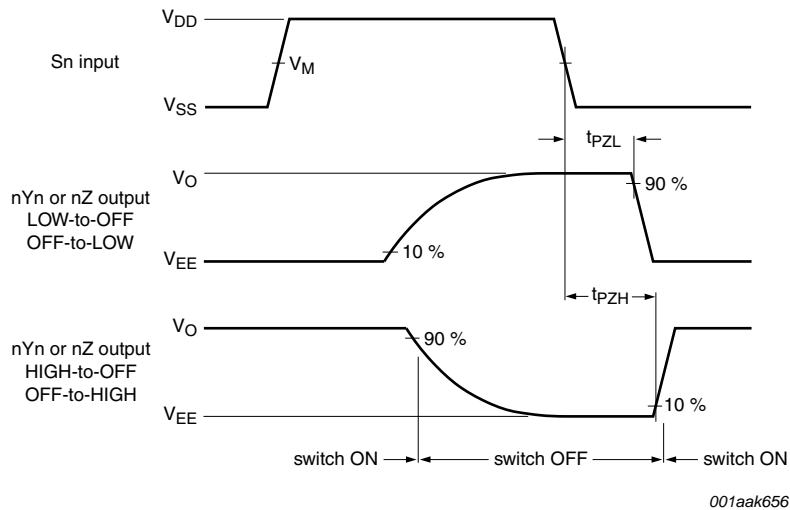
Symbol	Parameter	Conditions	VDD	Typ	Max	Unit
tPHL	HIGH to LOW propagation delay	nYn, nZ to nZ, nYn; VI = 1.0 V; see Figure 8	5 V	5	-	ns
			10 V	3	6	ns
			15 V	2	-	ns
tPLH	LOW to HIGH propagation delay	nYn, nZ to nZ, nYn; VI = 1.0 V; see Figure 8	5 V	5	-	ns
			10 V	3	6	ns
			15 V	2	-	ns
tPZL	OFF-state to LOW propagation delay	Sn to nYn, nZ; VI = VEE; see Figure 9	5 V	125	-	ns
			10 V	50	100	ns
			15 V	35	-	ns
tPZH	OFF-state to HIGH propagation delay	Sn to nYn, nZ; VI = 1.0 V; see Figure 9	5 V	125	-	ns
			10 V	50	100	ns
			15 V	35	-	ns

11.1 Waveforms and test circuit



Measurement points are given in [Table 9](#).

Fig 8. nYn, nZ to nZ, nYn propagation delays

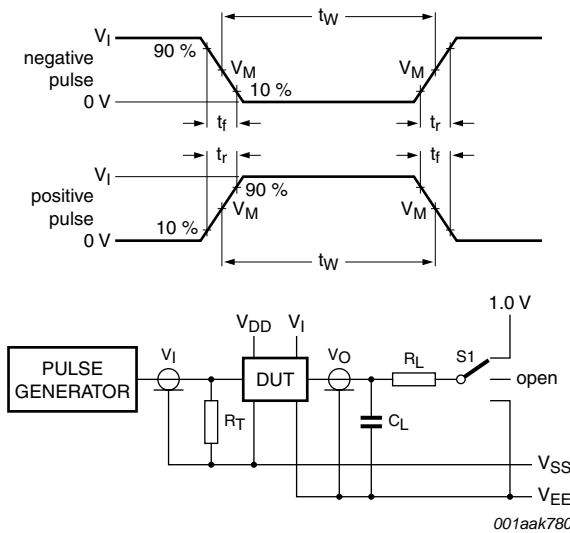


Measurement points are given in [Table 9](#).

Fig 9. Enable and disable times

Table 9. Measurement points

Supply voltage	Input	Output
V_{DD}	V_M	V_M
5 V to 15 V	$0.5V_{DD}$	$0.5V_{DD}$



Test data is given in [Table 10](#).

Definitions:

DUT = Device Under Test.

R_T = Termination resistance should be equal to output impedance Z_o of the pulse generator.

C_L = Load capacitance including test jig and probe.

R_L = Load resistance.

Fig 10. Test circuit for measuring switching times

Table 10. Test data

Input				Load		S1 position			
nYn, nZ	Sn	t_r, t_f	V_M	C_L	R_L	t_{PHL}, t_{PLH}	t_{PZH}	t_{PZL}	Other
V_I or V_{EE}	V_{DD} or V_{SS}	≤ 20 ns	$0.5V_{DD}$	50 pF	10 k Ω	V_{EE}	V_{EE}	1.0 V	V_{EE}

Table 11. Dynamic power dissipation P_D

P_D can be calculated from the formulas shown; $V_{EE} = V_{SS} = 0$ V; $t_r = t_f \leq 20$ ns; $T_{amb} = 25$ °C.

Symbol	Parameter	V_{DD}	Typical formula for P_D (μ W)	Where:
P_D	dynamic power dissipation	5 V	$P_D = 1300 \times f_i + \Sigma(f_o \times C_L) \times V_{DD}^2$	f_i = input frequency in MHz;
		10 V	$P_D = 6100 \times f_i + \Sigma(f_o \times C_L) \times V_{DD}^2$	f_o = output frequency in MHz;
		15 V	$P_D = 15600 \times f_i + \Sigma(f_o \times C_L) \times V_{DD}^2$	C_L = output load capacitance in pF;
				V_{DD} = supply voltage in V;
				$\Sigma(f_o \times C_L)$ = sum of the outputs.

11.2 Transfer characteristics

Table 12. Control input characteristics

$V_{SS} = V_{EE} = 0$ V unless otherwise specified.

Symbol	Parameter	Conditions	T _{amb} = 25 °C		T _{amb} = -40 °C to +85 °C		Unit
			Min	Max	Min	Max	
V _{T+}	positive-going threshold voltage	V _{DD} = 5 V	-	2.90	-	3.00	V
		V _{DD} = 10 V	-	4.37	-	4.50	V
V _{T-}	negative-going threshold voltage	V _{DD} = 5 V	1.03	-	1.00	-	V
		V _{DD} = 10 V	2.10	-	2.00	-	V
V _H	hysteresis voltage	V _{DD} = 5 V	0.16	-	0.10	-	V
		V _{DD} = 10 V	0.11	-	0.10	-	V

12. Package outline

SO16: plastic small outline package; 16 leads; body width 3.9 mm

SOT109-1

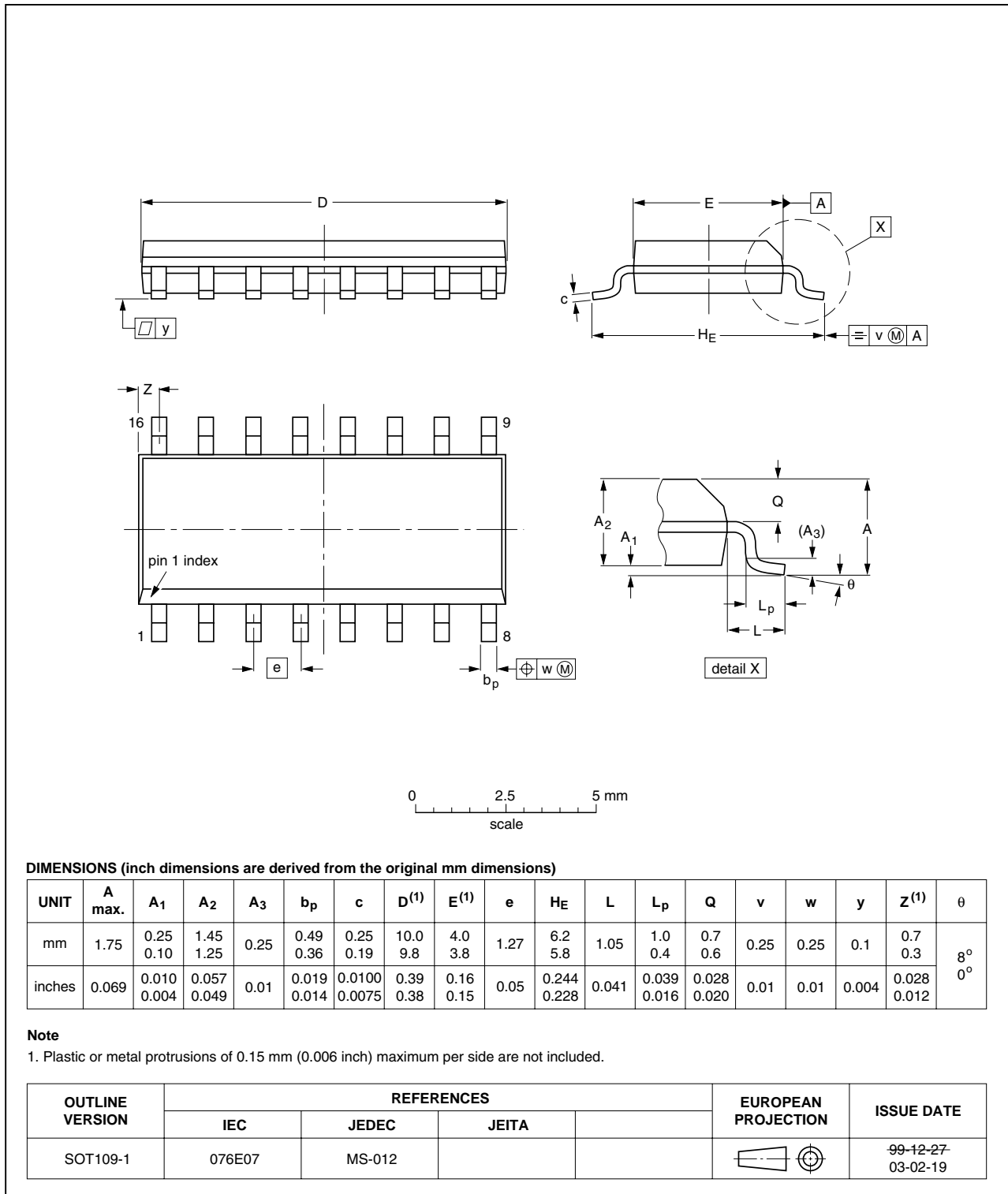


Fig 11. Package outline SOT109-1 (SO16)

13. Revision history

Table 13. Revision history

Document ID	Release date	Data sheet status	Change notice	Supersedes
HEF4952B_3	20091216	Product data sheet	-	HEF4952B_2
Modifications:		<ul style="list-style-type: none">• Title changed from 8-channel analog multiplexer/demultiplexer.• Section 1 “General description” modified.• Section 8 “Limiting values” I_{IK} conditions updated.• Abbreviations section removed.		
HEF4952B_2	20091002	Product data sheet	-	HEF4952B_1
HEF4952B_1	20060320	Product data sheet	-	-

14. Legal information

14.1 Data sheet status

Document status ^{[1][2]}	Product status ^[3]	Definition
Objective [short] data sheet	Development	This document contains data from the objective specification for product development.
Preliminary [short] data sheet	Qualification	This document contains data from the preliminary specification.
Product [short] data sheet	Production	This document contains the product specification.

[1] Please consult the most recently issued document before initiating or completing a design.

[2] The term 'short data sheet' is explained in section "Definitions".

[3] The product status of device(s) described in this document may have changed since this document was published and may differ in case of multiple devices. The latest product status information is available on the Internet at URL <http://www.nxp.com>.

14.2 Definitions

Draft — The document is a draft version only. The content is still under internal review and subject to formal approval, which may result in modifications or additions. NXP Semiconductors does not give any representations or warranties as to the accuracy or completeness of information included herein and shall have no liability for the consequences of use of such information.

Short data sheet — A short data sheet is an extract from a full data sheet with the same product type number(s) and title. A short data sheet is intended for quick reference only and should not be relied upon to contain detailed and full information. For detailed and full information see the relevant full data sheet, which is available on request via the local NXP Semiconductors sales office. In case of any inconsistency or conflict with the short data sheet, the full data sheet shall prevail.

14.3 Disclaimers

General — Information in this document is believed to be accurate and reliable. However, NXP Semiconductors does not give any representations or warranties, expressed or implied, as to the accuracy or completeness of such information and shall have no liability for the consequences of use of such information.

Right to make changes — NXP Semiconductors reserves the right to make changes to information published in this document, including without limitation specifications and product descriptions, at any time and without notice. This document supersedes and replaces all information supplied prior to the publication hereof.

Suitability for use — NXP Semiconductors products are not designed, authorized or warranted to be suitable for use in medical, military, aircraft, space or life support equipment, nor in applications where failure or malfunction of an NXP Semiconductors product can reasonably be expected to result in personal injury, death or severe property or environmental

damage. NXP Semiconductors accepts no liability for inclusion and/or use of NXP Semiconductors products in such equipment or applications and therefore such inclusion and/or use is at the customer's own risk.

Applications — Applications that are described herein for any of these products are for illustrative purposes only. NXP Semiconductors makes no representation or warranty that such applications will be suitable for the specified use without further testing or modification.

Limiting values — Stress above one or more limiting values (as defined in the Absolute Maximum Ratings System of IEC 60134) may cause permanent damage to the device. Limiting values are stress ratings only and operation of the device at these or any other conditions above those given in the Characteristics sections of this document is not implied. Exposure to limiting values for extended periods may affect device reliability.

Terms and conditions of sale — NXP Semiconductors products are sold subject to the general terms and conditions of commercial sale, as published at <http://www.nxp.com/profile/terms>, including those pertaining to warranty, intellectual property rights infringement and limitation of liability, unless explicitly otherwise agreed to in writing by NXP Semiconductors. In case of any inconsistency or conflict between information in this document and such terms and conditions, the latter will prevail.

No offer to sell or license — Nothing in this document may be interpreted or construed as an offer to sell products that is open for acceptance or the grant, conveyance or implication of any license under any copyrights, patents or other industrial or intellectual property rights.

Export control — This document as well as the item(s) described herein may be subject to export control regulations. Export might require a prior authorization from national authorities.

14.4 Trademarks

Notice: All referenced brands, product names, service names and trademarks are the property of their respective owners.

15. Contact information

For more information, please visit: <http://www.nxp.com>

For sales office addresses, please send an email to: salesaddresses@nxp.com

16. Contents

1	General description	1
2	Features	1
3	Applications	1
4	Ordering information	1
5	Functional diagram	2
6	Pinning information	4
6.1	Pinning	4
6.2	Pin description	4
7	Functional description	5
7.1	Function table	5
8	Limiting values	5
9	Recommended operating conditions	6
10	Static characteristics	6
10.1	Test circuits	7
10.2	On resistance	7
10.2.1	On resistance waveform and test circuit	7
11	Dynamic characteristics	8
11.1	Waveforms and test circuit	9
11.2	Transfer characteristics	11
12	Package outline	12
13	Revision history	13
14	Legal information	14
14.1	Data sheet status	14
14.2	Definitions	14
14.3	Disclaimers	14
14.4	Trademarks	14
15	Contact information	14
16	Contents	15

Please be aware that important notices concerning this document and the product(s) described herein, have been included in section 'Legal information'.



© NXP B.V. 2009.

All rights reserved.

For more information, please visit: <http://www.nxp.com>

For sales office addresses, please send an email to: salesaddresses@nxp.com

Date of release: 16 December 2009

Document identifier: HEF4952B_3