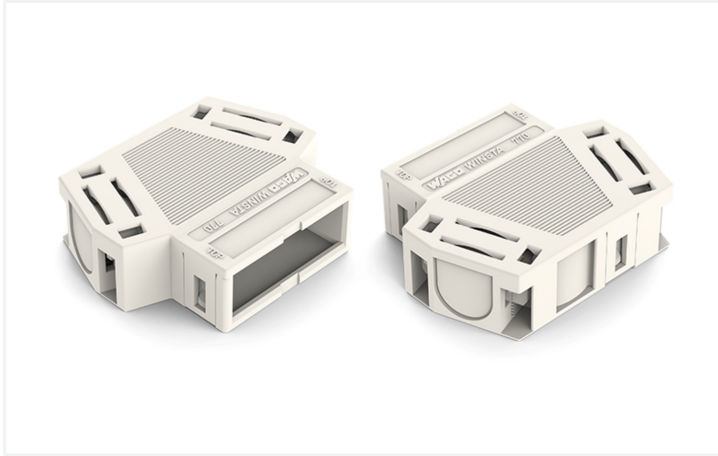


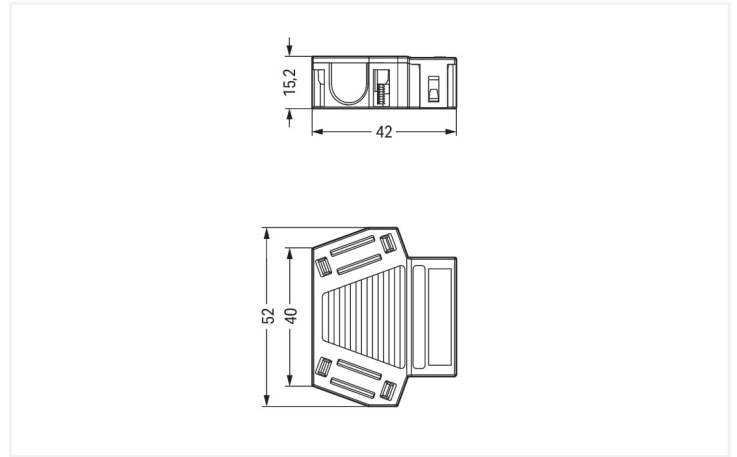
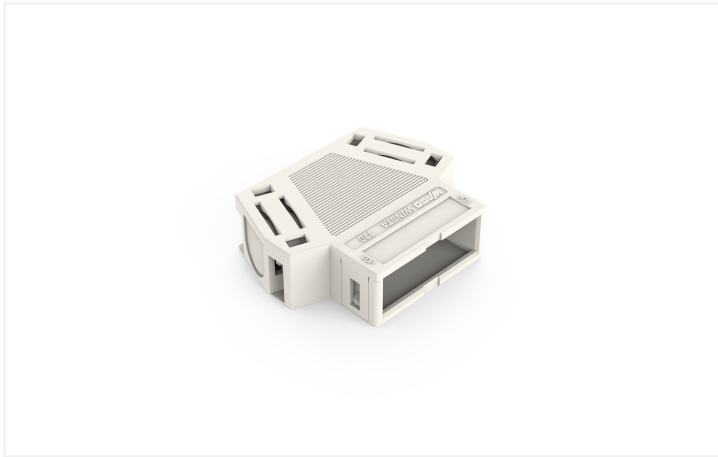
Data Sheet | Item Number: 770-513/032-000

Strain relief housing; 3-pole; for 2 cables; 8.0 ... 11.5 mm; 55 mm; white

<https://www.wago.com/770-513/032-000>



Color: ■ white



Dimensions in mm

Strain relief housing *WINSTA*® MIDI 3-pole

When using the strain relief housing from the *WINSTA*® MIDI product line, error-free installation is ensured. An extensive range of accessories rounds out the *WINSTA*® product line from WAGO. *WINSTA*® MIDI with Push-in CAGE CLAMP® spring pressure connection technology is used in can be found in a variety of projects you can use for quick, easy, flexible, and secure installation. A range up to 55 mm can be used for the strip length.

Lower costs through fast commissioning and elimination of service expenses – solutions from *WINSTA*® MIDI

The *WINSTA*® Pluggable Connection System is perfectly tailored to the very strict requirements of building installation. It makes electrical installation pluggable, and therefore more efficient, even more reliable, and error-free. Using this pre-assembled system reduces assembly times and installation errors at the construction site. Enjoy the benefits of the pluggable version of our maintenance-free spring pressure connection technology too! Plan your installation with with protection against mismatching from WAGO.

- for automation controllers
- quick replacement of defective units during ongoing operation

Notes

General safety information

NOTICE: Observe installation and safety instructions!

1. Only to be used by a qualified electrician or by a person electrically instructed for the task (EIP per DIN VDE 0105-100).
2. Do not install while energized or under load.
3. Use only for its intended purpose.
4. Observe applicable national regulations, standards and directives.
5. Observe the technical specifications of the products.
6. Ensure correct polarity assignment.
7. Do not use damaged or contaminated components.
8. Observe conductor types, conductor cross-sections, strip lengths and cable diameters.
9. Insert conductors up to the stop.
10. Use only with locking lever and strain relief.
11. Use original accessories only.

To be sold only with installation instructions!

Connection Data

Connection 1

Pole number	3
Connectable sheathed cable diameter	8 ... 11.5 mm
Strip length (outer insulation)	55 mm

Physical data

Pin spacing	10 mm / 0.394 inches
-------------	----------------------

Material data

Note (material data)	Information on material specifications can be found here
Color	white
Insulation material (main housing)	Polyamide (PA66)
Flammability class per UL94	V0
Fire load	0.289 MJ
Weight	11 g

Environmental requirements

Processing temperature	-5 ... +40 °C
Continuous operating temperature	-35 ... +85 °C
Note on continuous operating temperature	Insulating parts for temperatures ≤ 105 °C

Commercial data

Product Group	20 (Winsta)
PU (SPU)	25 pcs
Packaging type	Box
Country of origin	DE
GTIN	4044918102438
Customs tariff number	85369010000

Product Classification

UNSPSC	39121402
eCl@ss 10.0	27-44-06-92
eCl@ss 9.0	27-44-06-92
ETIM 9.0	EC002863
ETIM 10.0	EC002863
ECCN	NO US CLASSIFICATION

Environmental Product Compliance

RoHS Compliance Status	Compliant, No Exemption
------------------------	-------------------------

Approvals / Certificates

General approvals **Approvals for marine applications**



Approval	Standard	Certificate Name
cURus Underwriters Laboratories Inc.	UL 1977	E45171

Approval	Standard	Certificate Name
DNV GL Det Norske Veritas, Ger- manischer Lloyd	-	TAE00001Z6
LR Lloyds Register	IEC 61984	LR22429487TA

Downloads

Environmental Product Compliance

Compliance Search




Environmental Product Compliance 770-513/032-000	↓
--------------------------------------------------------	---

Documentation

Bid Text

770-513/032-000	19.02.2019	xml 2.78 KB	↓
770-513/032-000	04.12.2014	doc 23.50 KB	↓

CAD/CAE-Data

CAD data	CAE data
2D/3D Models 770-513/032-000 	WSCAD Universe 770-513/032-000 
	ZUKEN Portal 770-513/032-000 

1 Compatible Products

1.1 Optional Accessories

1.1.1 Marking

1.1.1.1 Marking strip



Item No.: 210-333

Marking strips; as a DIN A4 sheet; Strip width 6 mm; Strip length 182 mm; plain; Self-adhesive; white