

PRODUCT NUMBER  
95615-XXXXLF

PLATING  
(AS AVAILABLE)

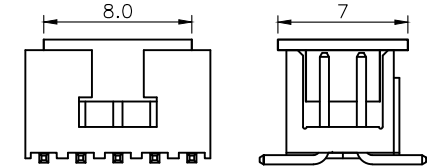
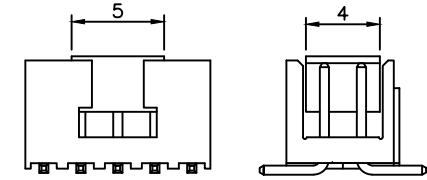
- 0 = 0.20µm GOLD/GXT ON CONTACT AREA  
2µm MIN MATTE TIN ON TAIL
- 1 = 0.76µm GOLD/GXT ON CONTACT AREA  
2µm MIN MATTE TIN ON TAIL
- 3 = 0.38µm GOLD/GXT ON CONTACT AREA  
2µm MIN MATTE TIN ON TAIL
- 5 = 0.38µm GXT FULL PLATED
- 6 = 0.76µm GXT FULL PLATED
- 7 = 0.76µm GOLD/GXT FULL PLATED
- 9 = 0.20µm GOLD/GXT FULL PLATED
- 1.27µm Ni MIN UNDERPLATING

RoHS COMPATIBLE, SEE NOTE 6  
PACKAGING, SEE NOTE 5  
(MAY BE SUBJECT TO TOOLING FEES)  
TOTAL NB OF POSITIONS, 08 TO 34

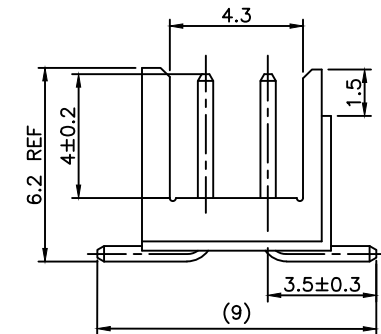
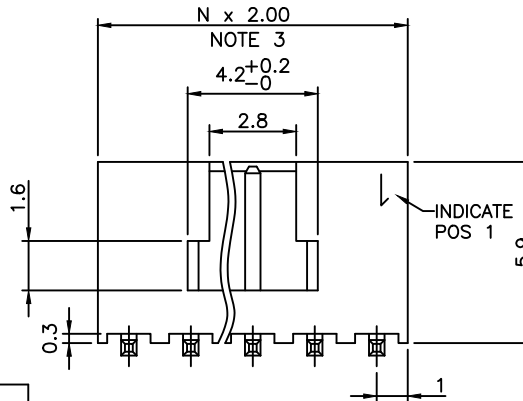
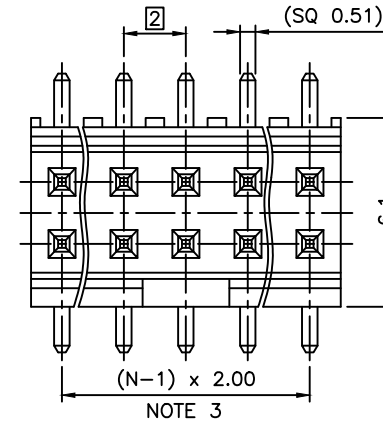
**EXTENDED RANGE**

- TOOLING FEASIBILITY CONFIRMED
- SAMPLES ON DEMAND
- AVAILABILITY ON DEMAND

STANDARD PICK-UP CAP

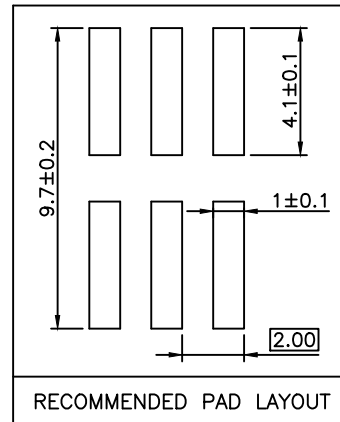


LARGE PICK-UP CAP NOTE 5  
NOT AVAILABLE FOR 2X2



NOTES:

- 1 - MATERIAL HOUSING: HIGH TEMP. THERMOPLASTIC UL 94V-0, COLOR CREAM
- 2 - MATERIAL TERMINAL: COPPER ALLOY
- 3 - TO DETERMINE DIMENSIONS:  
N = NUMBER OF POSITIONS PER ROW
- 4 - 7N MIN. PIN RETENTION IN EITHER DIRECTION.
- 5 - PACKAGING:  
= POLYBAGS  
T = TUBE AVAILABILITY : FROM 2x5 UP TO 2x17  
B = TUBE WITH PICK UP CAP AVAILABLE FROM 2x5 UP TO 2x17  
K = TAPE AND REEL WITHOUT PICK-UP CAP, AS AVAILABLE  
A = TAPE AND REEL WITH LARGE PICK-UP CAP, AS AVAILABLE  
TR = TAPE AND REEL WITH PICK-UP CAP, AS AVAILABLE.
- 6 - RoHS COMPATIBLE PRODUCT SPECIFICATIONS
  - a - PLATING:  
- "LF" MEANS THE PRODUCT IS LEAD-FREE, 2µm MINIMUM MATTE TIN OVER 1.27µm MINIMUM NICKEL UNDERPLATE.
  - b - MANUFACTURING PROCESS COMPATIBILITY  
- THE HOUSING WILL WITHSTAND EXPOSURE TO 260°C PEAK TEMPERATURE FOR 30 SECONDES MAX IN A CONVECTION, INFRA-RED OR VAPOR PHASE OR REFLOW OVEN.
  - c - LABELLING:  
- MEETS PACKAGING SPECS AS PER GS-14-920
  - d - THIS PRODUCT MEETS EUROPEAN DIRECTIVES AND OTHER COUNTRY REGULATIONS AS DISCRIBED IN GS-47-0004.
- 7 - THIS PART SERIES IS NOT INITIALLY INTENDED FOR AUTOMOTIVE APPLICATIONS. ADDITIONAL FEES ARE CHARGEABLE FOR ANY ADDITIONAL QUALIFICATION AND TEST REPORTS PERFORMED OUTSIDE THE SCOPE OF THE STANDARD PRODUCT SPECIFICATIONS.
- 8 - UNLESS OTHERWISE APPROVED BY AMPHENOL, ALL PARTS AND COMPONENTS ARE DESIGNED & BUILT ACCORDING TO AMPHENOL'S SPECIFICATIONS WHICH ARE SUBJECT TO CHANGE WITHOUT NOTICE.



mat'l. code		surface ISO 1302 ✓		tolerance ISO 406 ISO 1101		projection mm		product family MINITEK HEADER		
ltr	ecn no	dr	date	tolerances unless otherwise specified		mm		title		
T	F-23051	AMA	16.01.15	angles	linear	.x ±0.3 .xx ±0.13 .xxx ±0.05		SHROUDED HEADER 2.00mm SMT		
U	F-49571	DDE	23.10.25			scale 7:1		dwg no		
V	F-55060	DDE	25.03.20					sheet 1 of 1		
				dr	JL.CORDIER	97.07.26		size		
P	F11-0071	JCO	11.06.17	engr	J.COMPAGNON	97.07.26		95615		
R	F11-0339	JCO	11.12.06	chr	JL.CORDIER	97.07.26		A3		
S	B-19190	LMU	14.10.24	appd	J.COMPAGNON	97.07.26		Drawing		
sheet	revision									
index	sheet									