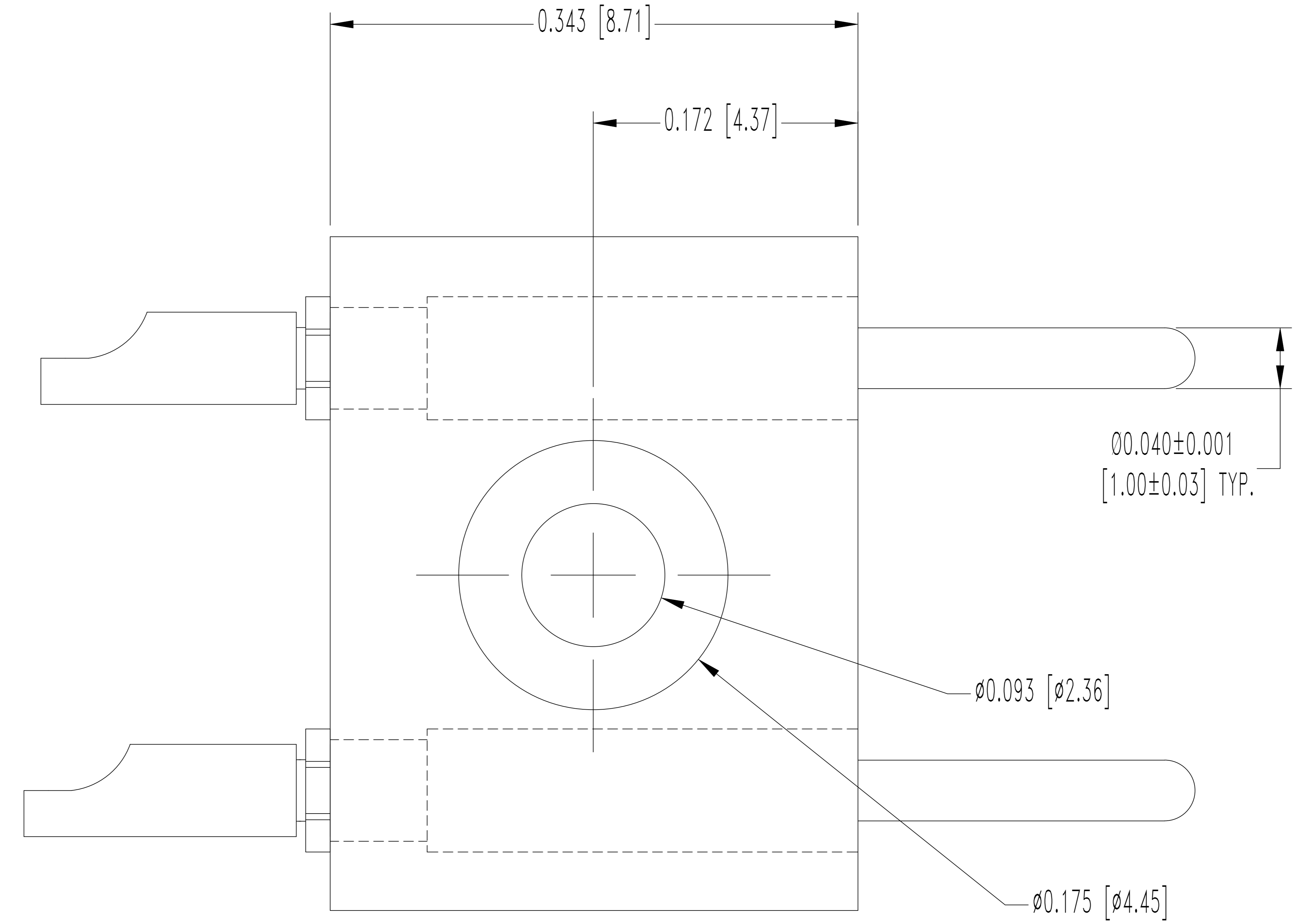
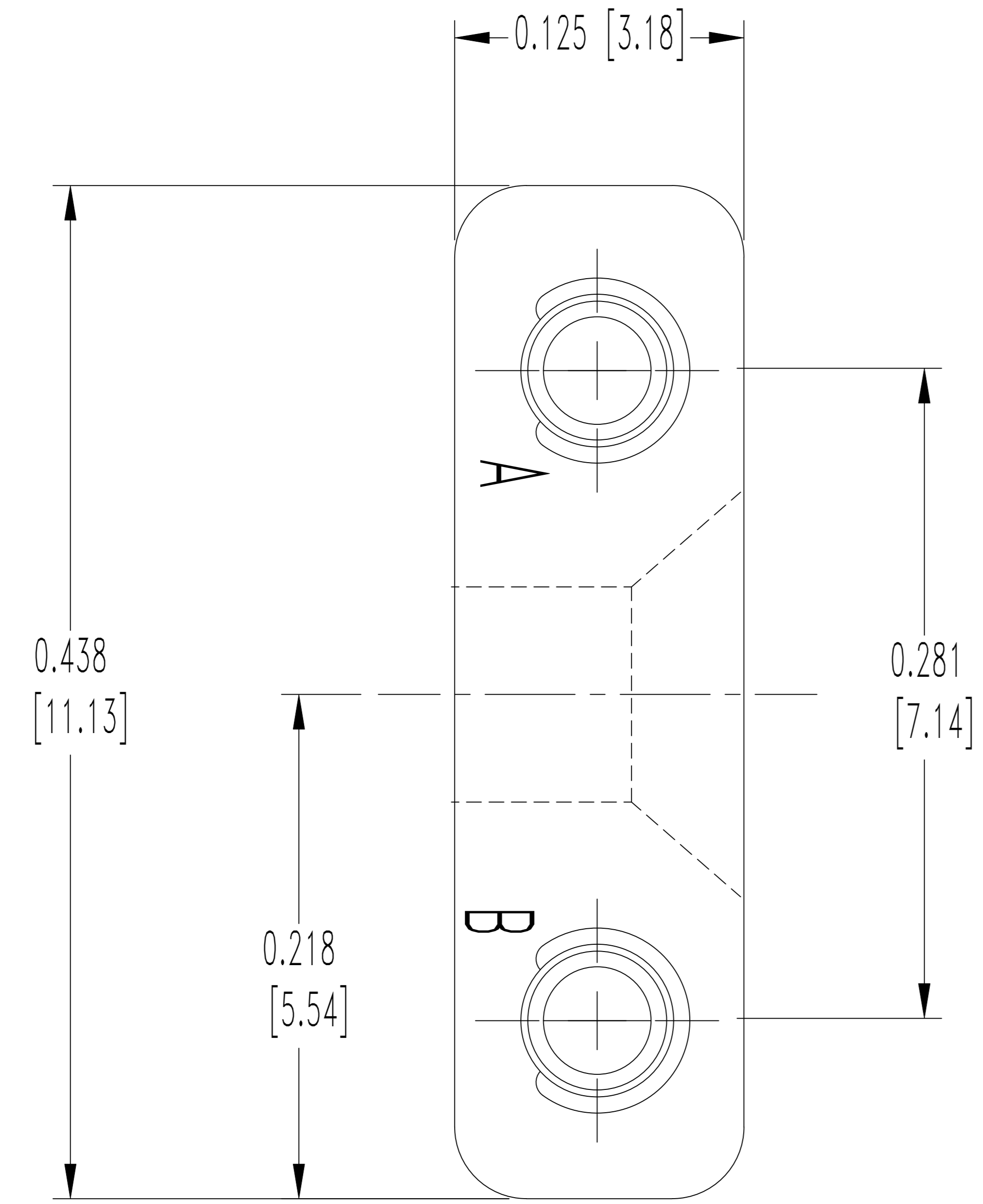


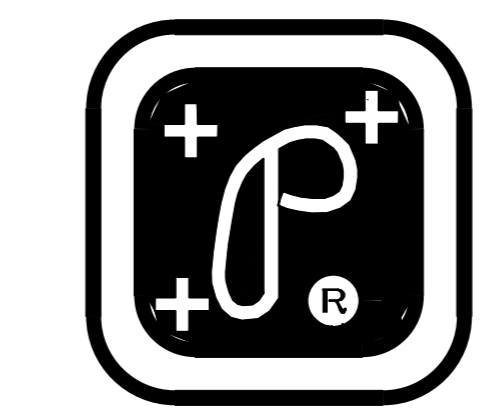
THIS DRAWING CONTAINS INFORMATION PROPRIETARY TO POSITRONIC AND ITS SUBSIDIARIES. POSITRONIC BELIEVES THE DATA ON THIS DRAWING TO BE RELIABLE, SINCE THE TECHNICAL INFORMATION IS GIVEN FREE OF CHARGE, THE USER EMPLOYS SUCH INFORMATION AT HIS OWN DISCRETION AND RISK. POSITRONIC ASSUMES NO RESPONSIBILITY FOR RESULTS OBTAINED OR DAMAGES INCURRED FROM USE OF SUCH INFORMATION IN WHOLE OR IN PART.

DATE	REV	REVISION RECORD	APP	DR	CK
8-16-06	NC	ECO 26532		YK	



NOTES:

- MATERIALS AND FINISHES:
 INSULATOR: GLASS-FILLED DAP PER ASTM-D-5948, TYPE SDG-F, GRAY COLOR.
 CONTACTS: COPPER ALLOY, 0.000010 [0.25 μ] GOLD OVER NICKEL PLATE.
 SPRING CLIP: PHOSPHOR BRONZE, GOLD FLASH OVER NICKEL PLATE.
- ELECTRICAL CHARACTERISTICS:
 CONTACT CURRENT RATING: 7.5 AMPS, MAXIMUM.
 INITIAL CONTACT RESISTANCE: 0.010 OHMS, MAXIMUM.
 INSULATION RESISTANCE: 5 G OHMS, MINIMUM.
- WORKING TEMPERATURE: -55°C TO 125°C.
- DIMENSIONS ARE IN INCHES [MILLIMETERS].



POSITRONIC INDUSTRIES INC.
 SPRINGFIELD, MISSOURI 65801

 DECIMAL TOL. ± 0.015 [0.38]	GF SERIES	SCALE N.T.S.	DRAWN BY YK
	APPROVED BY		
 ANGULAR TOL. ± 5°	TITLE GF2M00SCR		
	DATE 8-16-06	DRAWING NUMBER SK7878	REV. NC