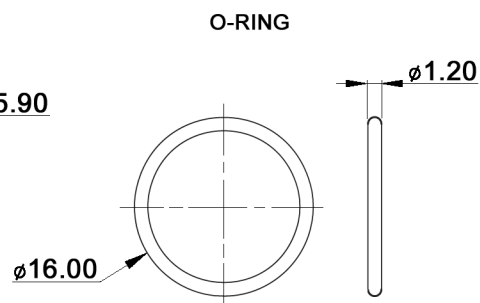
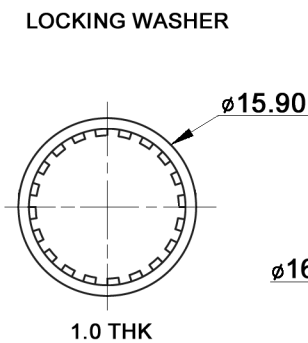
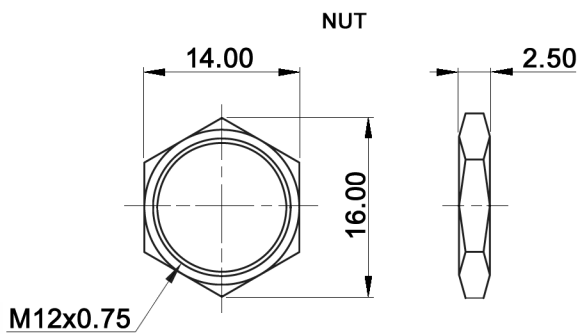
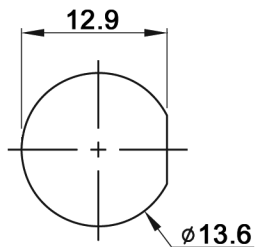


**HARDWARE:**



**PANEL CUT-OUT**



**SWITCH FUNCTION**

Model No.	POS. 1	POS. 2
	DPWL 1 CG	OFF
Term. Conn.	OPEN	SHORT

Compliance: RohS III (2015/863/EU)

Tolerances: 0.00: +0.25mm 0.0: +0.40mm	Date	Name
	01/14	dr
Accessory	10/19	dr
LED	05/17	dr
Modifications	Date	Name

**DPWL 1 CG D2D xy**

**knitter-switch**

**30 30 07**

Page

1/2

**Specifications:**

**Contact rating:** max.: 500mA, 48V AC; 200mA, 50V DC; 200mA, 250V AC  
**Contact resistance:** 50mOhm max.  
**Insulation resistance:** 1GOhm min. at 500V DC  
**Dielectric strength:** 1500V AC RMS  
**Operating temperature:** -30°C to +85°C  
**Mechanical life:** 1 000 000 cycles  
**Electrical life:** 500 000 cycles  
**Operating force:** 2N - 5N  
**Soldering conditions:** 350°C max., 5sec.  
**Total travel:** 1.5mm  
**Panel thickness:** 1.5mm min. - 4.0mm max.  
**Contact bounce:** 10ms  
**Torque:** 1.5Nm max. applied to nut  
**Material:** Case: diallyl phthalate (DAP) (UL94V-0)  
 Cap: polyamide 6/6  
 Bushing: zinc alloy, stain nickel plated  
 Terminal / contacts: gold plated over silver  
  
**IP rating:** IP 67

X=CAP COLOR	
W	white
K	black
R	red
O	orange
Y	yellow
G	green
B	blue

Y=LED COLOR	
W	white
R	red
Y	yellow
G	green
B	blue

Bi-color: ordering code on request

Lens appearance	Colour	Electro-optical data (at 20mA)				Peak wavelength	Viewing angle
		Vf (V)		Iv (mcd)			
		Typ.	max.	Typ.	min.		
Water clear	super white	2.8	3.3	200.0	100.0	x=0.27 y=0.27	35°
	super red	2.0	2.5	700.0	200.0	645.0	
	yellow	2.1	2.6	100.0	55.0	589.0	
	green	2.2	2.7	130.0	70.0	565.0	
	super blue	3.1	3.6	580.0	250.0	460.0	
	super yellow	2.0	2.6	475.0	210.0	590.0	
	super green	2.0	2.6	210.0	140.0	570.0	
	super yellow	2.1	2.6	200.0	94.0	590.0	
	super blue	3.2	3.6	200.0	94.0	460.0	
	super yellow	2.1	2.6	100.0	63.0	590.0	
	super red	2.0	2.6	90.0	42.0	630.0	
	super red	2.0	2.6	90.0	42.0	630.0	
	super green	2.0	2.6	90.0	42.0	570.0	
	super red	2.0	2.6	90.0	42.0	630.0	
	super blue	3.2	3.6	200.0	94.0	460.0	
super green	2.0	2.6	100.0	42.0	570.0		
super blue	3.2	3.6	200.0	94.0	460.0		

**Compliance: RohS III (2015/863/EU)**

Tolerances: 0.00: +0.25mm 0.0: +0.40mm		Date	Name	<b>DPWL 1 CG D2D xy</b>	
		01/14	dr		
Accessory	10/19	dr	<b>knitter-switch</b>	<b>30 30 07</b>	Page
LED	05/17	dr			2/2
Modifications	Date	Name			