

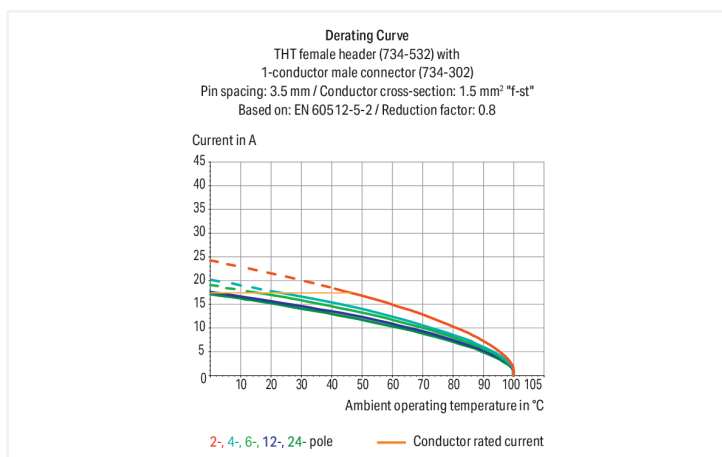
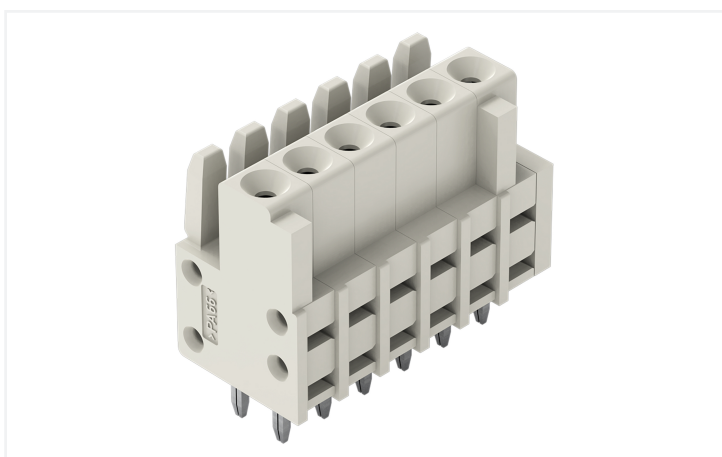
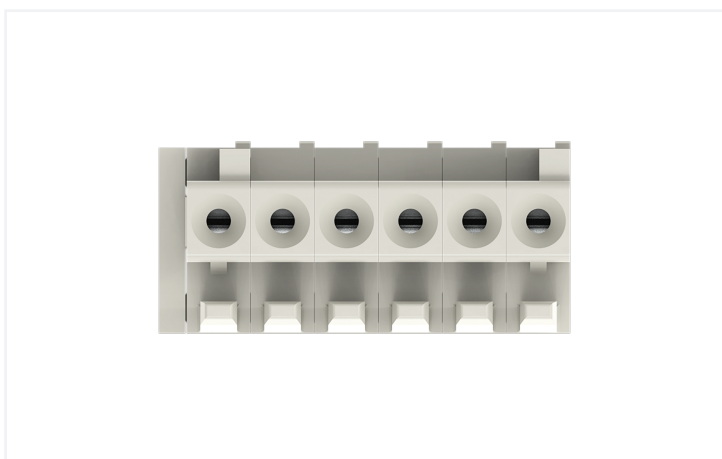
# Data Sheet | Item Number: 734-466

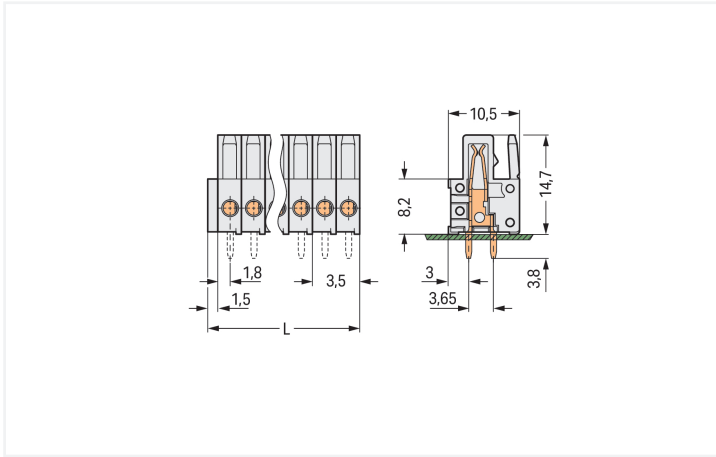
THT female header; straight; Pin spacing 3.5 mm; 6-pole; 100% protected against mis-mating; 0.9 x 0.9 mm solder pin; light gray

<https://www.wago.com/734-466>



Color: ■ light gray





Dimensions in mm

L = (pole no. x pin spacing) + 1.5 mm

Female connector, 734 Series, light gray

Enjoy fault-free electrical installations with this female connector (item number 734-466). The dimensions are (22.5 x 18.5 x 10.5) mm (width x height x depth).

Tin is used for coating the contact surfaces. THT is used to solder the pcb connector.

**Notes**

**Safety Information**

The MCS – MULTI CONNECTION SYSTEM includes connectors without breaking capacity in accordance with DIN EN 61984. When used as intended, these connectors must not be connected/disconnected when live or under load. When used as intended, these connectors must not be connected/disconnected when live or under load. The circuit design should ensure header pins, which can be touched, are not live when unmated.

**Variants:**

Other pole numbers  
 Gold-plated or partially gold-plated contact surfaces  
 Other versions (or variants) can be requested from WAGO Sales or configured at <https://configurator.wago.com/>.

**Electrical data**

| Ratings per                     | IEC/EN 60664-1 |        |        |
|---------------------------------|----------------|--------|--------|
| Oversoltage category            | III            | III    | II     |
| Pollution degree                | 3              | 2      | 2      |
| Nominal voltage                 | 160 V          | 160 V  | 320 V  |
| Rated impulse withstand voltage | 2.5 kV         | 2.5 kV | 2.5 kV |
| Rated current                   | 10 A           | 10 A   | 10 A   |

| Approvals per | UL 1059 |   |       |
|---------------|---------|---|-------|
| Use group     | B       | C | D     |
| Rated voltage | 300 V   | - | 300 V |
| Rated current | 10 A    | - | 10 A  |

| Approvals per | CSA   |   |       |
|---------------|-------|---|-------|
| Use group     | B     | C | D     |
| Rated voltage | 300 V | - | 300 V |
| Rated current | 10 A  | - | 10 A  |

**Connection Data**

|                            |   |
|----------------------------|---|
| Clamping units             | 6 |
| Total number of potentials | 6 |
| Number of connection types | 1 |
| Number of levels           | 1 |

| Connection 1 |   |
|--------------|---|
| Pole number  | 6 |

### Physical data

|                         |                          |
|-------------------------|--------------------------|
| Pin spacing             | 3.5 mm / 0.138 inches    |
| Width                   | 22.5 mm / 0.886 inches   |
| Height                  | 18.5 mm / 0.728 inches   |
| Height from the surface | 14.7 mm / 0.579 inches   |
| Depth                   | 10.5 mm / 0.413 inches   |
| Solder pin length       | 3.8 mm                   |
| Solder pin dimensions   | 0.9 x 0.9 mm             |
| Drilled hole diameter   | 1.4 <sup>(+0.1)</sup> mm |

### Mechanical data

|                          |     |
|--------------------------|-----|
| Variable coding          | Yes |
| Anti-rotation protection | Yes |

### Plug-in connection

|                                    |                         |
|------------------------------------|-------------------------|
| Contact type (pluggable connector) | Female connector/socket |
| Connector (connection type)        | for PCB                 |
| Mismating protection               | Yes                     |
| Mating direction to the PCB        | 90 °                    |

### PCB contact

|                                     |  |
|-------------------------------------|--|
| PCB contact                         | THT  |
| Solder pin arrangement              | over the entire female connector (in-line) |
| Number of solder pins per potential | 1  |

### Material data

|                                    |  |
|------------------------------------|--|
| Note (material data)               | <a href="#">Information on material specifications can be found here</a> |
| Color                              | light gray   |
| Material group                     | I  |
| Insulation material (main housing) | Polyamide (PA66)   |
| Flammability class per UL94        | V0   |
| Contact material                   | Copper alloy   |
| Contact Plating                    | Tin  |
| Fire load                          | 0.045 MJ   |
| Weight                             | 3.2 g  |

### Environmental requirements

|                         |                 |
|-------------------------|-----------------|
| Limit temperature range | -60 ... +100 °C |
| Processing temperature  | -35 ... +60 °C  |

### Commercial data

|                       |                        |
|-----------------------|------------------------|
| Product Group         | 3 (Multi Conn. System) |
| PU (SPU)              | 100 pcs                |
| Packaging type        | Box                    |
| Country of origin     | PL                     |
| GTIN                  | 4044918999861          |
| Customs tariff number | 85366990990            |

**Product Classification**

|             |                      |
|-------------|----------------------|
| UNSPSC      | 39121409             |
| eCl@ss 10.0 | 27-44-04-02          |
| eCl@ss 9.0  | 27-44-04-02          |
| ETIM 9.0    | EC002637             |
| ETIM 10.0   | EC002637             |
| ECCN        | NO US CLASSIFICATION |

**Environmental Product Compliance**

|                        |                         |
|------------------------|-------------------------|
| RoHS Compliance Status | Compliant, No Exemption |
|------------------------|-------------------------|

**Approvals / Certificates**

**General approvals**



| Approval                              | Standard | Certificate Name       |
|---------------------------------------|----------|------------------------|
| CB<br>DEKRA Certification B.V.        | EN 61984 | NL-54190               |
| CSA<br>DEKRA Certification B.V.       | C22.2    | 1465035                |
| KEMA/KEUR<br>DEKRA Certification B.V. | EN 61984 | 71-105522              |
| UL<br>Underwriters Laboratories Inc.  | UL 1977  | E 45171                |
| UL<br>Underwriters Laboratories Inc.  | UL 1059  | UL-US-L45172-6187124-1 |

**Approvals for marine applications**



| Approval                      | Standard  | Certificate Name  |
|-------------------------------|-----------|-------------------|
| DNV<br>DNV GL SE              | -         | TAE000016Z        |
| LR<br>Lloyds Register         | IEC 61984 | 96/20035 (E5)     |
| PRS<br>Polski Rejestr Statków | -         | TE/1095/880590/23 |

**Downloads**

**Environmental Product Compliance**

| Compliance Search                        |
|--|
| Environmental Product Compliance 734-466 |

**Documentation**

| Additional Information                            |
|---|
| Technical Section<br>03.04.2019 pdf<br>2027.26 KB |

**CAD/CAE-Data**

**CAD data**

2D/3D Models 734-466



**CAE data**

EPLAN Data Portal  
734-466



ZUKEN Portal 734-466



**PCB Design**

Symbol and Footprint via  
SamacSys 734-466



Symbol and Footprint via  
Ultra Librarian 734-466

