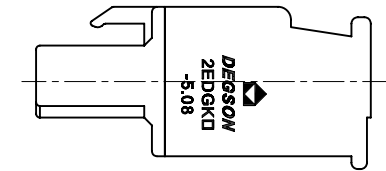
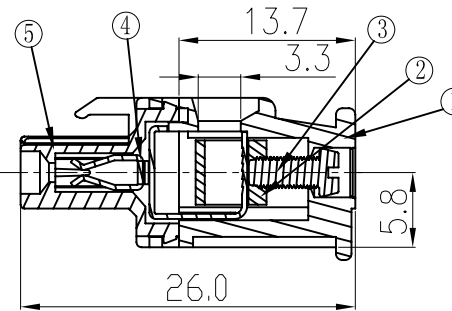
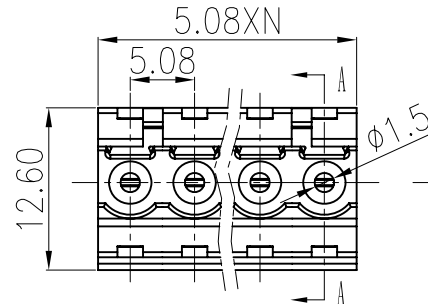
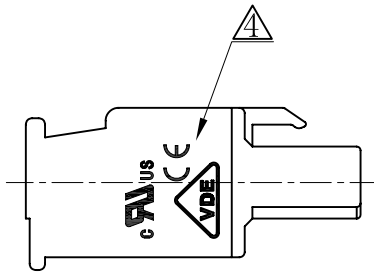
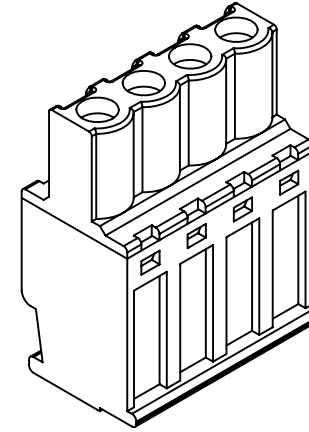
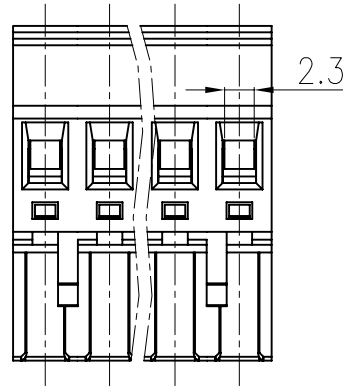


REVISION RECORD					
REV	ECO	DESCRIPTION	DRFT	DATE	
△		Drawing emend	CSX	04/18/06*	
△		工程变更	CSX	11/30/06*	
△		增加UL刻字	CSX	03/12/07*	
△		增加VDE、CE刻字	WLM	02/10/09*	



Section B-B

Notes:

- Pitch:5.08mm ,Poles:2-24P
- Rated voltage/current:UL 300V/15A
VDE 320V/10A
- Operation temperatures:-45°C~+105°C
- Withstanding Voltage:AC2000V/1min
- Insulation Resistance:5000Ω /DC1000V
- Wire Range:28~12AWG, 2.5mm²
- Max. Torque Value:M2.5, 4.08kgf.cm
- Undimensioned Tolerances:

Pitch range in mm		Nominal dimension range in mm					
to	over	to	over	to	over	to	
6	6 to 10	10	30 to 60	60	100 to 150	150	□
±0.10	±0.15	±0.25	±0.2	±0.3	±0.5	±0.7	±1.0/0.05/10

ITEM	NAME OF PART	NO. OF PART	Q"TY	MATERIAL	NOTES
5	2EDGKA/B-5.08 (H) COVER	1028COYXXA (H)	1	PA66	UL94V-0
4	2EDGKA/B-CLAMP	1028B00010 (H)	XX	Phoshor Bronze	Ni plated
3	2EDG "—"SCREW-M2.5	S000000980 △	XX	Stell	Cr ³⁺ Zn
2	DG128 CAGE	X000000020 (H)	XX	Brass	Ni plated

ITEM	NAME OF PART	NO. OF PART	Q"TY	MATERIAL	NOTES
1	2EDGKA/B-5.08 (H) HOUSING	1028A0YXXA (H)	1	PA66	UL94V-0

TOLERANCES EXCEPT AS NOTED MM (INCH) .0 ± .00 ± .000 ±	DFTO HW CHKD MFO APPVL	DATE 10/06/05* DATE DATE DATE	NAME DEGSON 宁波高正电子有限公司 DEGSON ELECTRONICS CO., LTD
ANGLES ± 1' THIRD ANGLE PROJECTION	MATERIAL : G.E : FINISH : SCALE :	DATE DATE DATE	
NAME 2EDGKA-5.08-XXP-1Y-00A(H)			DRAWING NO. 2EDGKA-5.08-E03 /PART NO.
DO NOT SCALE DRAWING			SHEET 1 OF 1