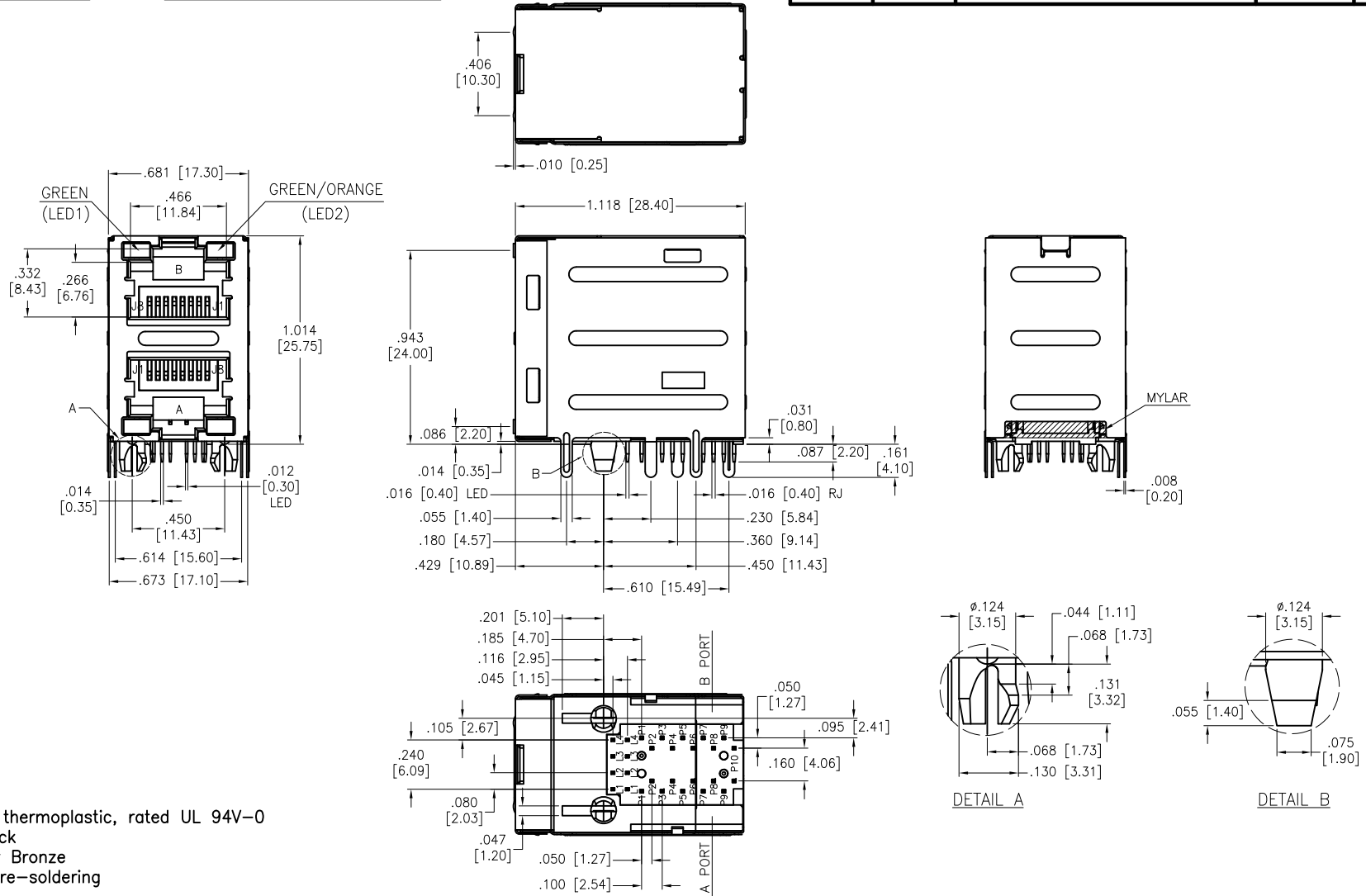


APPROVED: \_\_\_\_\_

DATE: \_\_\_\_\_ TITLE: \_\_\_\_\_

Rev	AWO #	Description	Date	Appr
-		RELEASED	7/2/15	
A		UPDATE DRAWING	8/30/21	WX/RC



**SPECIFICATIONS:**

Material:  
 Insulator: Hi-temp thermoplastic, rated UL 94V-0  
 Insulator color: Black  
 Contacts: Phosphor Bronze  
 Shield: Stainless, Pre-soldering  
 Contact Plating:  
 Flat contact

Gold over Nickel underplate on contact area,  
 Tin over Copper underplate on solder tails  
 Round contact

Gold over Nickel underplate overall  
 Electrical:

Insulation resistance: 500 Mohms min  
 Dielectric withstanding voltage: 1,000 VDC for 1 minute  
 Temperature Rating:  
 Operating temperature: 0°C to +70°C

Environmental:  
 Lead free, RoHS compliant.



UNLESS OTHERWISE SPECIFIED ALL DIMENSIONS ARE INCHES [MM]. TOLERANCES: EXCEPT AS NOTED

INCHES	HOLES
.X ± .10	ØX ± .10
.XX ± .020	ØXX ± .015
.XXX ± .015	ØXXX ± .010



909 Rahway Avenue,  
 Union, NJ 07083  
 Phone: 908-687-5000  
 Fax: 908-687-5710

DRAWN	HR	7/2/15
CHECKED	NP	7/2/15
APPROVED		

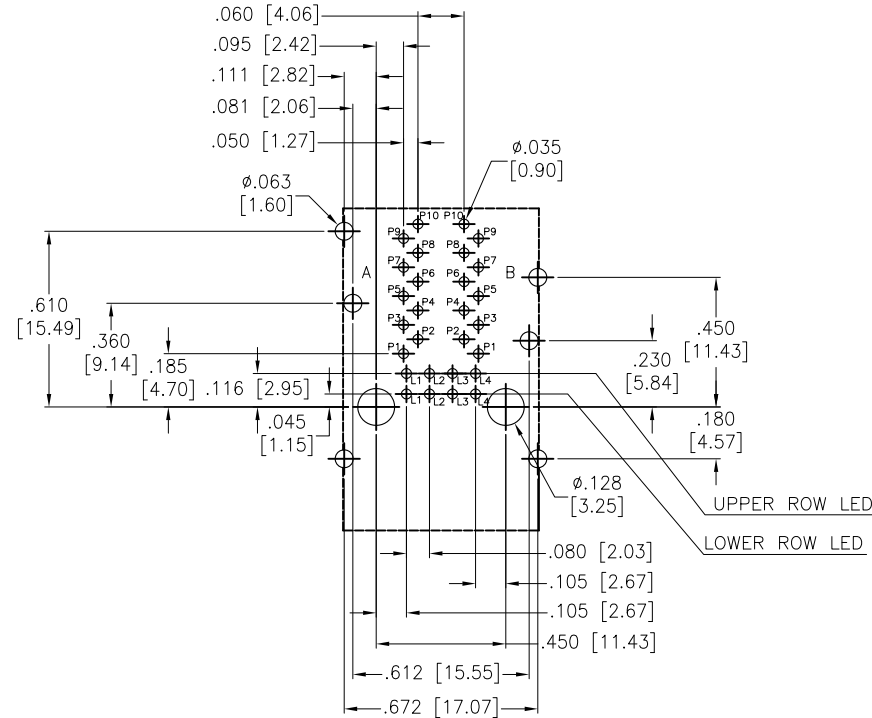
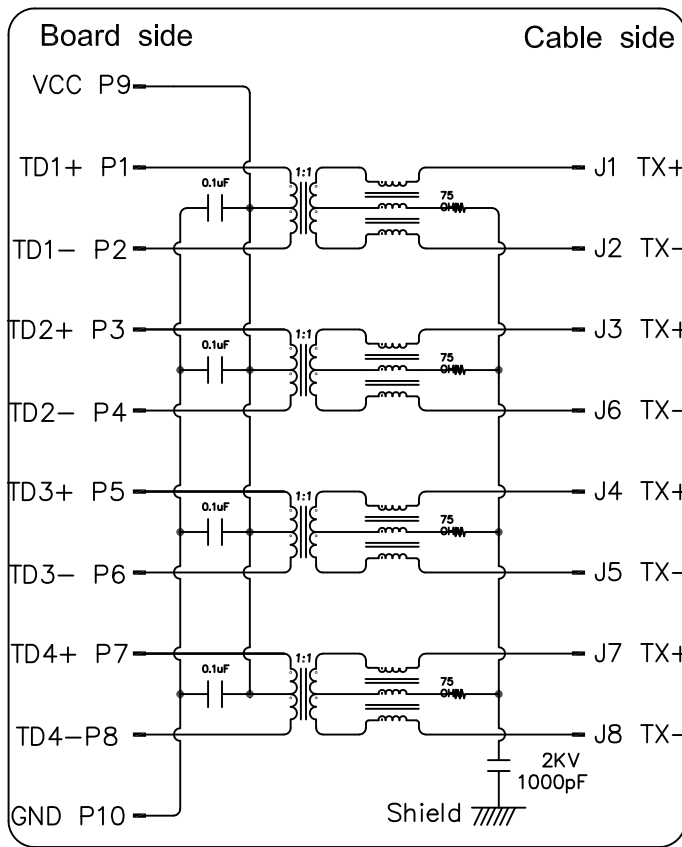
TITLE	SIZE	PART NO.	REV.
MODULAR JACK GANGED, 2X1 PORT, 8P8C W/LED1 GREEN, LED2 GREEN / ORANGE	X	MTJG-2-88JX1-V-FSG-L36-M268Y	A

THIS DRAWING CONTAINS INFORMATION THAT IS PROPRIETARY AND SHOULD NOT BE USED WITHOUT PRIOR WRITTEN PERMISSION FROM ADAM TECH

REF:	SCALE:	SHEET
S00101C	NTS	1 OF 2

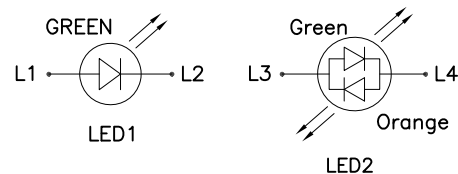
APPROVED: \_\_\_\_\_  
 DATE: \_\_\_\_\_ TITLE: \_\_\_\_\_

Rev	AWO #	Description	Date	Appr
SEE SHT 1 OF 2 FOR REVISION				



**ELECTRICAL CHARACTERISTICS :**

1. INSERTION LOSS :  
 - 1~100 MHz -1.0dB MAX.
2. RETURN LOSS(LOAD 100Ω) :  
 - 1~30 MHz -18dB MIN  
 - 30~60 MHz -16dB MIN  
 - 60~80 MHz -12dB MIN  
 - 80~100 MHz -10dB MIN
3. COMMON MODE REJECTION  
 - 1~100 MHz -30dB MIN
4. CROSS TALK  
 - 1~100 MHz -30dB MIN
5. OCL @ 100KHz, 0.1V, 8mA DC BIAS  
 - (P1-P2),(P3-P4),(P5-P6),(P7-P8) : 350 uH MIN
6. DCR  
 - (J1-J2),(J3-J6),(J4-J5),(J7-J8) : 1.2Ω MAX
7. HI-POT TEST  
 - PCB SIDE TO CABLE SIDE : 1500VAC 60S OR 2250VDC 60S
8. TURNS RATION 100KHz  
 - (P1-P2) : (J1-J2) = 1:1 ±5%  
 - (P3-P4) : (J3-J6) = 1:1 ±5%  
 - (P5-P6) : (J4-J5) = 1:1 ±5%  
 - (P7-P8) : (J7-J8) = 1:1 ±5%



UNLESS OTHERWISE SPECIFIED ALL DIMENSIONS ARE INCHES [MM]. TOLERANCES: EXCEPT AS NOTED

INCHES	HOLES
.X ± .10	∅X ± .10
.XX ± .020	∅XX ± .015
.XXX ± .015	∅XXX ± .010

**ADAM TECH** 909 Rahway Avenue,  
 Union, NJ 07083  
 Phone: 908-687-5000  
 Fax: 908-687-5710

DRAWN	HR	7/2/15
CHECKED	NP	7/2/15
APPROVED		

TITLE	MODULAR JACK GANGED, 2X1 PORT, 8P8C W/LED1 GREEN, LED2 GREEN / ORANGE		
SIZE	PART NO.	REV.	
X	MTJG-2-88JX1-V-FSG-L36-M268Y	A	

THIS DRAWING CONTAINS INFORMATION THAT IS PROPRIETARY AND SHOULD NOT BE USED WITHOUT PRIOR WRITTEN PERMISSION FROM ADAM TECH

REF: S00101C	SCALE: NTS	SHEET 2 OF 2
--------------	------------	--------------